



Chipsmall Limited consists of a professional team with an average of over 10 year of expertise in the distribution of electronic components. Based in Hongkong, we have already established firm and mutual-benefit business relationships with customers from,Europe,America and south Asia,supplying obsolete and hard-to-find components to meet their specific needs.

With the principle of “Quality Parts,Customers Priority,Honest Operation,and Considerate Service”,our business mainly focus on the distribution of electronic components. Line cards we deal with include Microchip,ALPS,ROHM,Xilinx,Pulse,ON,Everlight and Freescale. Main products comprise IC,Modules,Potentiometer,IC Socket,Relay,Connector.Our parts cover such applications as commercial,industrial, and automotives areas.

We are looking forward to setting up business relationship with you and hope to provide you with the best service and solution. Let us make a better world for our industry!



Contact us

Tel: +86-755-8981 8866 Fax: +86-755-8427 6832

Email & Skype: info@chipsmall.com Web: www.chipsmall.com

Address: A1208, Overseas Decoration Building, #122 Zhenhua RD., Futian, Shenzhen, China



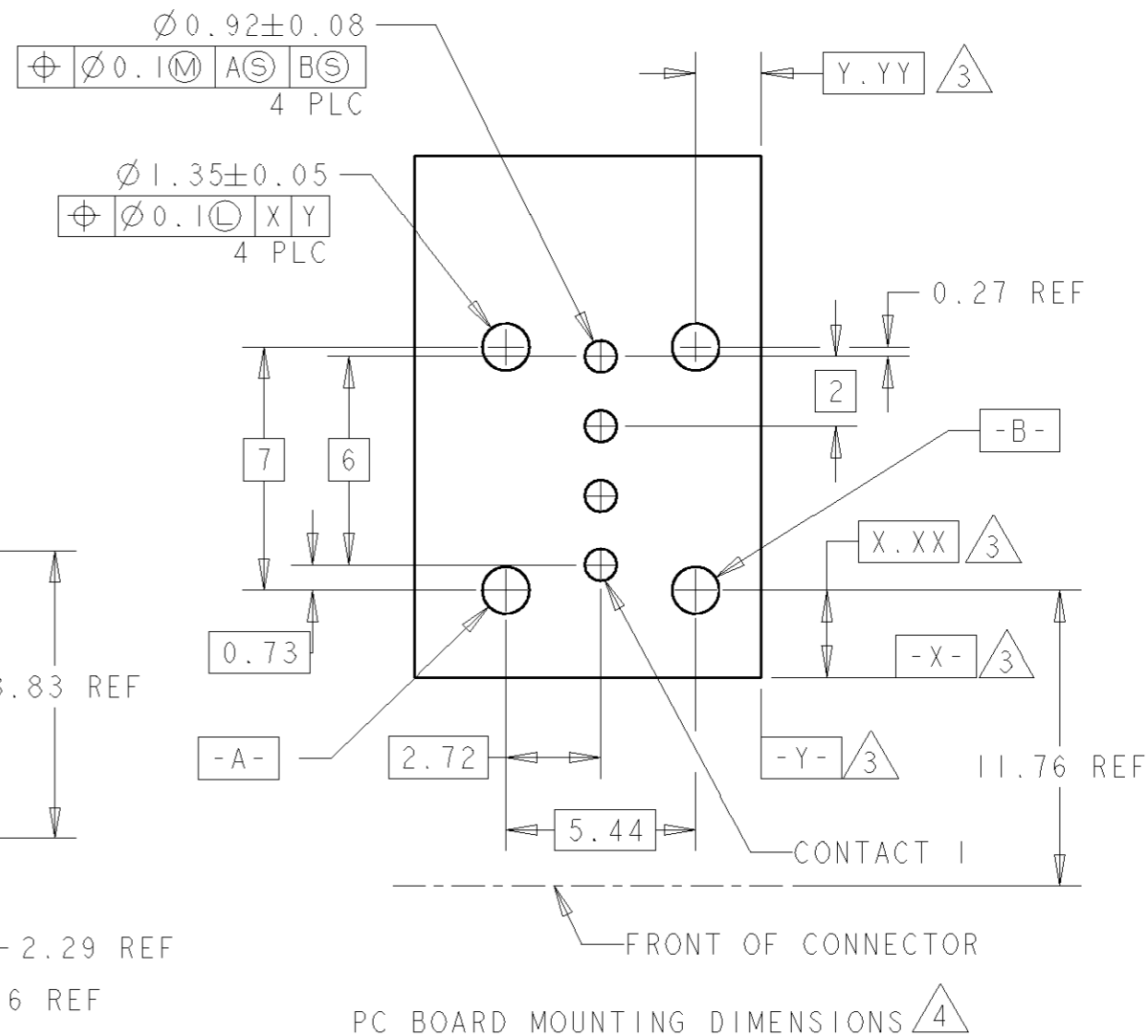
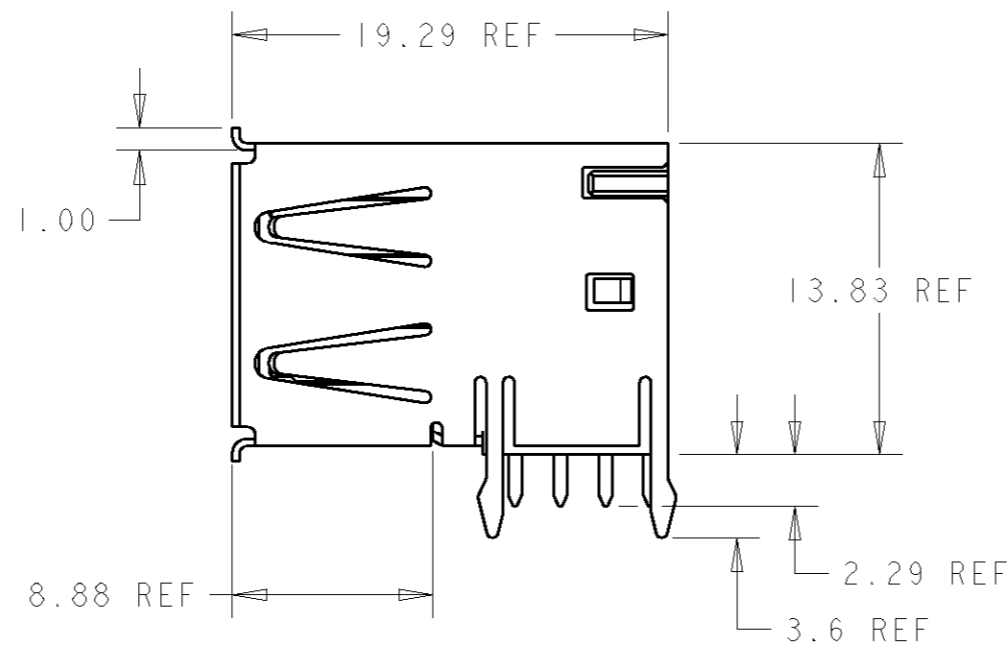
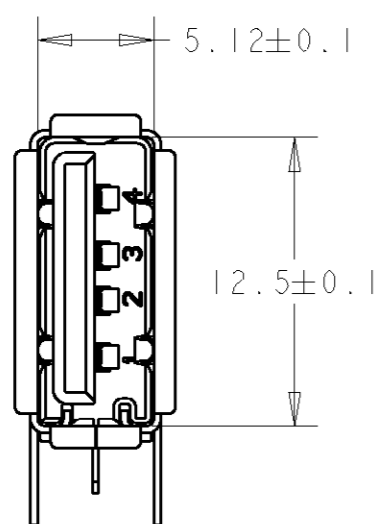
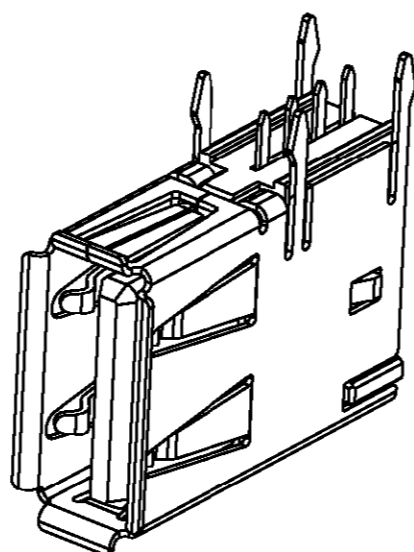
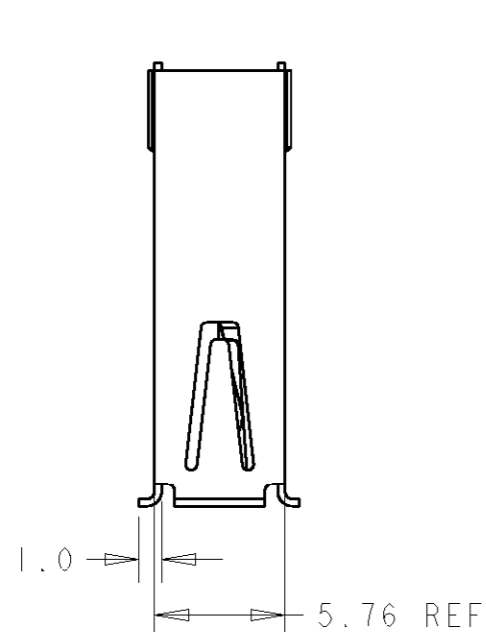
THIS DRAWING IS UNPUBLISHED.

RELEASED FOR PUBLICATION

© COPYRIGHT


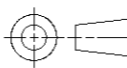
ALL RIGHTS RESERVED.

LOC	DIST	REVISIONS			
P	LTR	DESCRIPTION	DATE	DWN	APVD
GP	00	C1	REVISED PER ECO-11-005294	11APR11	RK HMR



- 1 MATERIAL:
CONTACTS- PHOSPHOR BRONZE.
SHELL- COPPER ALLOY.
- 2 PLATING:
CONTACTS- 0.076µm MINIMUM GOLD OVER 0.76µm MINIMUM PALLADIUM-NICKEL ON MATING AREA, 3.8µm MINIMUM TIN-LEAD ON SOLDER TAILS, BOTH OVER 1.27µm MINIMUM NICKEL.
SHELL- 5µm MINIMUM BRIGHT TIN.
CONTACT ALTERNATE PLATING: 0.76µm MINIMUM GOLD ON MATING AREA.
- 3 DATUMS AND BASIC DIMENSIONS ESTABLISHED BY CUSTOMER.
- 4 RECOMMENDED PC BOARD THICKNESS OF 1.57±0.18.
- 5 HOUSING- UL 94V-0 RATED THERMOPLASTIC, NATURAL.
- 6 HOUSING- UL 94V-0 RATED, THERMOPLASTIC, BLACK.

1	5	440260-2
1	6	440260-1
MATERIAL		PART NUMBER

DIMENSIONS: mm		TOLERANCES UNLESS OTHERWISE SPECIFIED:		DWN J. Reitzel 28FEB2003	 TE Connectivity
		0 PLC ±-	1 PLC ±-	CHK J. GERACE 28FEB2003	
MATERIAL SEE TABLE		2 PLC ±0.13	3 PLC ±-	APVD M. WALMSLEY 28FEB2003	
		4 PLC ±-	ANGLES ±-	PRODUCT SPEC	
		FINISH	-	APPLICATION SPEC	NAME RECEPTACLE ASSEMBLY. RIGHT ANGLE FLAG, 4 POSITION, THRU-HOLE, USB
				WEIGHT	SIZE A3
				CUSTOMER DRAWING	CAGE CODE 00779
					DRAWING NO C=440260
					RESTRICTED TO
					SCALE 5:1
					SHEET 1
					OF 1
					REV C1