



Chipsmall Limited consists of a professional team with an average of over 10 year of expertise in the distribution of electronic components. Based in Hongkong, we have already established firm and mutual-benefit business relationships with customers from,Europe,America and south Asia,supplying obsolete and hard-to-find components to meet their specific needs.

With the principle of “Quality Parts,Customers Priority,Honest Operation,and Considerate Service”,our business mainly focus on the distribution of electronic components. Line cards we deal with include Microchip,ALPS,ROHM,Xilinx,Pulse,ON,Everlight and Freescale. Main products comprise IC,Modules,Potentiometer,IC Socket,Relay,Connector.Our parts cover such applications as commercial,industrial, and automotives areas.

We are looking forward to setting up business relationship with you and hope to provide you with the best service and solution. Let us make a better world for our industry!



Contact us

Tel: +86-755-8981 8866 Fax: +86-755-8427 6832

Email & Skype: info@chipsmall.com Web: www.chipsmall.com

Address: A1208, Overseas Decoration Building, #122 Zhenhua RD., Futian, Shenzhen, China



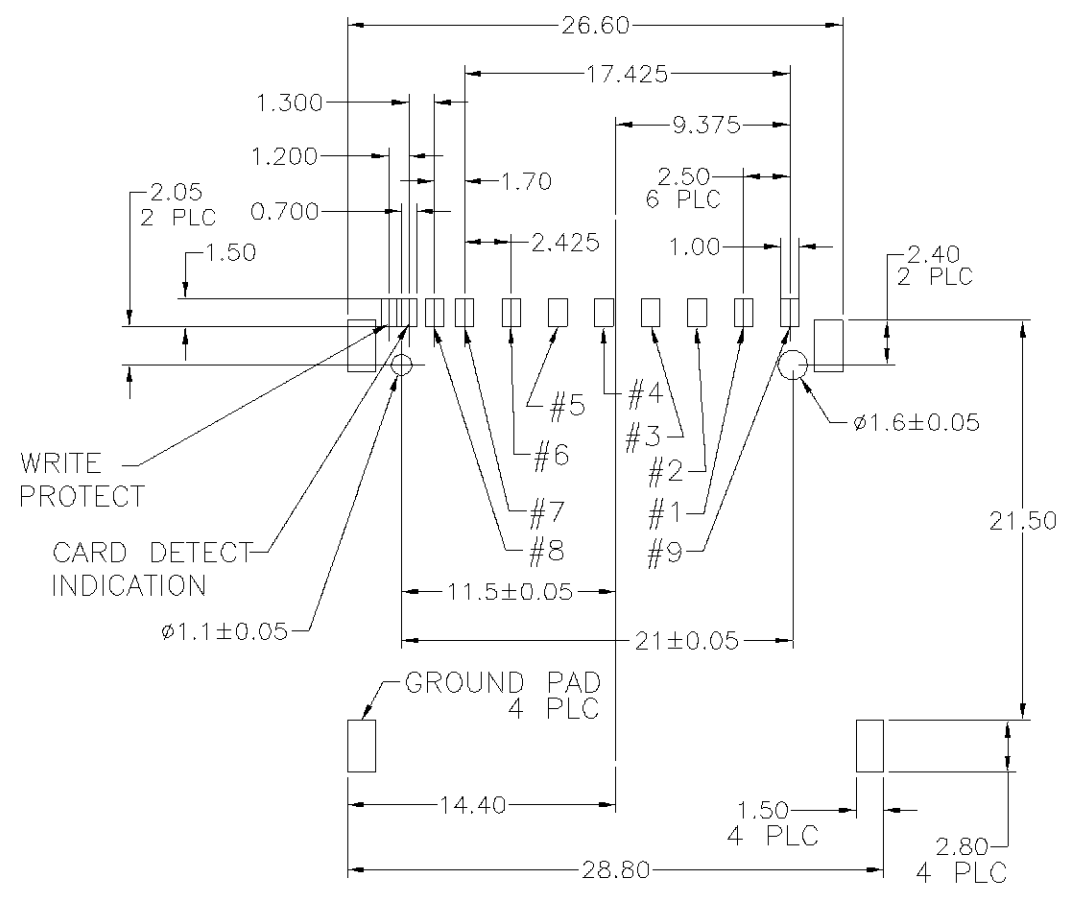
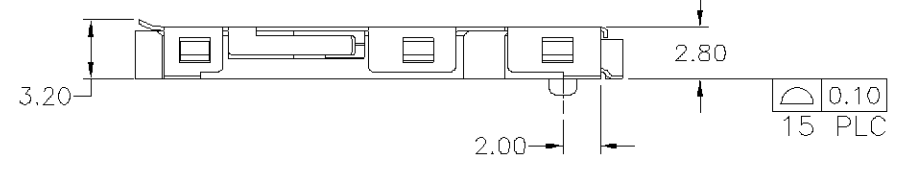
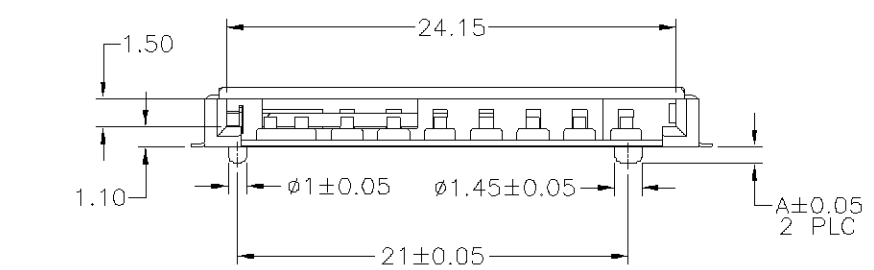
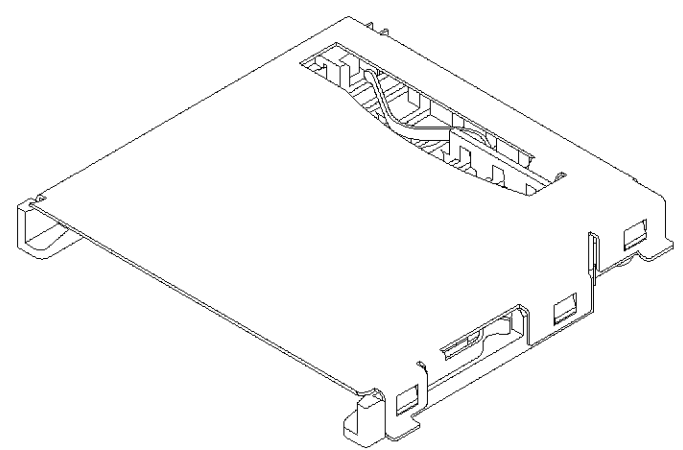
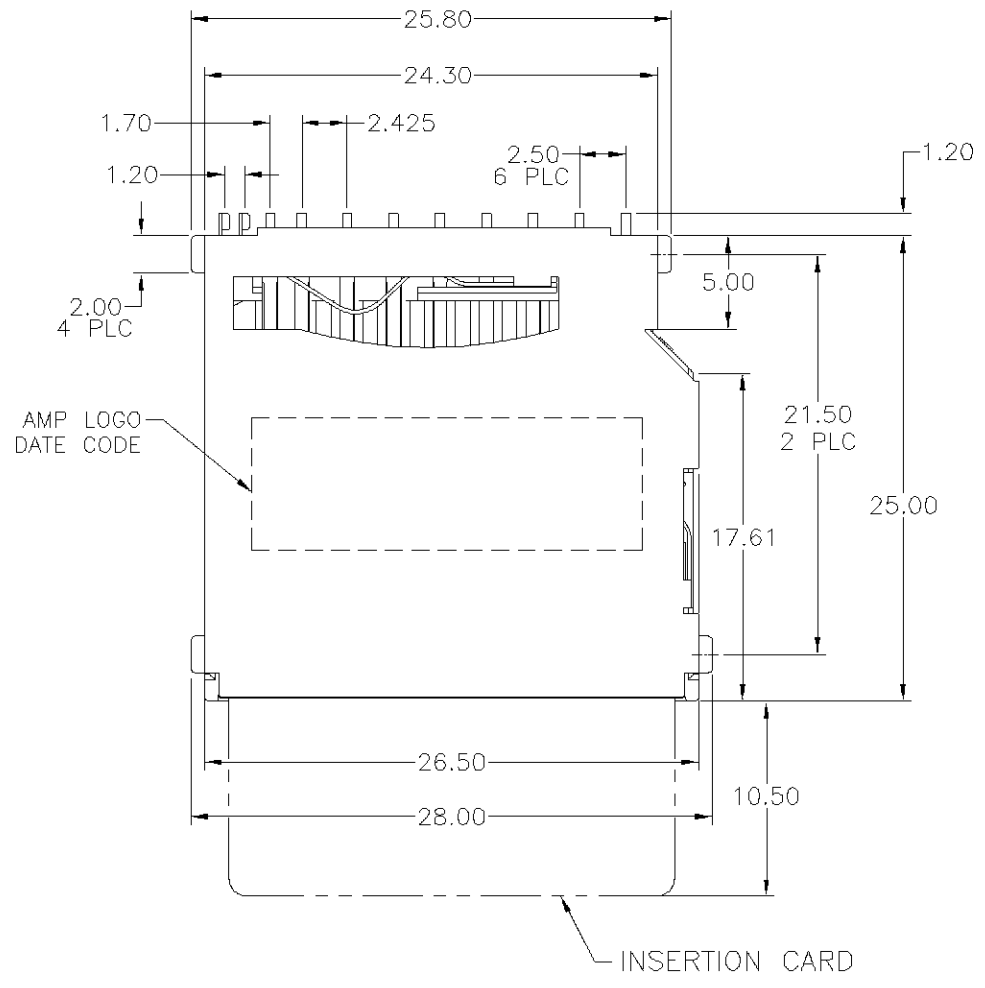
NUMBER
C-440297

METRIC
3RD ANGLE PROJECTION

METRIC

THIS INFORMATION IS CONFIDENTIAL AND IS DISCLOSED TO YOU ON CONDITION THAT NO FURTHER DISCLOSURE IS MADE BY YOU TO OTHER THAN AMP PERSONNEL WITHOUT WRITTEN AUTHORIZATION FROM AMP (TAIWAN) LTD. DIMENSION IN MILLIMETERS. DO NOT SCALE PRINT.

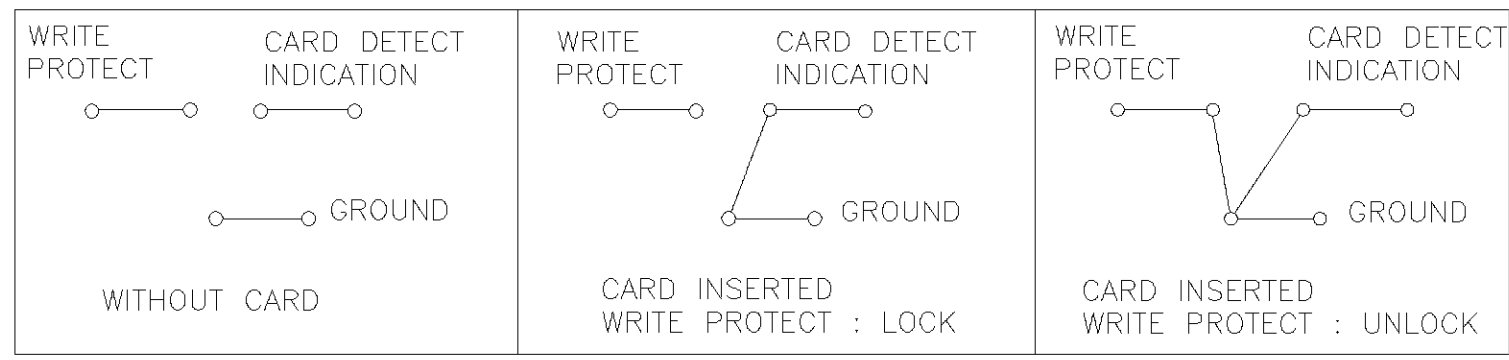
PRINT
DW



RECOMMENDED PCB LAYOUT
(TOLERANCE: ±0.1)

- NOTE:
- MATERIAL:
HOUSING: THERMOPLASTIC UL 94V-0, COLOR: IVORY.
CONTACT: COPPER ALLOY.
SHIELD: STAINLESS STEEL.
 - FINISH:
CONTACT: 10u" MIN. GOLD PLATED IN CONTACT AREA, TIN-LEAD ON SOLDER TAILS, NICKEL UNDERPLATED ALL OVER.
SHIELD: GOLD PLATED IN SOLDERING AREA, ALL OVER NICKEL.
 - SWITCH: NORMALLY OPEN.
 - DURABILITY: 10000 CYCLES.
 - ELECTRICAL CHARACTERISTICS:
TERMINATION RESISTANCE: 100 MILLIOHM MAX.
WITHSTANDING VOLTAGE (DWV): 500 VAC.
INSULATION RESISTANCE: 1000 MOHM INITIAL AT 500 VDC.
OPERATING CURRENT: 0.5A MAX PER CONTACT.
OPERATING VOLTAGE: 5.0 VAC MAX.
 - OPERATING TEMPERATURE: -25°C TO 90°C

CIRCUIT :



0.45	TAPE REEL	440297-4
0.45	TRAY	440297-3
0.85	TAPE REEL	440297-2
0.85	TRAY	440297-1
DIM A	PACKAGING	PART NUMBER

DIMENSION :	DWN	J. CHENG		TYCO HOLDINGS (BERMUDA) VII LTD. TAIWAN BRANCH
	0 PLC ±0.5 1 PLC ±0.3 2 PLC ±0.2 3 PLC ±0.1 ANGLES ±5'	06-FEB-2003		
MATERIAL	APVD	J. WU	NAME	
	SEE NOTE	06-FEB-2003	SECURITY DIGITAL CARD CONNECTOR	
FINISH	PRODUCT SPEC	108-57127	LOC	
	SEE NOTE		SIZE	DRAWING NO
WEIGHT	APPLICATION SPEC	-	SCALE	SHEET
				1 OF 3

B	REVISED PCB LAYOUT	FZ00-0029-03	JC	JW	06FEB 2003
A	REVISED	FZ00-0091-01	AW	JC	14SEP 2001
O	FIRST RELEASED	FW00-0049-01	AW	JC	13APR 2001
LTR	REVISION RECORD	ECN	DWN	CHK	DATE

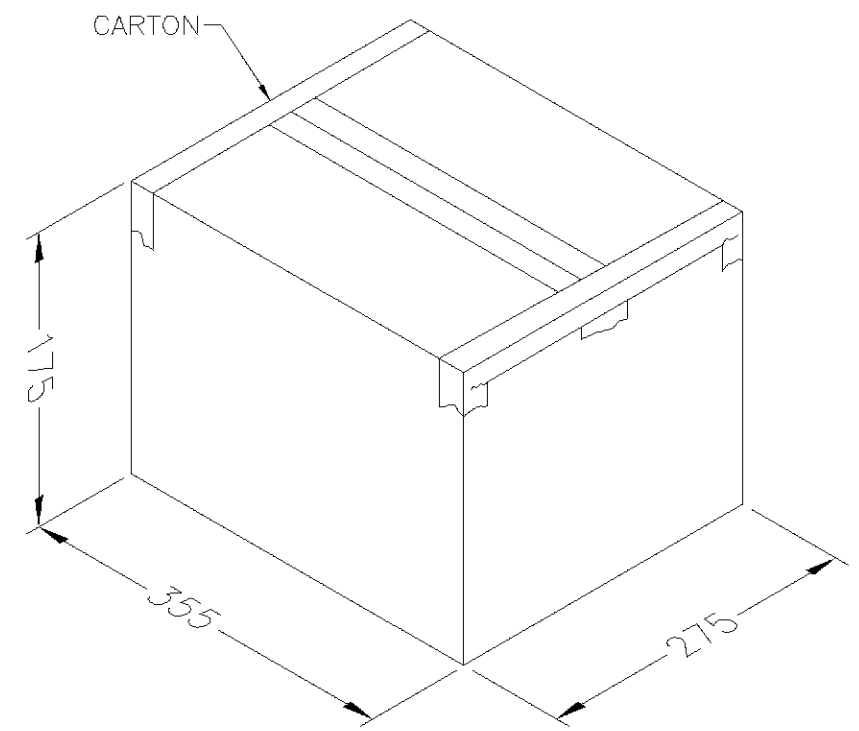
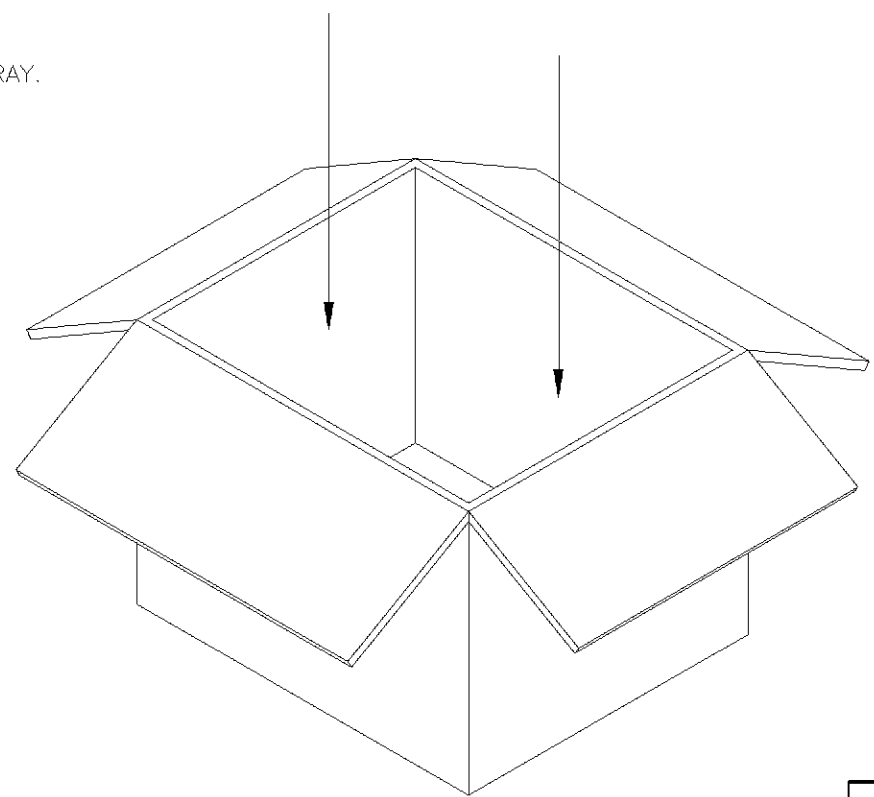
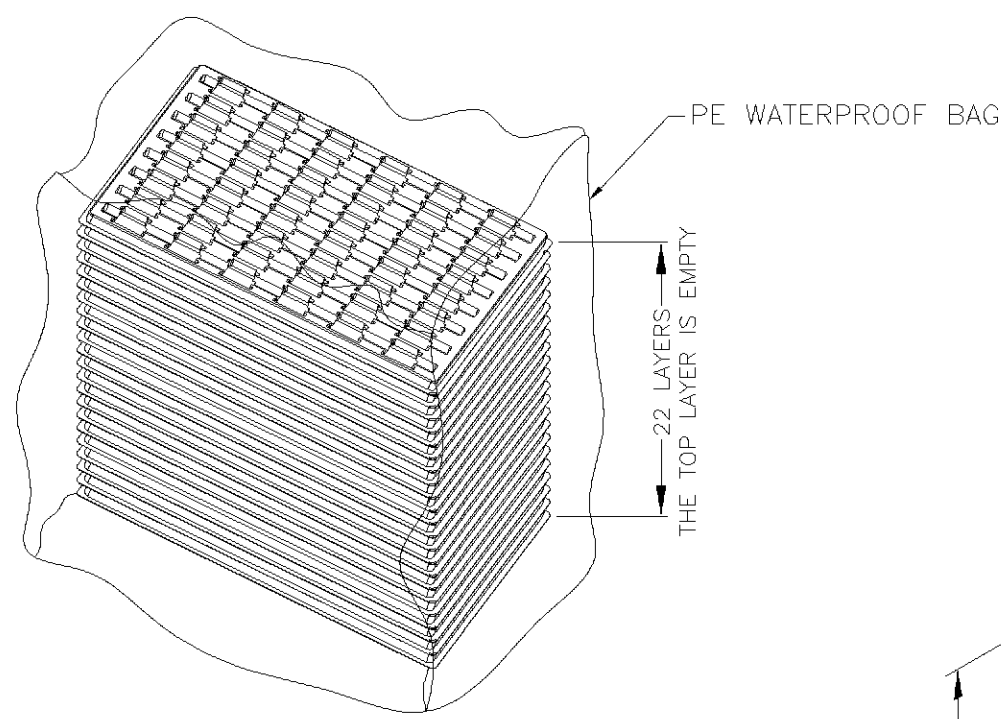
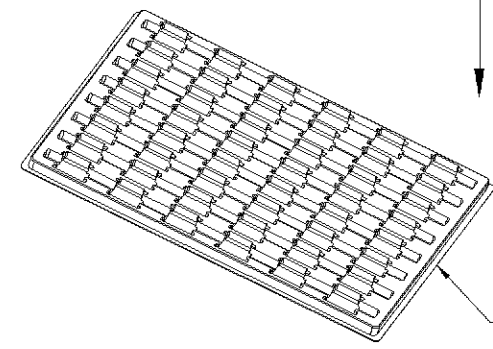
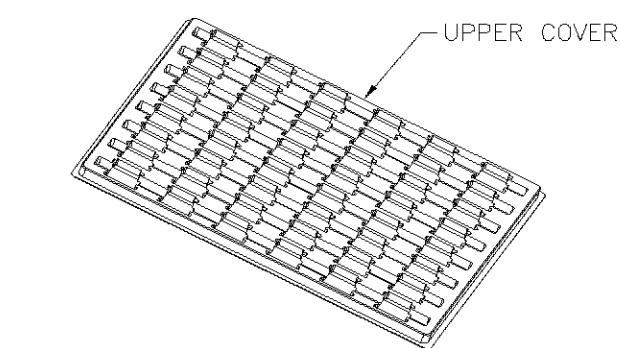
NUMBER
C-440297

3RD ANGLE PROJECTION

METRIC

THIS INFORMATION IS CONFIDENTIAL AND IS DISCLOSED TO YOU ON CONDITION THAT NO FURTHER DISCLOSURE IS MADE BY YOU TO OTHER THAN AMP PERSONNEL WITHOUT WRITTEN AUTHORIZATION FROM AMP (TAIWAN) LTD. DIMENSION IN MILLIMETERS. DO NOT SCALE PRINT.

PRINT DIST
DW



1000 PCS	3.6 KG
QUANTITY	WEIGHT

DIMENSION : 0 PLC ± 1 PLC ± 2 PLC ± 3 PLC ± ANGLES ±	DWN J. CHENG 06-FEB-2003	 TYCO HOLDINGS (BERMUDA) VII LTD. TAIWAN BRANCH			
	CHK J. WU 06-FEB-2003				
MATERIAL -	APVD J. WU 06-FEB-2003	NAME SECURITY DIGITAL CARD CONNECTOR			
	PRODUCT SPEC -				
FINISH -	APPLICATION SPEC -	LOC DW	SIZE A ₃	DRAWING NO C-440297	REV B
	WEIGHT	SCALE --	SHEET 2 OF 3		

SEE SHEET 1.	ECN	DWN CHK	DATE
LTR	REVISION RECORD		

D
C
B
A

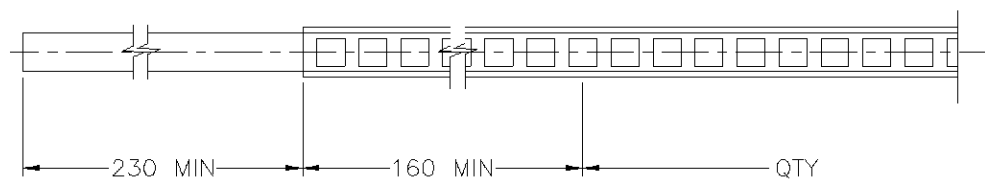
NUMBER
C-440297

3RD ANGLE PROJECTION

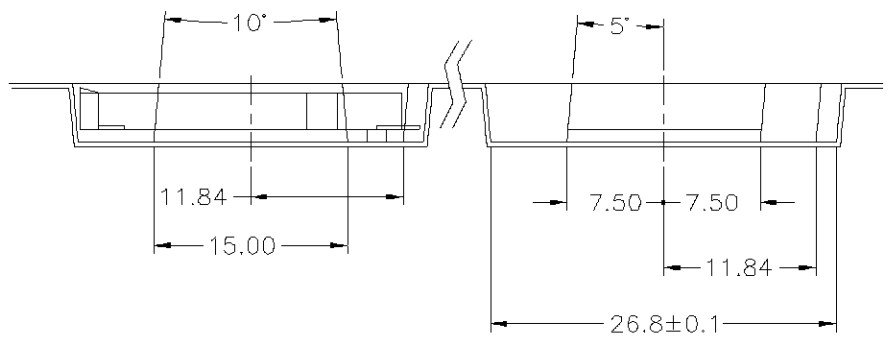
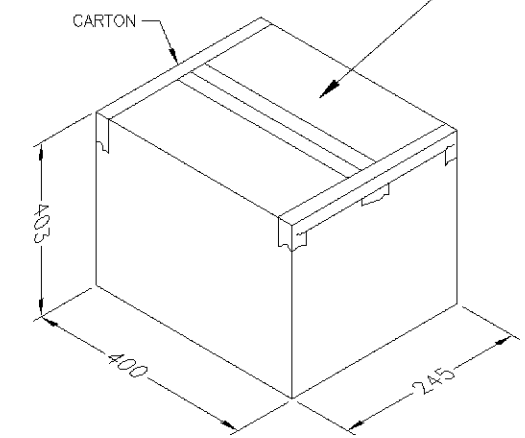
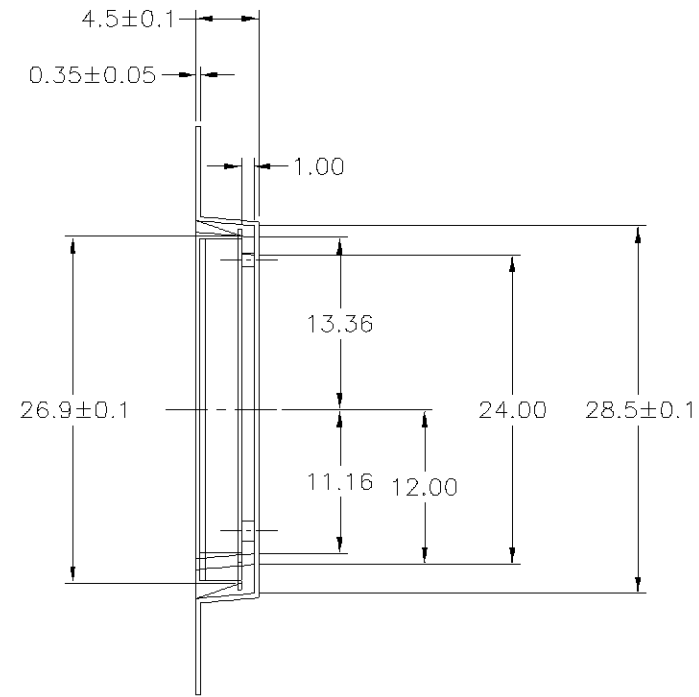
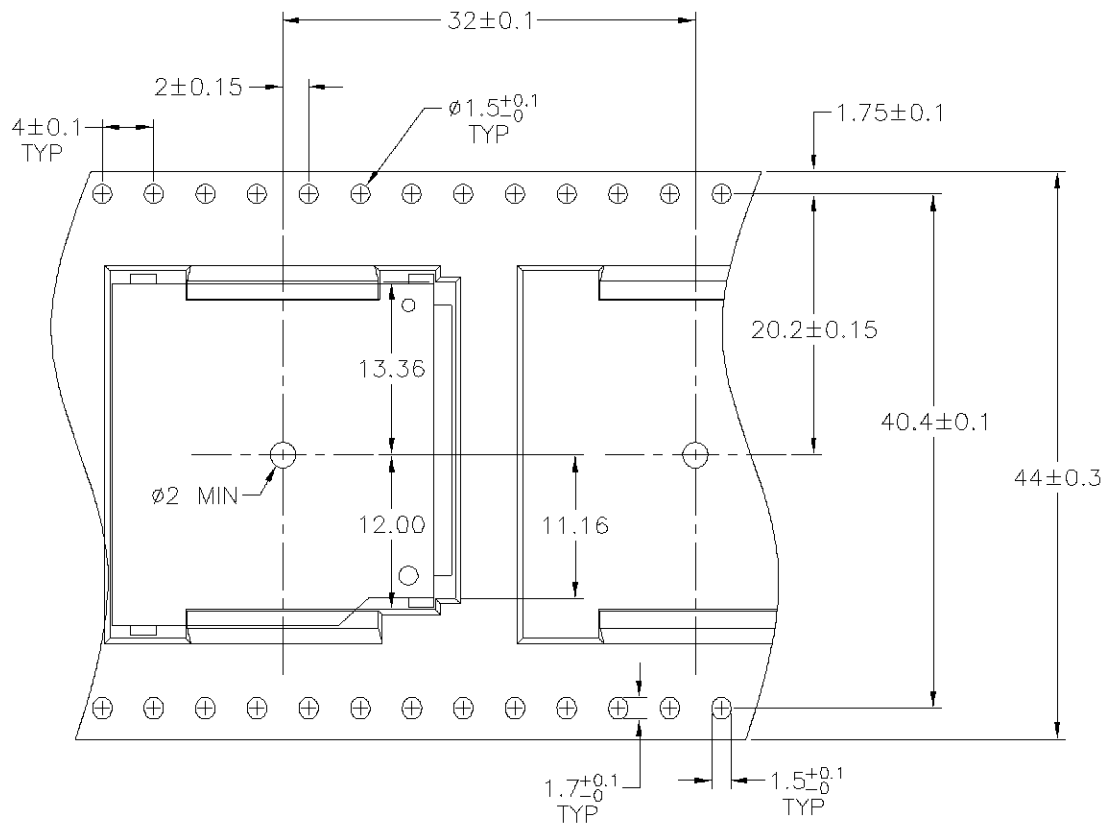
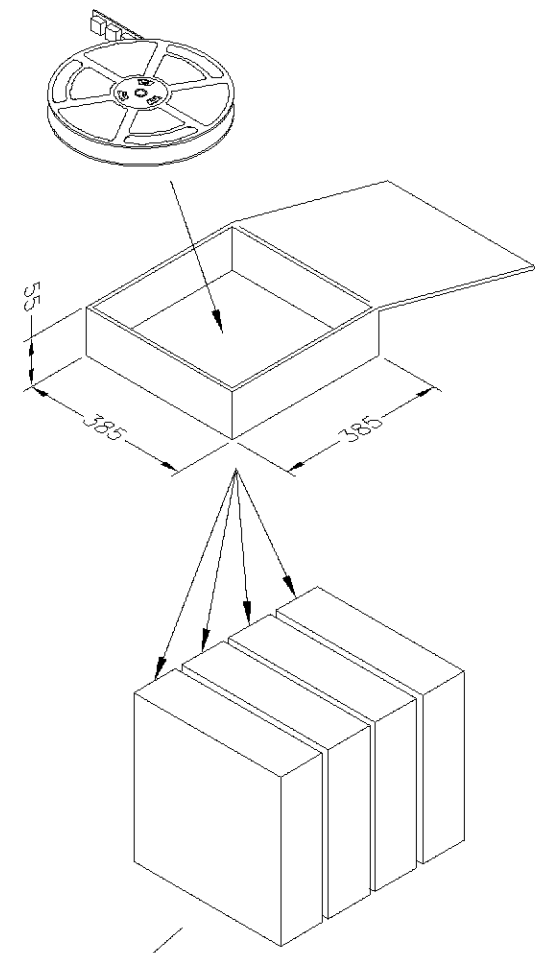
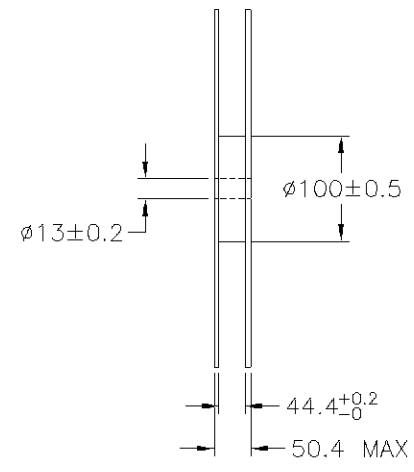
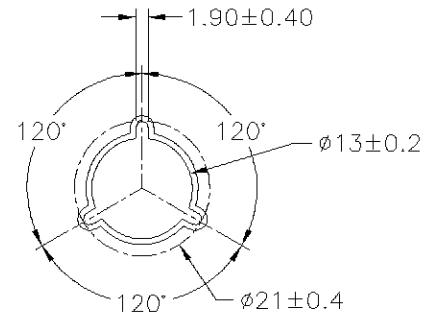
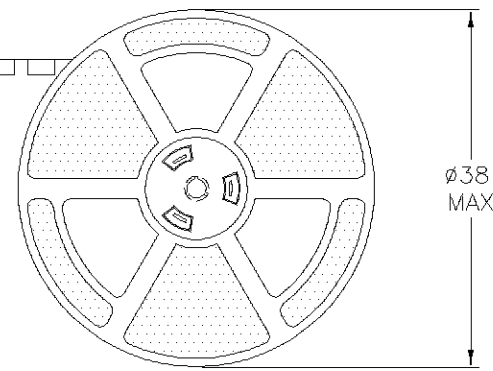
METRIC

THIS INFORMATION IS CONFIDENTIAL AND IS DISCLOSED TO YOU ON CONDITION THAT NO FURTHER DISCLOSURE IS MADE BY YOU TO OTHER THAN AMP PERSONNEL WITHOUT WRITTEN AUTHORIZATION FROM AMP (TAIWAN) LTD. DIMENSION IN MILLIMETERS. DO NOT SCALE PRINT.

PRINT
DW



PULL OUT DIRECTION



2400 PCS	600 PCS
QUANTITY	TAPE REEL

DIMENSION : 0 PLC ± 0.3 1 PLC ± 0.25 2 PLC ± 0.2 3 PLC \pm ANGLES $\pm 0.5'$		DWN J. CHENG 06-FEB-2003	 TYCO HOLDINGS (BERMUDA) VII LTD. TAIWAN BRANCH
MATERIAL -		CHK J. WU 06-FEB-2003	
FINISH -		APVD J. WU 06-FEB-2003	NAME SECURITY DIGITAL CARD CONNECTOR
		PRODUCT SPEC -	LOC DW
		APPLICATION SPEC -	SIZE A ₃
		WEIGHT	DRAWING NO C-440297
			REV B
			SCALE --
			SHEET 3 OF 3

LTR	SEE SHEET 1.	ECN	DWN CHK	DATE
	REVISION RECORD			

7 6 5 4 3 2 1 CUSTOMER DRAWING