



Chipsmall Limited consists of a professional team with an average of over 10 year of expertise in the distribution of electronic components. Based in Hongkong, we have already established firm and mutual-benefit business relationships with customers from,Europe,America and south Asia,supplying obsolete and hard-to-find components to meet their specific needs.

With the principle of "Quality Parts,Customers Priority,Honest Operation,and Considerate Service",our business mainly focus on the distribution of electronic components. Line cards we deal with include Microchip,ALPS,ROHM,Xilinx,Pulse,ON,Everlight and Freescale. Main products comprise IC,Modules,Potentiometer,IC Socket,Relay,Connector.Our parts cover such applications as commercial,industrial, and automotives areas.

We are looking forward to setting up business relationship with you and hope to provide you with the best service and solution. Let us make a better world for our industry!



Contact us

Tel: +86-755-8981 8866 Fax: +86-755-8427 6832

Email & Skype: info@chipsmall.com Web: www.chipsmall.com

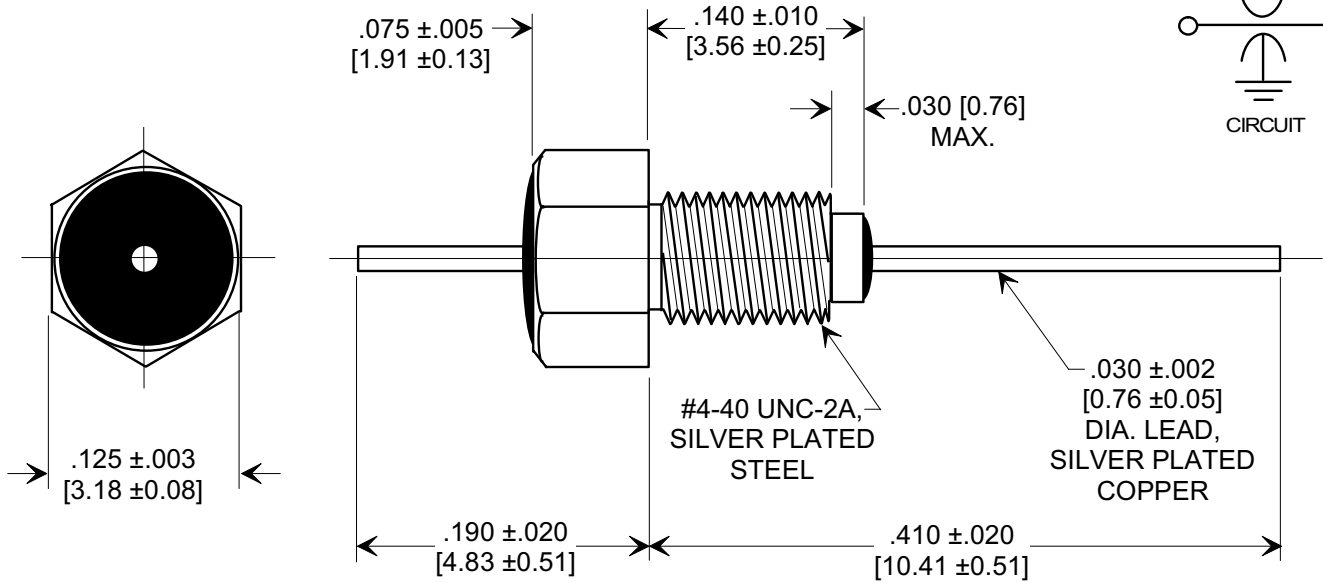
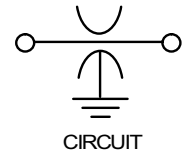
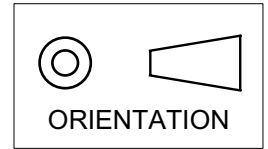
Address: A1208, Overseas Decoration Building, #122 Zhenhua RD., Futian, Shenzhen, China



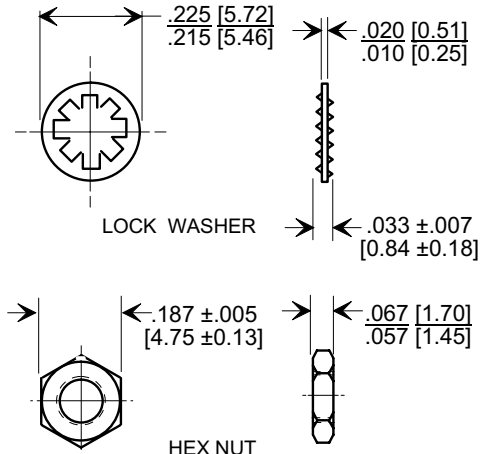
MARKETING SALES DRAWING

DIMENSIONS IN INCHES - DO NOT SCALE THIS DRAWING
DIMENSIONS IN METRIC - []

Electrical Testing
 per Tusonix standard
 test plans and Mil-Std-202
 Test Methods.



MOUNTING HARDWARE



NOTES:

1. OPERATING TEMPERATURE RANGE: -55°C TO +125°C.
2. SILVER PLATED CASE, LEAD AND MOUNTING HARDWARE.
3. MAX. RECOMMENDED MOUNTING TORQUE : 2.0 lb. - in.
4. MAX. RECOMMENDED SOLDERING TEMPERATURE : 260°C. SEE INSTALLATION RECOMMENDATIONS.
5. NUT AND LOCKWASHER INCLUDED.
6. TUSONIX TRADEMARK AND PART VARIATION NUMBER STAMPED ON HEX FLATS.

100	GMV	300	200	10	---	---	3	20	28
CAP.(pf)	TOLERANCE	85 °C	125 °C	DC CURRENT (AMPS)	1 MHz	10 MHz	100 MHz	1 GHz	10 GHz
		DC WORKING VOLTAGE			MINIMUM NO LOAD INSERTION LOSS (dB) AT 25°C PER MIL-STD-220				

REVISION RECORD Original Release C.O. 20020321-1-01 0			--TOLERANCES-- Unless Otherwise Specified		Title MINIATURE BUSHING STYLE EMI FILTER	
			DECIMAL ± NOTED		Drawn S.M. 03-21-02 Scale 8 X	
			ANGLES ± NOTED		Approved T.C. 03-21-02	
			TUSONIX TUCSON, ARIZONA		A 4403-030	