



Chipsmall Limited consists of a professional team with an average of over 10 year of expertise in the distribution of electronic components. Based in Hongkong, we have already established firm and mutual-benefit business relationships with customers from,Europe,America and south Asia,supplying obsolete and hard-to-find components to meet their specific needs.

With the principle of “Quality Parts,Customers Priority,Honest Operation,and Considerate Service”,our business mainly focus on the distribution of electronic components. Line cards we deal with include Microchip,ALPS,ROHM,Xilinx,Pulse,ON,Everlight and Freescale. Main products comprise IC,Modules,Potentiometer,IC Socket,Relay,Connector.Our parts cover such applications as commercial,industrial, and automotives areas.

We are looking forward to setting up business relationship with you and hope to provide you with the best service and solution. Let us make a better world for our industry!



Contact us

Tel: +86-755-8981 8866 Fax: +86-755-8427 6832

Email & Skype: info@chipsmall.com Web: www.chipsmall.com

Address: A1208, Overseas Decoration Building, #122 Zhenhua RD., Futian, Shenzhen, China

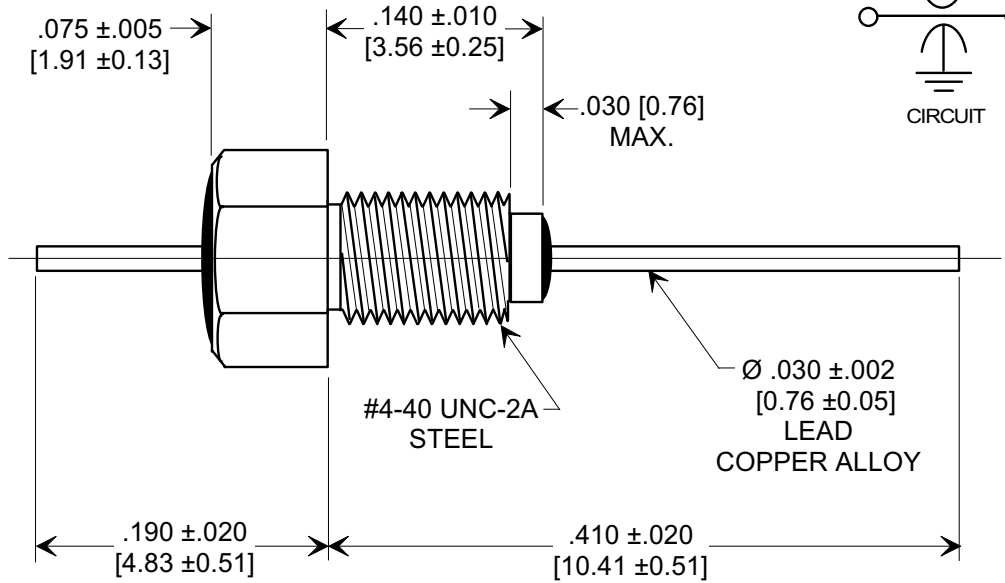
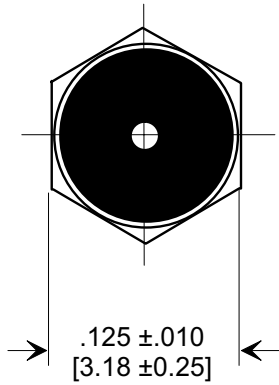
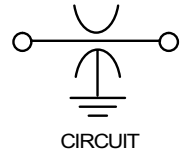
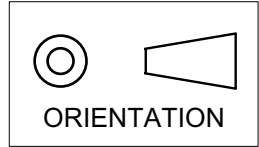


MARKETING SALES DRAWING

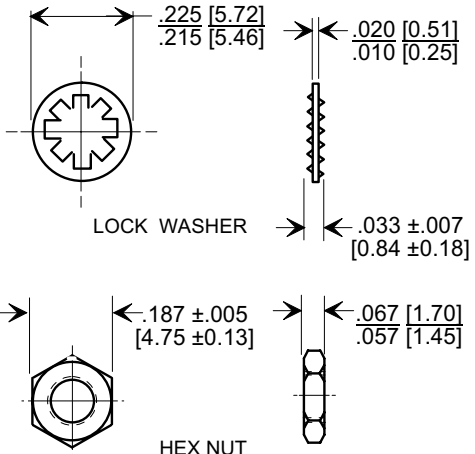
DIMENSIONS IN INCHES - DO NOT SCALE THIS DRAWING
DIMENSIONS IN METRIC - []

This drawing is the property of Tusonix, Inc., and may not be used, reproduced, published or disclosed to others without expressed authorization by Tusonix Inc.

Electrical Testing per Tusonix standard test plans and Mil-Std-202 Test Methods.



MOUNTING HARDWARE



NOTES:

1. OPERATING TEMPERATURE RANGE: -55°C TO +125°C.
2. SILVER PLATED CASE, LEAD AND MOUNTING HARDWARE.
3. MAX. RECOMMENDED MOUNTING TORQUE : 2.0 lb. - in.
4. MAX. RECOMMENDED SOLDERING TEMPERATURE : 260°C. SEE INSTALLATION RECOMMENDATIONS.
5. NUT AND LOCK WASHER INCLUDED.
6. TUSONIX STANDARD PART NUMBER: 4403-040. TUSONIX RoHS COMPLIANT PART NUMBER: 4403-040 LF. CUSTOMER MUST SPECIFY STANDARD OR RoHS PART NUMBER WHEN ORDERING.
7. PART MARKING: TRADEMARK AND VARIATION NUMBER ON HEX FLATS. STANDARD PART: BLACK INK. RoHS PART: GREEN INK.

27,000	GMV	70	50	10	10	28	42	65	65
CAP.(pf)	TOLERANCE	+85 °C	+125 °C	DC CURRENT (AMPS)	1 MHz	10 MHz	100 MHz	1 GHz	10 GHz
		DC WORKING VOLTAGE							

REVISION RECORD	0	Original Release C.O. 6965	1	RDN TO COMP FMT. S.M. 07-16-02	2	ADDED AND REVISED NOTES. S.M. 06-07-06	3	20060605-7-02	--TOLERANCES-- Unless Otherwise Specified	Title MINI BUSHING STYLE EMI FILTER	
	1	-040 & -680 ADDED, DC WAS5. E.C. 11-20-92		20020715-1-28		DECIMAL ± NOTED		Drawn S.M. 06-10-02		Scale 8 X	
	2					ANGLES ± NOTED		Approved J.Mc. 06-10-02			
	3					TUSONIX TUCSON, ARIZONA		A	4403-040		