



Chipsmall Limited consists of a professional team with an average of over 10 year of expertise in the distribution of electronic components. Based in Hongkong, we have already established firm and mutual-benefit business relationships with customers from,Europe,America and south Asia,supplying obsolete and hard-to-find components to meet their specific needs.

With the principle of “Quality Parts,Customers Priority,Honest Operation,and Considerate Service”,our business mainly focus on the distribution of electronic components. Line cards we deal with include Microchip,ALPS,ROHM,Xilinx,Pulse,ON,Everlight and Freescale. Main products comprise IC,Modules,Potentiometer,IC Socket,Relay,Connector.Our parts cover such applications as commercial,industrial, and automotives areas.

We are looking forward to setting up business relationship with you and hope to provide you with the best service and solution. Let us make a better world for our industry!



Contact us

Tel: +86-755-8981 8866 Fax: +86-755-8427 6832

Email & Skype: info@chipsmall.com Web: www.chipsmall.com

Address: A1208, Overseas Decoration Building, #122 Zhenhua RD., Futian, Shenzhen, China

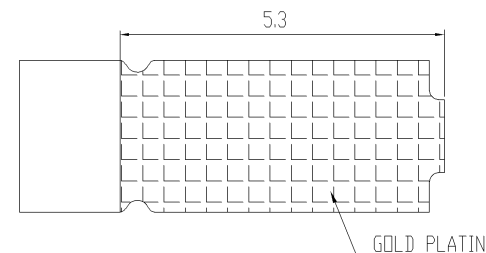
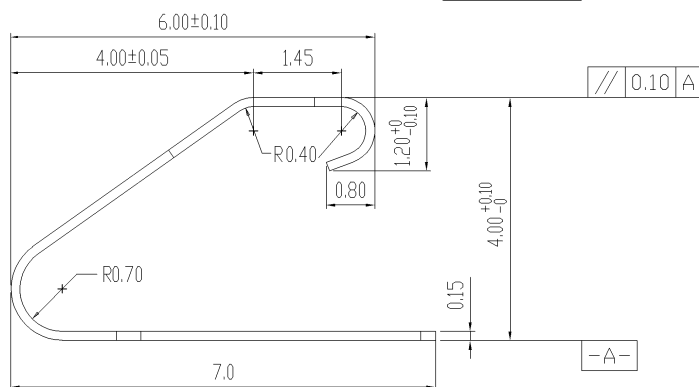
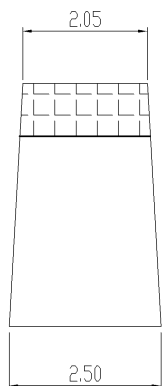
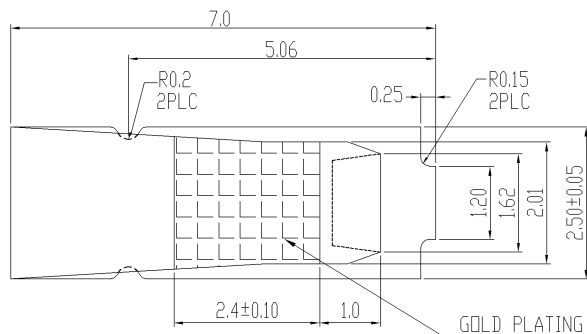


THIS DRAWING IS UNPUBLISHED. RELEASED FOR PUBLICATION

© COPYRIGHT 2011 BY TYCO ELECTRONICS CORPORATION. ALL RIGHTS RESERVED.

LOC	DIST	REVISIONS					
DW		P	LTR	DESCRIPTION	DATE	DWN	APVD
		B2		REVISED (ECR-11-006482)	29MAR11	JL	WK

- NOTES :
- ROHS 2002/95/EC COMPLIANT
 - 1. MATERIAL :
COPPER ALLOY, 0.15±0.01MM THK
 - 2. FINISH :
GOLD FLASH PLATING ON THE CONTACT AND FOOT AREA
NICKEL UNDERPLATING OVER ALL.
 - 3. CURRENT RATING : 1 A
 - 4. TEMPERATURE RATING : -40°C ~ +105°C

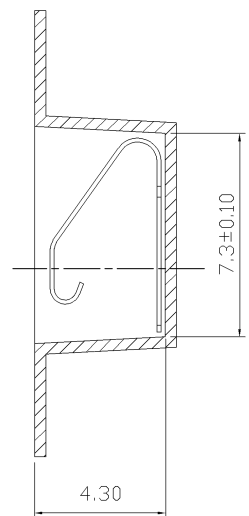
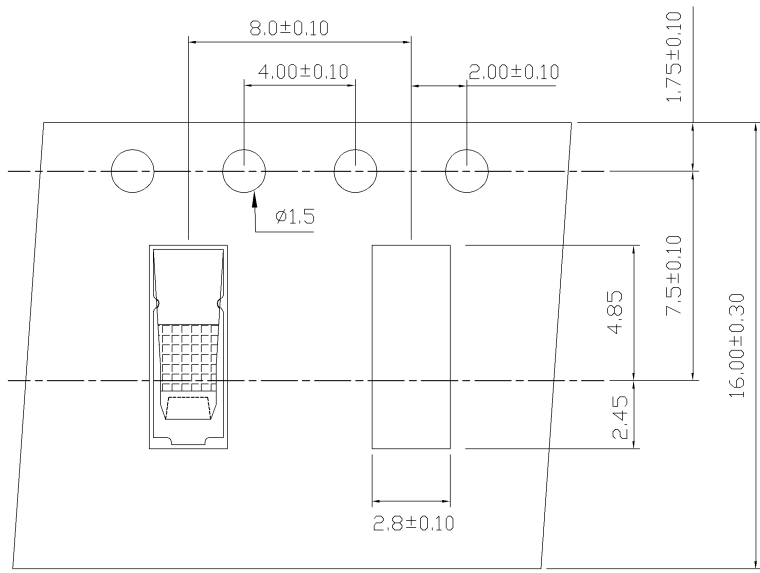


OBSOLETE	-440422-2	Ti-Cu
	440422-1	Be-Cu
	PART NUMBER	MATERIAL

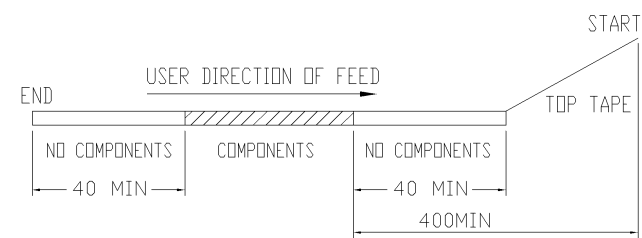
THIS DRAWING IS A CONTROLLED DOCUMENT.		DWN S. HOU 01FEB2001	STE TE Connectivity	
DIMENSIONS: mm		CHK J. CHENG 01FEB2001		
TOLERANCES UNLESS OTHERWISE SPECIFIED:		APVD J. WU 01FEB2001	NAME	
0 PLC ± -		PRODUCT SPEC		SHIELD FINGER 4025-T
1 PLC ± 0.3		APPLICATION SPEC		
2 PLC ± 0.15		108-57068		SIZE
3 PLC ± 0.03		-		CAGE CODE
4 PLC ± -		-		DRAWING NO
ANGLES ± 2'		-		RESTRICTED TO
MATERIAL SEE NOTE	FINISH SEE NOTE	WEIGHT -	A3	00779
		C=440422		
		CUSTOMER DRAWING		SCALE
		SHEET 1 of 2		REV B2

THIS DRAWING IS UNPUBLISHED. RELEASED FOR PUBLICATION
 © COPYRIGHT 2011 BY TYCO ELECTRONICS CORPORATION. ALL RIGHTS RESERVED.

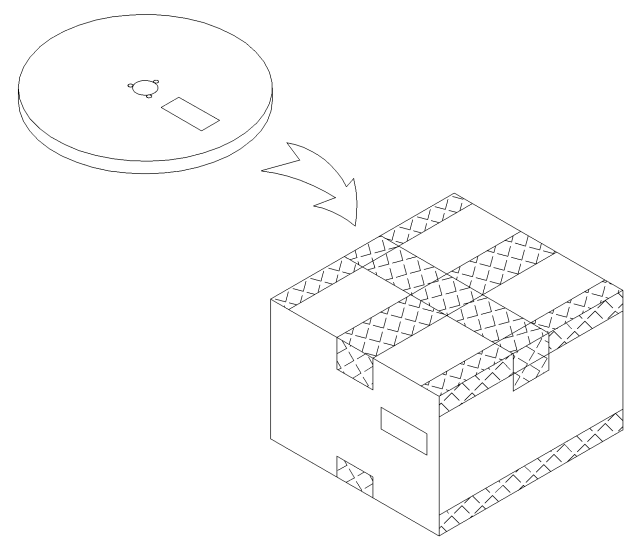
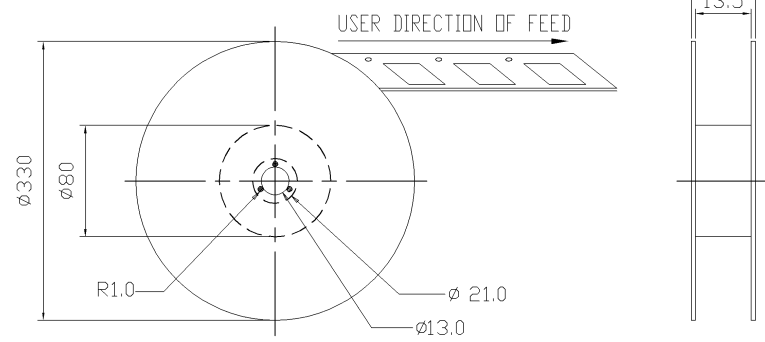
LOC DW	DIST	REVISIONS			
P	LTR	DESCRIPTION	DATE	DWN	APVD
		SEE SHEET 1.			



- NOTES :
- QUANTITY :
10 REEL/SHIPPING BOX
2000 PCS/REEL
 - DIMENSION :
BOX : 345X345X240
REEL : Ø330X20.0
 - GENERAL TOLERANCE : ±0.3
 - WEIGHT :
NET WEIGHT : 6.00kg
GROSS WEIGHT : 6.52kg



REEL DIMENSION: REFERENCE ONLY



THIS DRAWING IS A CONTROLLED DOCUMENT.		DWN	TE Connectivity			
DIMENSIONS: mm 		CHK				
TOLERANCES UNLESS OTHERWISE SPECIFIED: 0 PLC ± - 1 PLC ± 0.3 2 PLC ± 0.2 3 PLC ± 0.15 4 PLC ± - ANGLES ± 3'		APVD	NAME			
MATERIAL		PRODUCT SPEC	SHIELD FINGER 4025-T			
FINISH		APPLICATION SPEC	SIZE	CAGE CODE	DRAWING NO	RESTRICTED TO
		WEIGHT	A3	00779	C=440422	
		CUSTOMER DRAWING	SCALE	SHEET	REV	
				2 of 2	B2	