



Chipsmall Limited consists of a professional team with an average of over 10 year of expertise in the distribution of electronic components. Based in Hongkong, we have already established firm and mutual-benefit business relationships with customers from,Europe,America and south Asia,supplying obsolete and hard-to-find components to meet their specific needs.

With the principle of "Quality Parts,Customers Priority,Honest Operation,and Considerate Service",our business mainly focus on the distribution of electronic components. Line cards we deal with include Microchip,ALPS,ROHM,Xilinx,Pulse,ON,Everlight and Freescale. Main products comprise IC,Modules,Potentiometer,IC Socket,Relay,Connector.Our parts cover such applications as commercial,industrial, and automotives areas.

We are looking forward to setting up business relationship with you and hope to provide you with the best service and solution. Let us make a better world for our industry!



Contact us

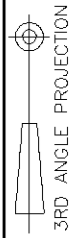
Tel: +86-755-8981 8866 Fax: +86-755-8427 6832

Email & Skype: info@chipsmall.com Web: www.chipsmall.com

Address: A1208, Overseas Decoration Building, #122 Zhenhua RD., Futian, Shenzhen, China



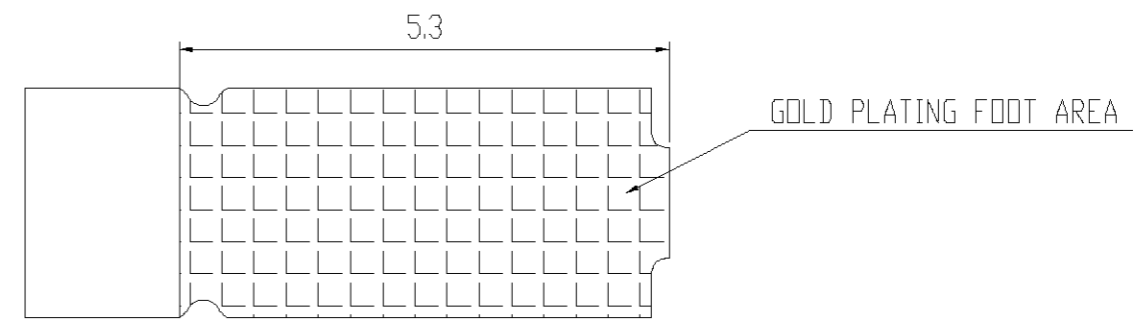
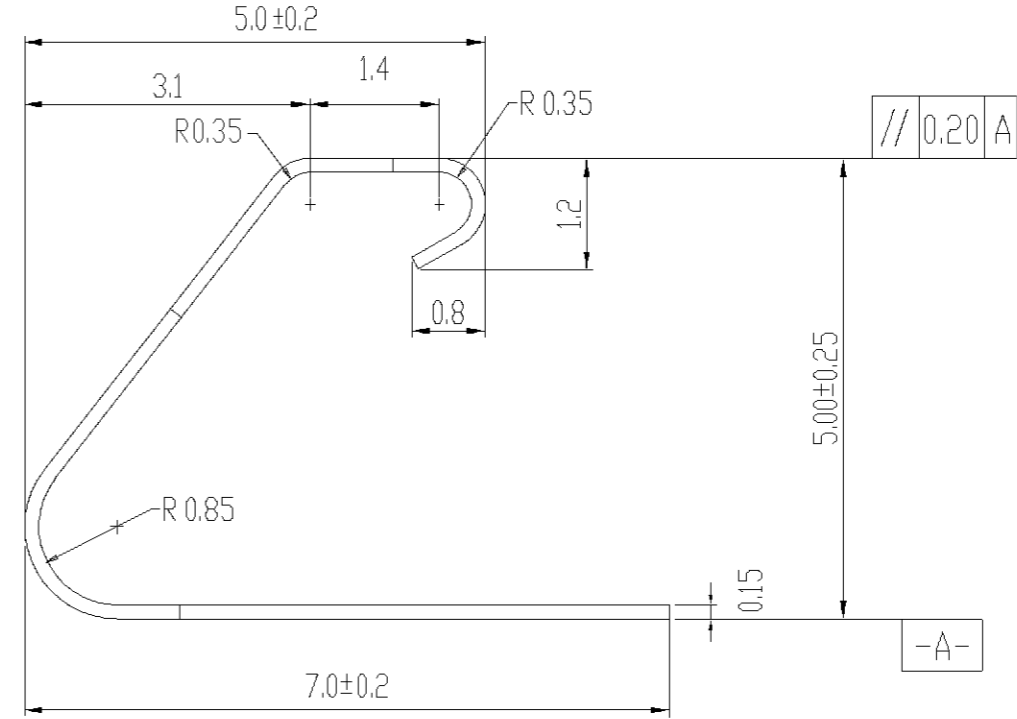
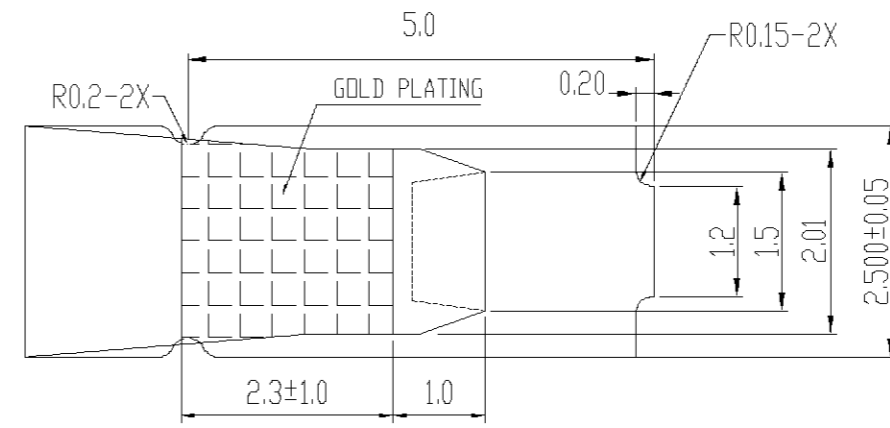
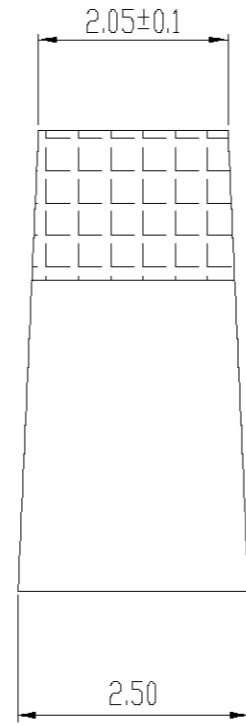
NUMBER
C-440423



METRIC

THIS INFORMATION IS CONFIDENTIAL AND IS DISCLOSED TO YOU ON CONDITION THAT NO FURTHER DISCLOSURE IS MADE BY YOU TO OTHER THAN AMP PERSONNEL WITHOUT WRITTEN AUTHORIZATION FROM AMP (TAIWAN) LTD. DIMENSION IN MILLIMETERS. DO NOT SCALE PRINT.

PRINT
DW



NOTES:

- SHIELD FINGER: MATERIAL - COPPER ALLOY, 0.15±0.01MM THK
PLATING FINISH - 30u"-50u" OVER ALL ALLOY NICKEL PLATING
2u" GOLD PLATING MIN ON THE CONTACT AND FOOT AREA
- CURRENT RATING: 1 AMP
- TEMPERATURE RATING: -40° TO +105°C

O	FIRST RELEASED	FW00-0075-00	AW/JC	31AUG 2000
LTR	REVISION RECORD	ECN	DR/CHK	DATE

DIMENSION :	DR.
0 PLC ±	A. WU
1 PLC ±0.13	31-AUG-2000
2 PLC ±0.05	CHK.
3 PLC ±0.03	J. CHENG
ANGLES ±2°	31-AUG-2000
MATERIAL	APP.
SEE NOTE	J. WU
	31-AUG-2000
FINISH	PRODUCT SPEC
SEE NOTE	APPLICATION SPEC
	WEIGHT

LOC	SIZE	DRAWING NO	REV
DW	A ₃	C-440423	O
SCALE	SHEET		
--	1 OF 2		

PART NUMBER	440423-1
AMP INCORPORATED. IPO	
NAME	
SHIELD FINGER 5025	

CUSTOMER DRAWING

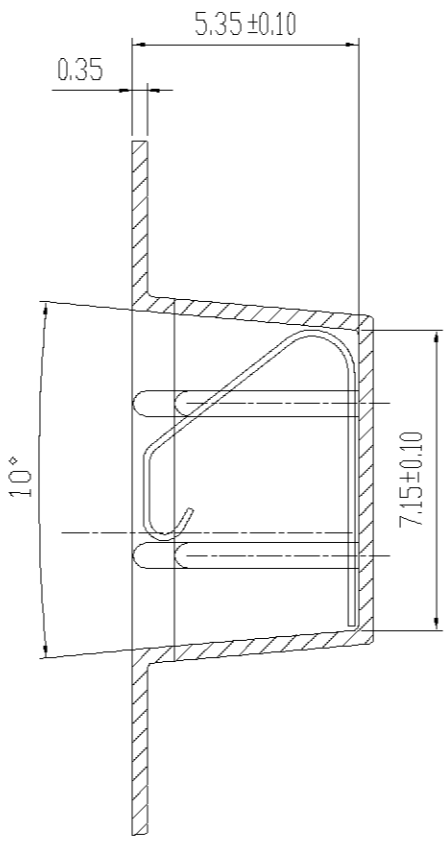
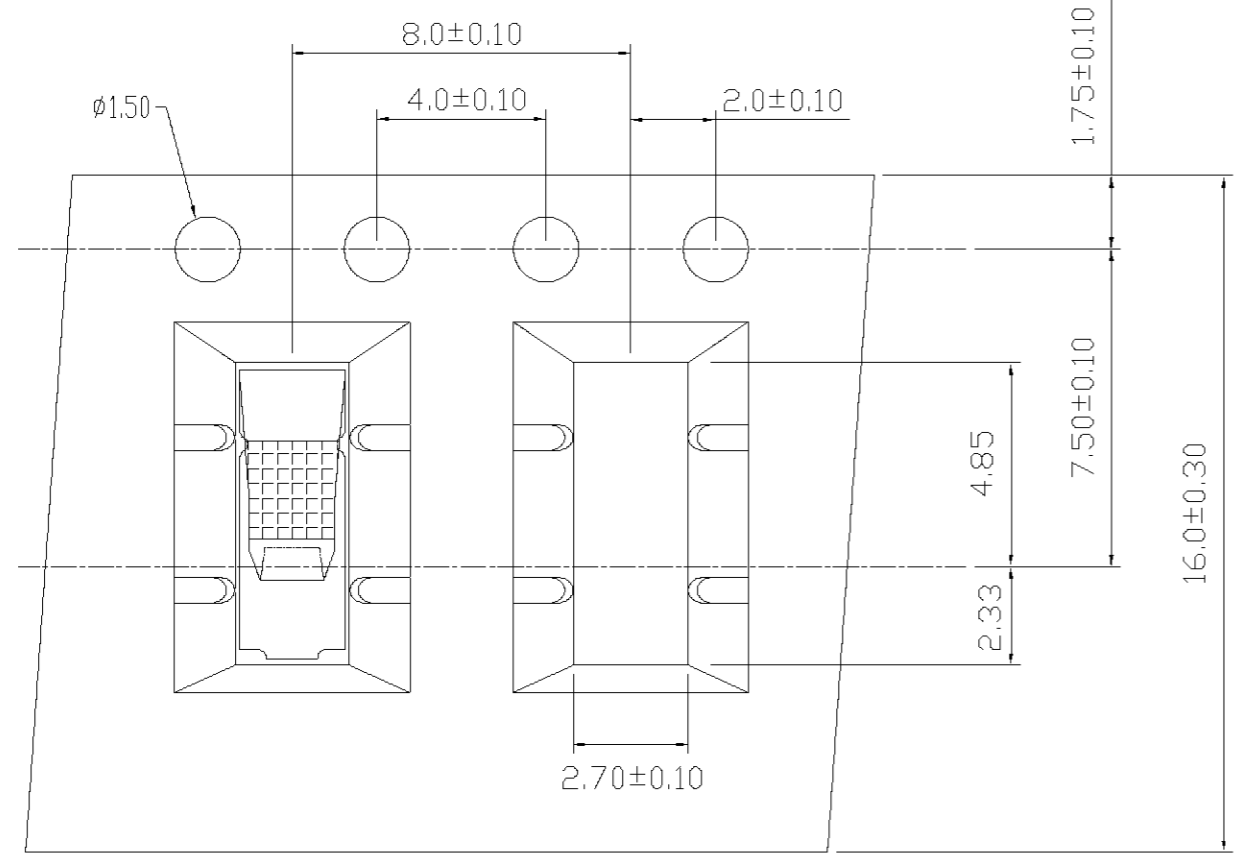
8 7 6 5 4 3 2 1

NUMBER
C-440423

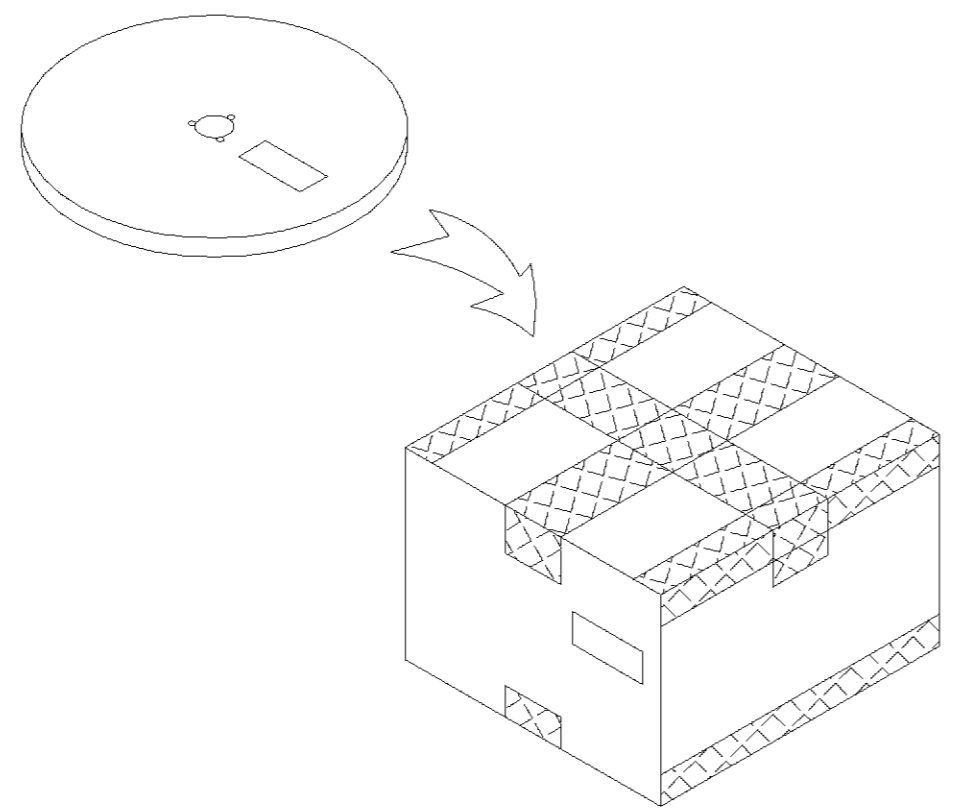
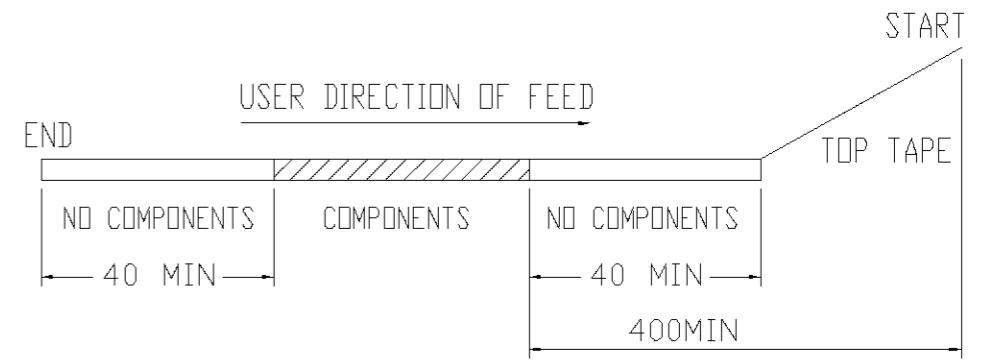
METRIC
3RD ANGLE PROJECTION

THIS INFORMATION IS CONFIDENTIAL AND IS DISCLOSED TO YOU ON CONDITION THAT NO FURTHER DISCLOSURE IS MADE BY YOU TO OTHER THAN AMP PERSONNEL WITHOUT WRITTEN AUTHORIZATION FROM AMP (TAIWAN) LTD. DIMENSION IN MILLIMETERS. DO NOT SCALE PRINT.

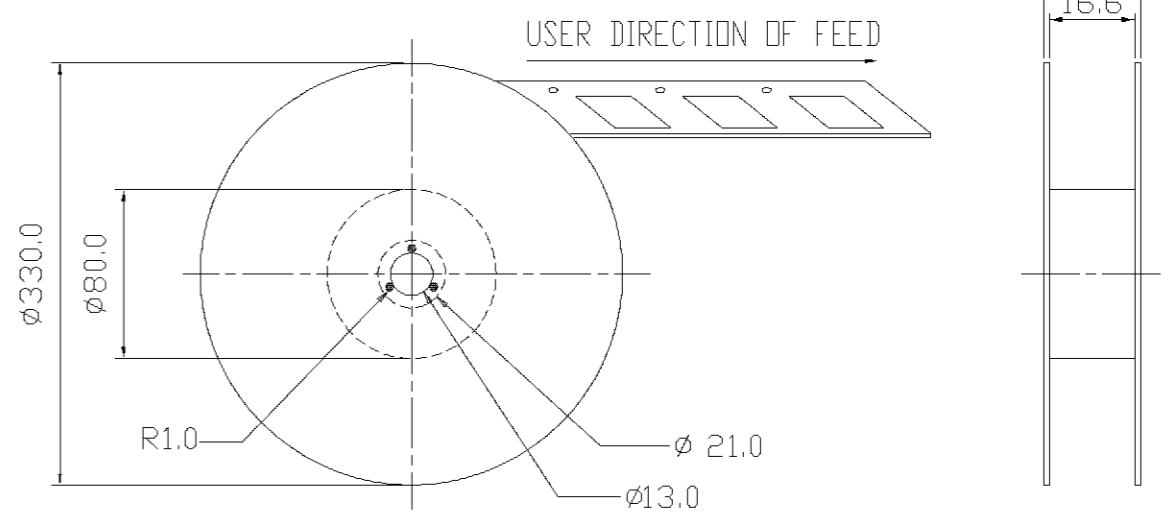
PRINT
DW



- NOTES:
1. APPLICATION: SHIELD FINGER 5025 ON CONTINUOUS TAPES
 2. NO. OF PKG: 10 REEL MAX
 3. MATERIAL : BOX - CARDBOARD
CARRIER TAPE - ACRYLIC FILM
TOP TAPE - PET FILM
REEL - PLASTIC
 4. DIMENSION: BOX - 345X345X240
LABEL - 70X100
REEL - Ø330X20.0
 5. GENERAL TOLERANCE: ±0.3
 6. PACKING STYLE: 1500 PCS/REEL



REEL DIMENSION: REFERENCE ONLY



SEE SHEET 1.	ECN	DR	CHK	DATE
LTR	REVISION RECORD			

DIMENSION :		DR. A. WU		AMP INCORPORATED. IPO	
0 PLC ±		31-AUG-2000			
1 PLC ±		CHK. J. CHENG		NAME	
2 PLC ±		31-AUG-2000		SHIELD FINGER 5025	
3 PLC ±		APP. J. WU		LOC	
ANGLES ±1°		31-AUG-2000		SIZE	
MATERIAL		PRODUCT SPEC		DRAWING NO	
SEE NOTE		APPLICATION SPEC		C-440423	
FINISH		WEIGHT		REV	
				O	
				SCALE	
				SHEET	
				2 OF 2	