



Chipsmall Limited consists of a professional team with an average of over 10 year of expertise in the distribution of electronic components. Based in Hongkong, we have already established firm and mutual-benefit business relationships with customers from,Europe,America and south Asia,supplying obsolete and hard-to-find components to meet their specific needs.

With the principle of “Quality Parts,Customers Priority,Honest Operation,and Considerate Service”,our business mainly focus on the distribution of electronic components. Line cards we deal with include Microchip,ALPS,ROHM,Xilinx,Pulse,ON,Everlight and Freescale. Main products comprise IC,Modules,Potentiometer,IC Socket,Relay,Connector.Our parts cover such applications as commercial,industrial, and automotives areas.

We are looking forward to setting up business relationship with you and hope to provide you with the best service and solution. Let us make a better world for our industry!



Contact us

Tel: +86-755-8981 8866 Fax: +86-755-8427 6832

Email & Skype: info@chipsmall.com Web: www.chipsmall.com

Address: A1208, Overseas Decoration Building, #122 Zhenhua RD., Futian, Shenzhen, China



INTERCONNECTS

SERIES 442 • .100" GRID BOARD STACKING HEADERS • DOUBLE ROW STRIPS

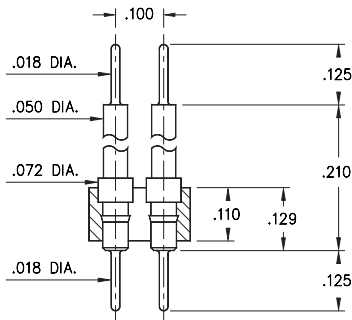


FIG. 1

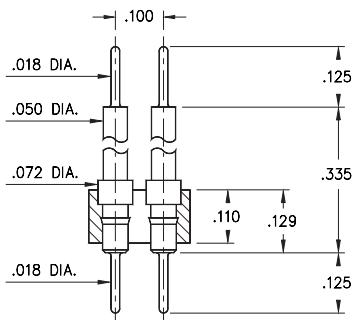


FIG. 2

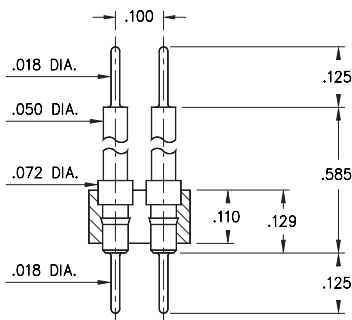


FIG. 3

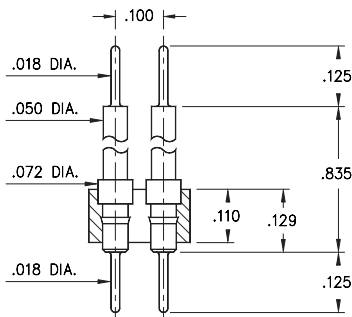
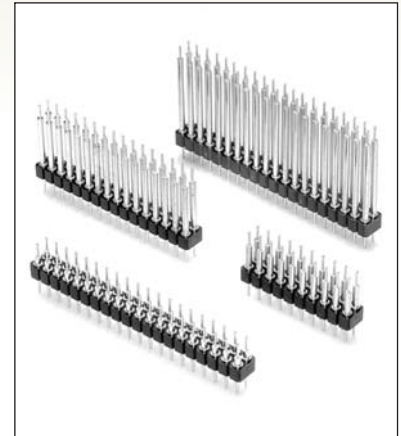


FIG. 4

- Series 442 interconnect header strips come in four heights with .018" dia. pluggable solder tails at both ends

442...591 uses pin #4259-1 (L = .210")
 442...592 uses pin #4259-2 (L = .335")
 442...593 uses pin #4259-3 (L = .585")
 442...594 uses pin #4259-4 (L = .835")
 See page 212 for details

- Insulators are high temperature thermoplastic, suitable for all soldering operations



ORDERING INFORMATION

FIG. 1	Series 442...591 .018" / .018" Dia. Solder Tails
	442-XX-2--00-591000 Specify number of pins 04-64
FIG. 2	Series 442...592 .018" / .018" Dia. Solder Tails
	442-XX-2--00-592000 Specify number of pins 04-64
FIG. 3	Series 442...593 .018" / .018" Dia. Solder Tails
	442-XX-2--00-593000 Specify number of pins 04-64
FIG. 4	Series 442...594 .018" / .018" Dia. Solder Tails
	442-XX-2--00-594000 Specify number of pins 04-64



XX=Plating Code
See Below

For
Electrical, Mechanical
& Environmental Data,
See page 264

SPECIFY PLATING CODE XX=	10 ◆	90	40 ◆	
Pin Plating	10 μ" Au	200 μ" Sn/Pb	200 μ" Sn	

