



Chipsmall Limited consists of a professional team with an average of over 10 year of expertise in the distribution of electronic components. Based in Hongkong, we have already established firm and mutual-benefit business relationships with customers from,Europe,America and south Asia,supplying obsolete and hard-to-find components to meet their specific needs.

With the principle of “Quality Parts,Customers Priority,Honest Operation,and Considerate Service”,our business mainly focus on the distribution of electronic components. Line cards we deal with include Microchip,ALPS,ROHM,Xilinx,Pulse,ON,Everlight and Freescale. Main products comprise IC,Modules,Potentiometer,IC Socket,Relay,Connector.Our parts cover such applications as commercial,industrial, and automotives areas.

We are looking forward to setting up business relationship with you and hope to provide you with the best service and solution. Let us make a better world for our industry!



Contact us

Tel: +86-755-8981 8866 Fax: +86-755-8427 6832

Email & Skype: info@chipsmall.com Web: www.chipsmall.com

Address: A1208, Overseas Decoration Building, #122 Zhenhua RD., Futian, Shenzhen, China



Accessories to TA45



Approvals and Compliances

Description

- Covers for IP 54 or IP 65
- Locking device
- Flat gaskets
- Raised collar

Weblinks

[pdf datasheet](#), [html-datasheet](#), [General Product Information](#), [Distributor-Stock-Check](#), [Detailed request for product](#), [Product News](#)

Approvals and Compliances

Detailed information on product approvals, code requirements, usage instructions and detailed test conditions can be looked up in [Details about Approvals](#)

Application standards

Application standards where the product can be used

Organization	Design	Standard	Description
	Designed for applications acc.	IEC/UL 60950	IEC 60950-1 includes the basic requirements for the safety of information technology equipment.

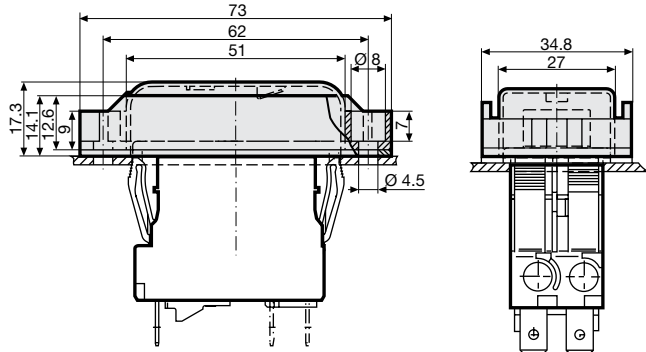
Compliances

The product complies with following Guide Lines

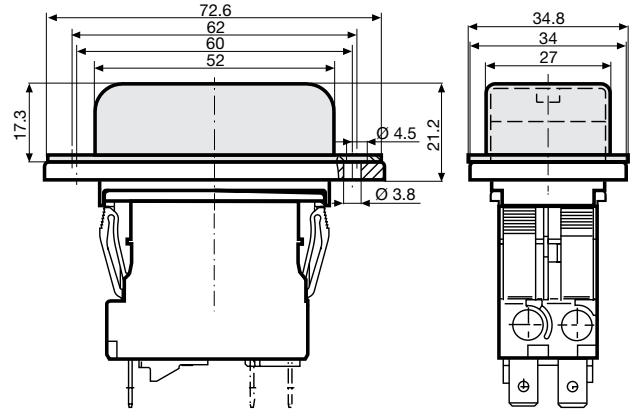
Identification	Details	Initiator	Description
	REACH	SCHURTER AG	On 1 June 2007, Regulation (EC) No 1907/2006 on the Registration, Evaluation, Authorization and Restriction of Chemicals 1 (abbreviated as "REACH") entered into force.

Dimension [mm]

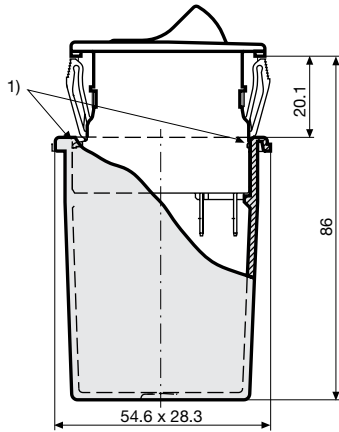
AZZ04



AZZ05

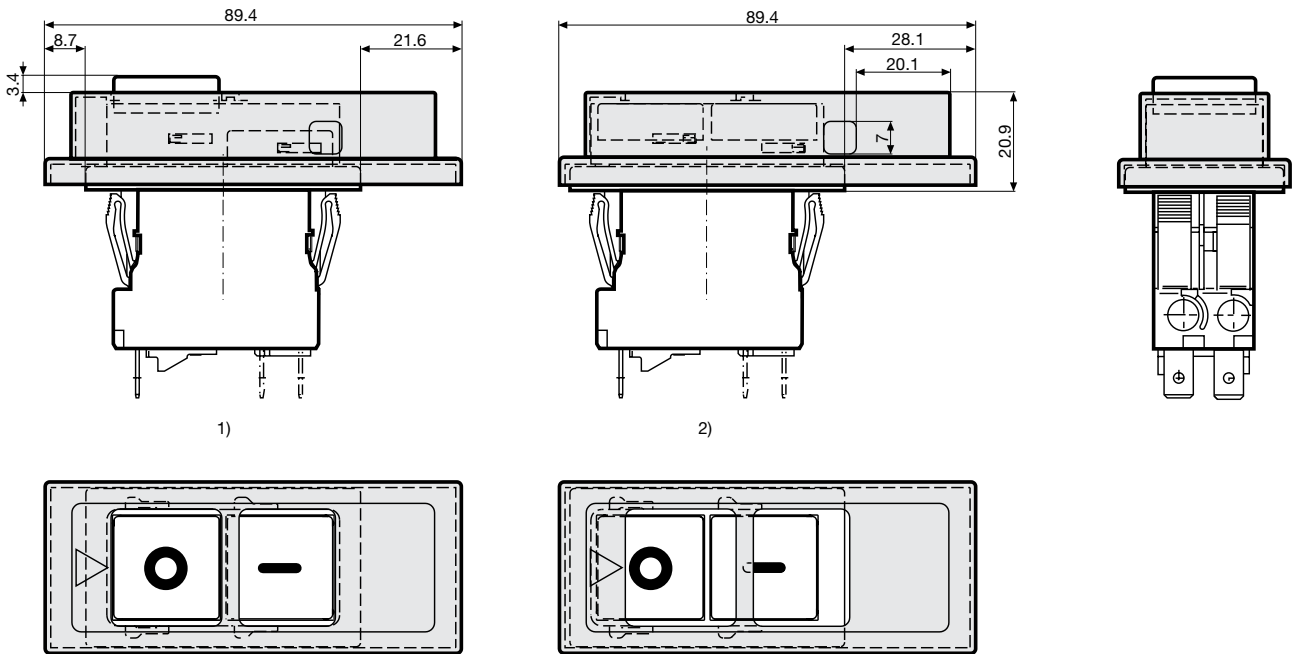


AZZ51



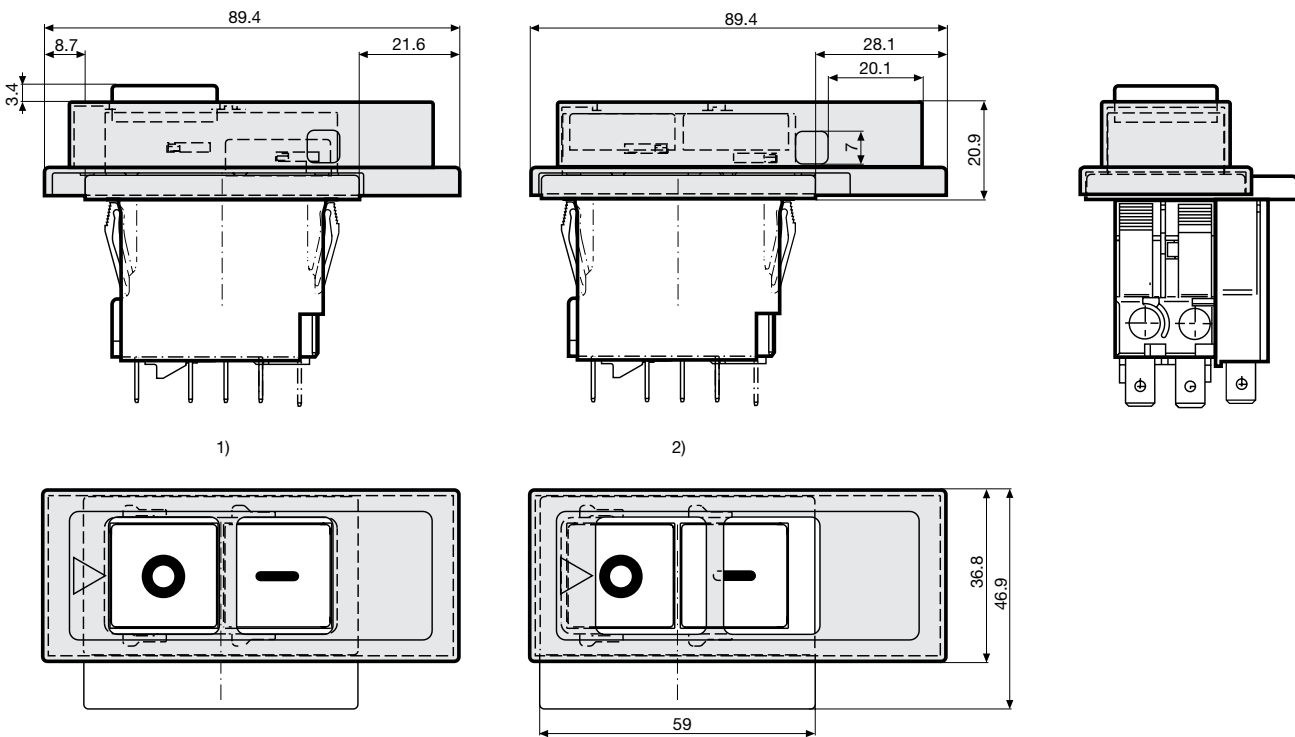
Snap-on fastener

AZZ71 / AZZ72



- 1) CBE switchable
- 2) CBE not switchable


AZZ81 / AZZ82



- 1) CBE switchable
- 2) CBE not switchable

All Variants

Suitable for	Type	Description	Poles	Degree of Protection	Mounting	Order Number
TA45-2P, TA45-3P, TA45-2PU, TA45-3PU, TA45-2PA, TA45-3PA, TA45-2PAU, TA45-3PAU	CBE TA45-AZZ63	Flat gasket for screw-on type	2 or 3 pole	IP 54	-	4430.0439
TA45-2P, TA45-2PU	CBE TA45-AZZ61	Flat gasket	2-pole	IP 54	Snap-in version	4430.0499
TA45-3P, TA45-3PU, TA45-2PA, TA45-3PA, TA45-2PAU, TA45-3PAU	CBE TA45-AZZ62	Flat gasket	2 or 3 pole	IP 54	Snap-in version	4430.0502
TA45-2P, TA45-2R, TA45-2PU, TA45-2RU	CBE TA45-AZZ51	Rear cover	2-pole	IP 40	Snap-in or flange mounted	4430.0519
TA45-2R, TA45-2RU, TA45-2RA, TA45-2RAU	CBE TA45-AZZ31	Flat gasket	2-pole	IP 54	-	4430.0685
TA45-2R, TA45-2RU, TA45-2RA, TA45-2RAU	CBE TA45-AZZ04	Screw-on collar with cover, 2 pole	2-pole	IP 65	-	4430.0695
TA45-2P, TA45-3P, TA45-2PU, TA45-3PU, TA45-2PA, TA45-3PA, TA45-2PAU, TA45-3PAU	CBE TA45-AZZ05	Screw-on cover	2 or 3 pole	IP 65	Flange type	4430.0835
TA45-2P, TA45-2PU	CBE TA45-AZZ71	Locking device black, safety-lock type	2-pole	-	Snap-in version	4430.1625
TA45-2P, TA45-2PU	CBE TA45-AZZ72	Locking device yellow, safety-lock type	2-pole	-	Snap-in version	4430.2074
TA45-3P, TA45-3PU, TA45-2PA, TA45-3PA, TA45-2PAU, TA45-3PAU	CBE TA45-AZZ82	Locking device yellow, safety-lock type	2 or 3 pole	-	Snap-in version	4430.2075
TA45-3R, TA45-3RU, TA45-3RA, TA45-3RAU	CBE TA45-AZZ21	Screw-on collar with cover, black	3-pole	-	-	4430.3371
TA45-3R, TA45-3RU, TA45-3RA, TA45-3RAU	CBE TA45-AZZ26	Screw-on collar with cover, yellow	3-pole	-	-	4430.3372
TA45-3P, TA45-3PU, TA45-2PA, TA45-3PA, TA45-2PAU, TA45-3PAU	CBE TA45-AZZ81	Locking device black, safety-lock type	2 or 3 pole	-	Snap-in version	4430.3534

 Most Popular.

Availability for all products can be searched real-time: <https://www.schurter.com/en/Stock-Check/Stock-Check-SCHURTER>

Packaging Unit 1 Pcs