



Chipsmall Limited consists of a professional team with an average of over 10 year of expertise in the distribution of electronic components. Based in Hongkong, we have already established firm and mutual-benefit business relationships with customers from,Europe,America and south Asia,supplying obsolete and hard-to-find components to meet their specific needs.

With the principle of "Quality Parts,Customers Priority,Honest Operation,and Considerate Service",our business mainly focus on the distribution of electronic components. Line cards we deal with include Microchip,ALPS,ROHM,Xilinx,Pulse,ON,Everlight and Freescale. Main products comprise IC,Modules,Potentiometer,IC Socket,Relay,Connector.Our parts cover such applications as commercial,industrial, and automotives areas.

We are looking forward to setting up business relationship with you and hope to provide you with the best service and solution. Let us make a better world for our industry!



Contact us

Tel: +86-755-8981 8866 Fax: +86-755-8427 6832

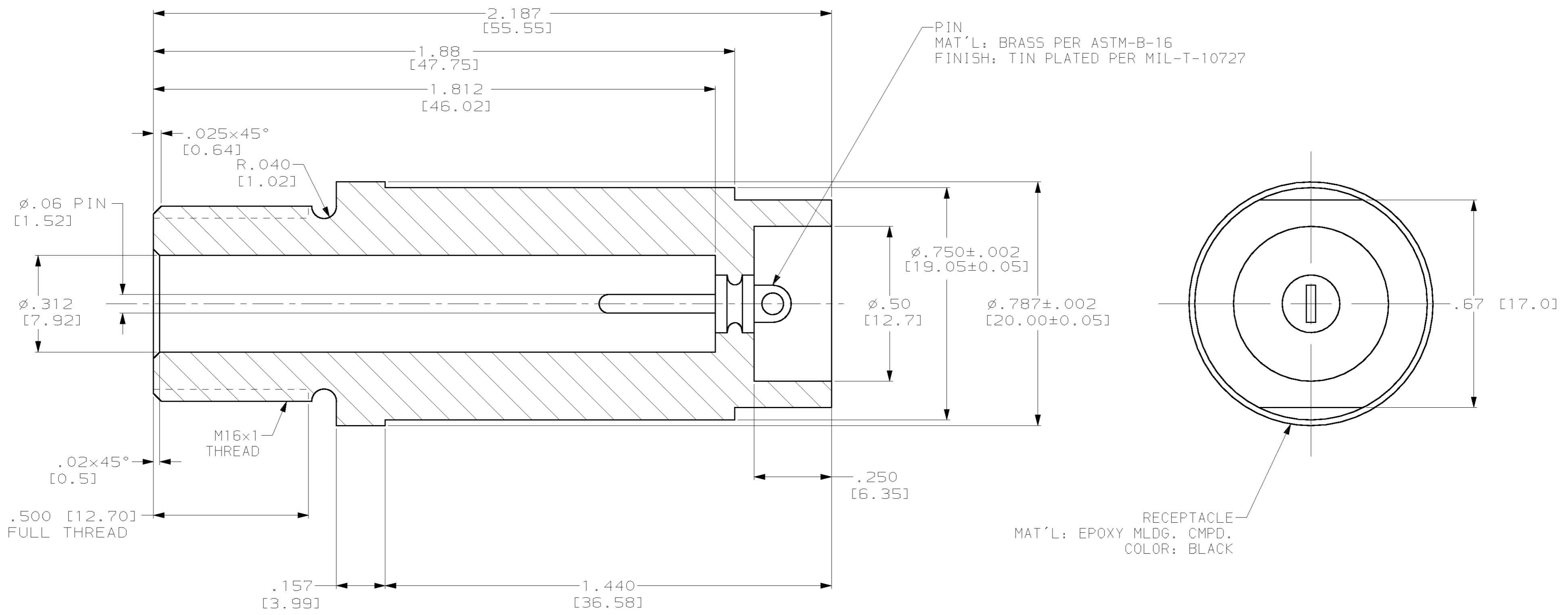
Email & Skype: info@chipsmall.com Web: www.chipsmall.com

Address: A1208, Overseas Decoration Building, #122 Zhenhua RD., Futian, Shenzhen, China



THIS DRAWING IS UNPUBLISHED. RELEASED FOR PUBLICATION
 BY AMP INCORPORATED, ALL RIGHTS RESERVED.

PROD	LOC	DIST	REVISIONS					
4087	DF	50	P	LTR	DESCRIPTION	DATE	DWN	APVD
			B		REV PER 063D-0193-02	12-02	JR	DE



1. MARKED PER MIL-STD-130.
2. RECEPTACLE TO MATE WITH ANY AMP LGH-3 LEAD ASSEMBLY.
3. RECEPTACLE IS HERMETICALLY SEALED.

443067-1
 PART NO.

THIS DRAWING IS A CONTROLLED DOCUMENT FOR AMP INCORPORATED. IT IS SUBJECT TO CHANGE AND THE CONTROLLING ENGINEERING ORGANIZATION SHOULD BE CONTACTED FOR THE LATEST REVISION.		OWN C.C. THOMAS 10-4-94	AMP Incorporated Harrisburg, PA 17105-3608
		CHK D. WEYANDT 10-5-94	
DIMENSIONS: INCHES [mm]		APVD D. WEYANDT 10-5-94	NAME RCPT., MOLDED, LGH-3 (SPECIAL)
TOLERANCES UNLESS OTHERWISE SPECIFIED: 0 PLC ± - 1 PLC ± - 2 PLC ± .01 [0.3] 3 PLC ± .005 [0.13] 4 PLC ± - ANGLES ± -		PRODUCT SPEC -	SIZE A2
MATERIAL SEE CALLOUTS		APPLICATION SPEC -	CAGE CODE 00779
FINISH SEE CALLOUTS		WEIGHT -	DRAWING NO. C=443067
CUSTOMER DRAWING		SCALE 4:1	SHEET 1 OF 1
		REV B	