



Chipsmall Limited consists of a professional team with an average of over 10 year of expertise in the distribution of electronic components. Based in Hongkong, we have already established firm and mutual-benefit business relationships with customers from,Europe,America and south Asia,supplying obsolete and hard-to-find components to meet their specific needs.

With the principle of “Quality Parts,Customers Priority,Honest Operation,and Considerate Service”,our business mainly focus on the distribution of electronic components. Line cards we deal with include Microchip,ALPS,ROHM,Xilinx,Pulse,ON,Everlight and Freescale. Main products comprise IC,Modules,Potentiometer,IC Socket,Relay,Connector.Our parts cover such applications as commercial,industrial, and automotives areas.

We are looking forward to setting up business relationship with you and hope to provide you with the best service and solution. Let us make a better world for our industry!



Contact us

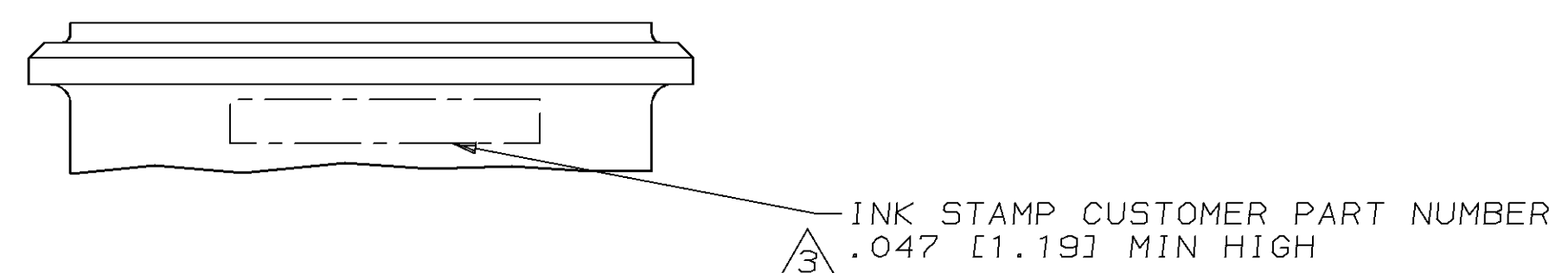
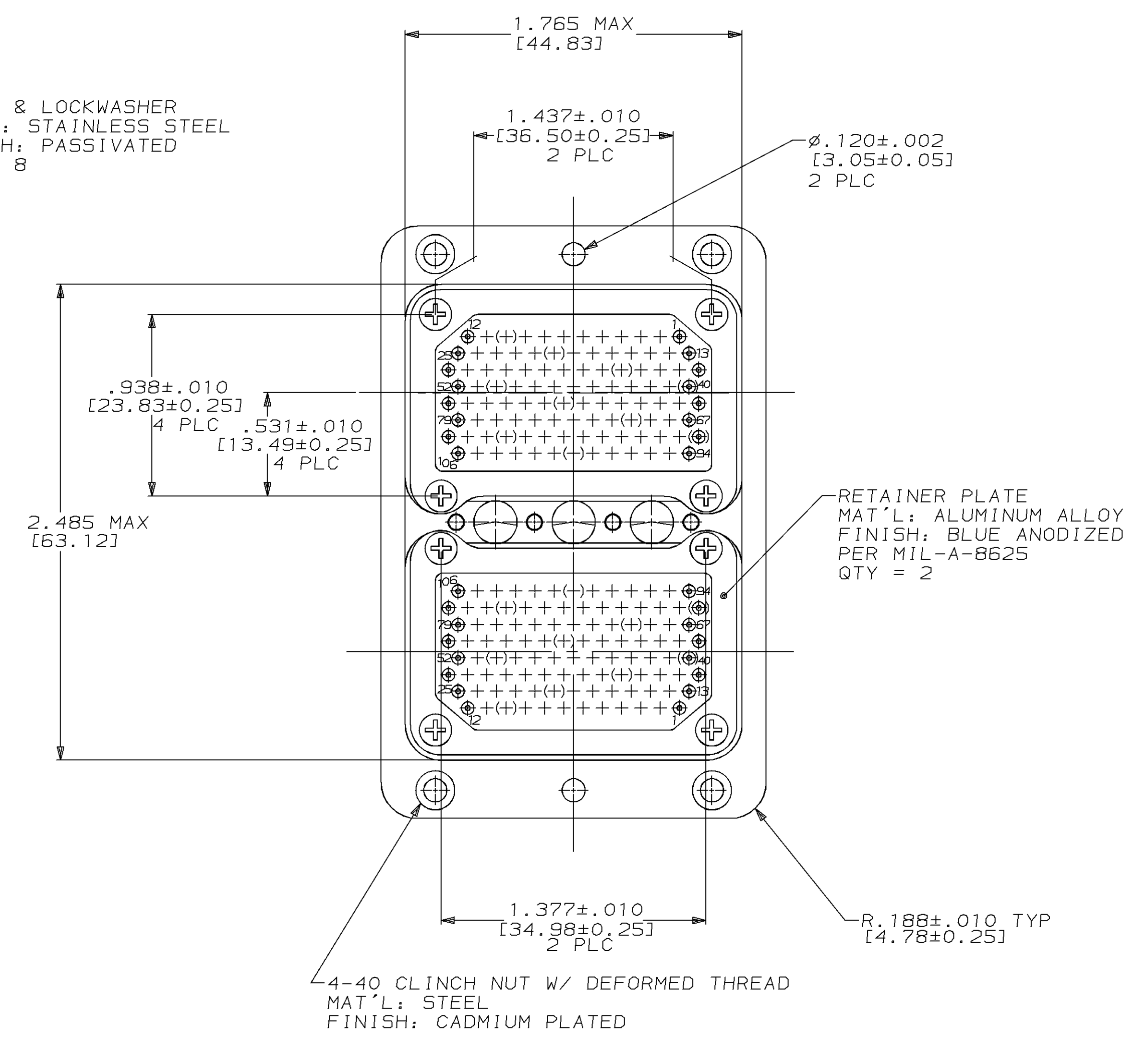
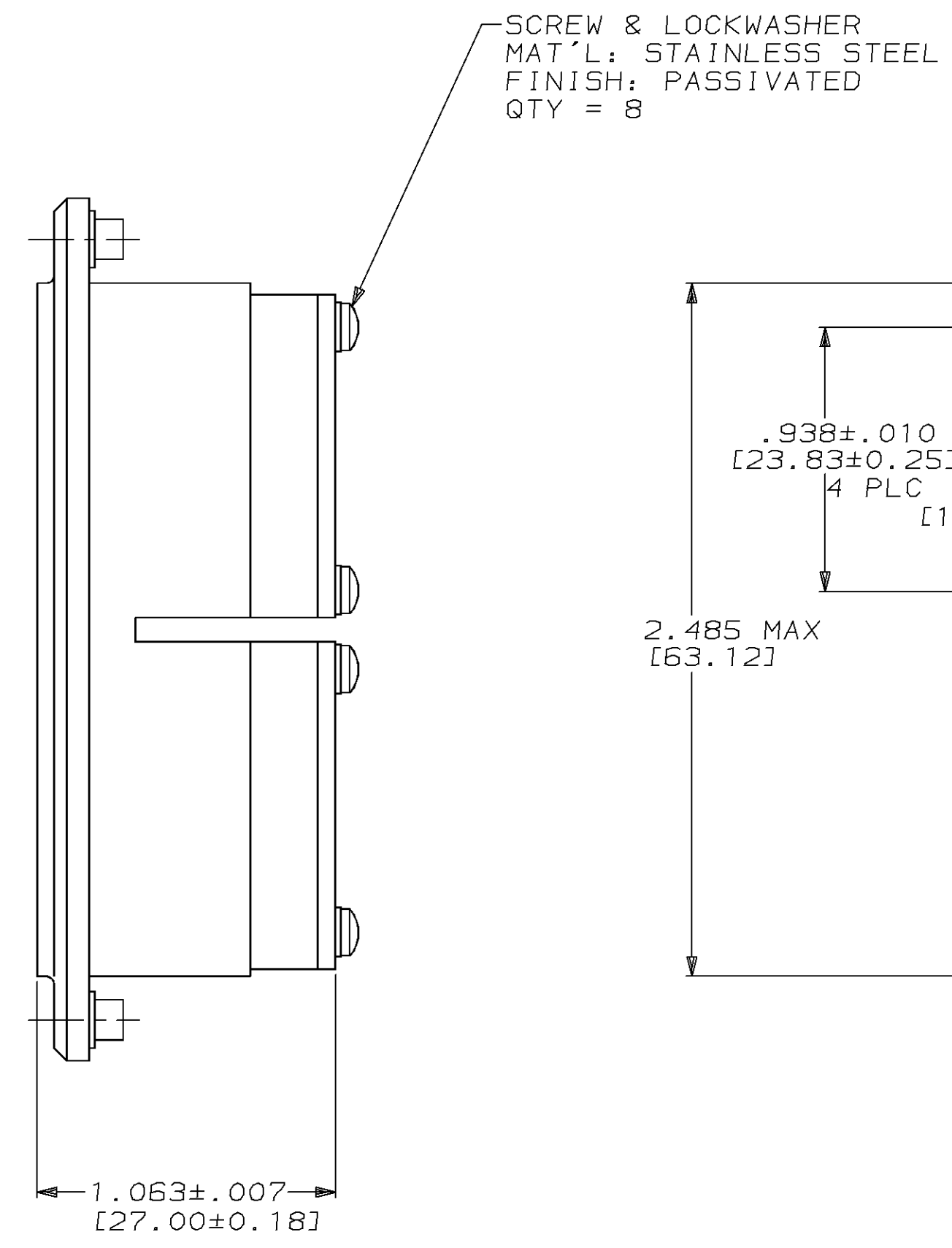
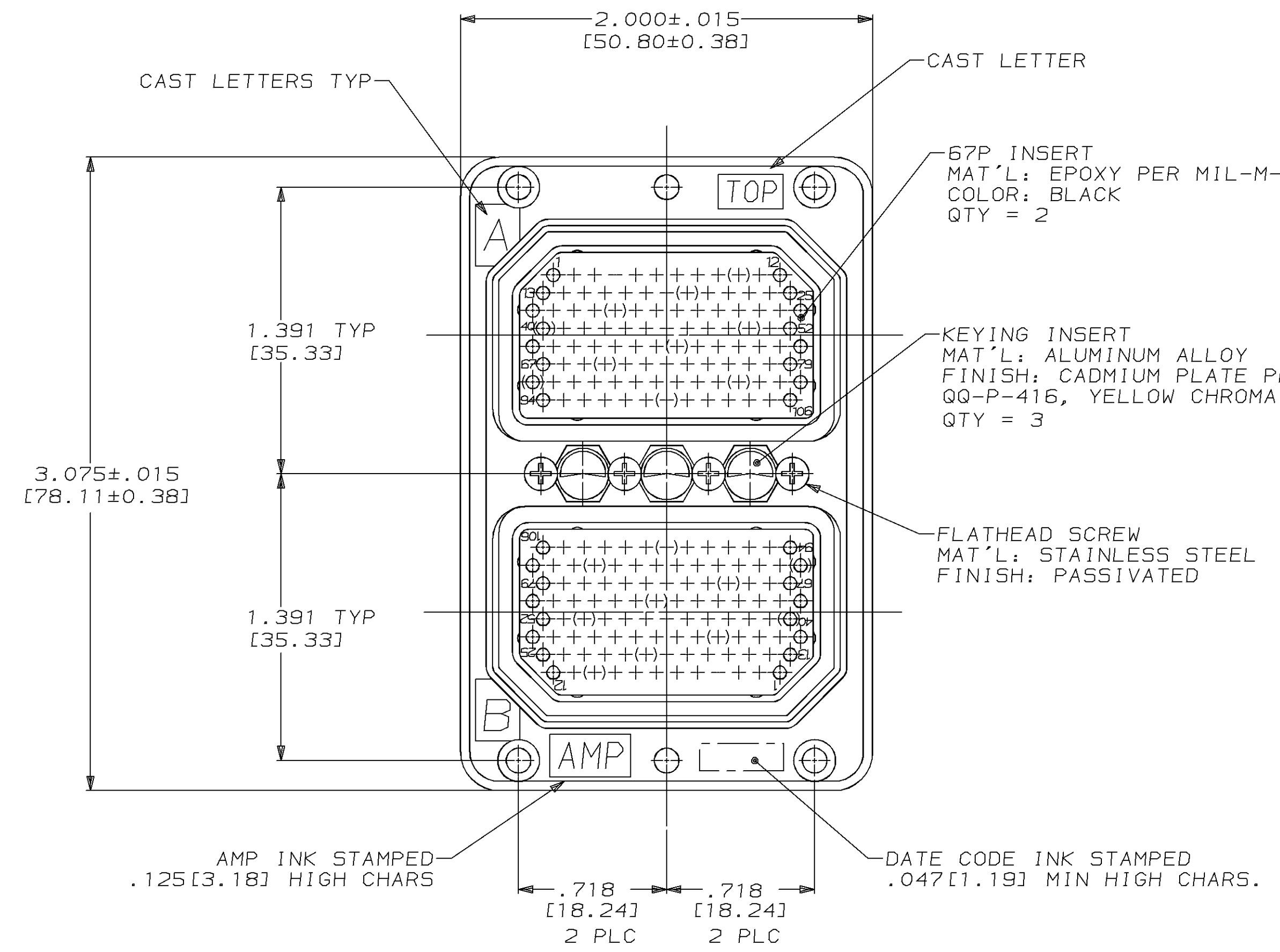
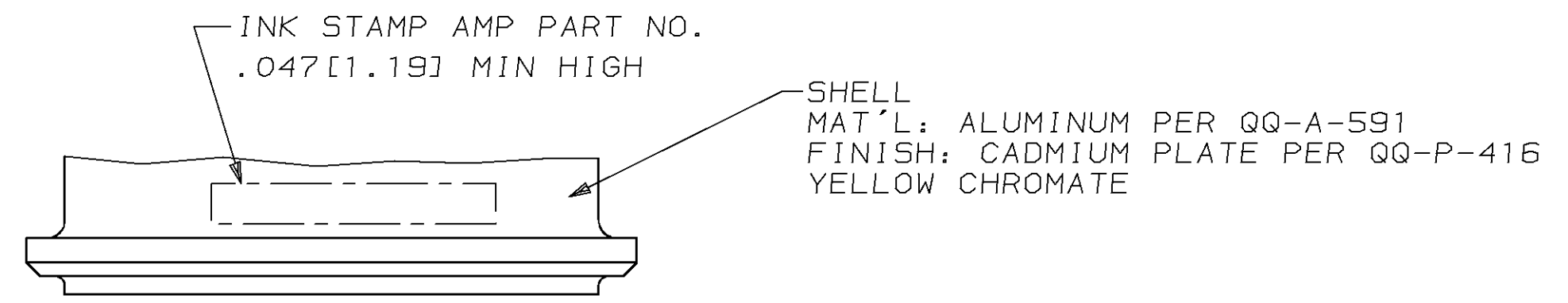
Tel: +86-755-8981 8866 Fax: +86-755-8427 6832

Email & Skype: info@chipsmall.com Web: www.chipsmall.com

Address: A1208, Overseas Decoration Building, #122 Zhenhua RD., Futian, Shenzhen, China



LOC		DIST		REVISIONS			
DF	AO	P	LYR	DESCRIPTION	DATE	DMN	APVD
		0		DRAWN PER 0600-3080-94	12-06-94	TT	KG



- CONTACTS ARE PRELOADED INTO THE CONNECTOR.
- KEYING SHOWN IN POSITION "01".
- THE CONNECTOR SHALL BE MARKED WITH THE MCDONNELL DOUGLAS CONTROL NUMBER "B33B0145-1".

<small>THIS DRAWING IS A CONTROLLED DOCUMENT AND THE INFORMATION CONTAINED HEREIN IS UNCLASSIFIED UNLESS INDICATED OTHERWISE. IT IS SUBJECT TO CHANGE AND THE CONTROLLING ENGINEERING DEPARTMENT SHALL BE ADVISED FOR THE LATEST REVISION.</small>		DMN T. THOMPSON 12-02-94 CHK K. GUARAGNO 12-02-94 APVD K. GUARAGNO 12-02-94	AMP Incorporated Harrisburg, PA 17105-3608
DIMENSIONS: (IN (mm))	TOLERANCES UNLESS OTHERWISE SPECIFIED: 0 PLC ±- 1 PLC ±- 2 PLC ±- 3 PLC ±.005 (0.13) 4 PLC ±- ANGLES ±- FINISH -	NAME DUAL RECEPTACLE, ARINC 404, RM2R67P67P-0104	SIZE A1
MATERIAL	FINISH	APPLICATION SPEC WEIGHT CUSTOMER DRAWING	CAGE CODE 00779
		DRAWING NO 443098	SCALE 2:1
		SHEET 1 OF 1	REV 0