



Chipsmall Limited consists of a professional team with an average of over 10 year of expertise in the distribution of electronic components. Based in Hongkong, we have already established firm and mutual-benefit business relationships with customers from,Europe,America and south Asia,supplying obsolete and hard-to-find components to meet their specific needs.

With the principle of “Quality Parts,Customers Priority,Honest Operation,and Considerate Service”,our business mainly focus on the distribution of electronic components. Line cards we deal with include Microchip,ALPS,ROHM,Xilinx,Pulse,ON,Everlight and Freescale. Main products comprise IC,Modules,Potentiometer,IC Socket,Relay,Connector.Our parts cover such applications as commercial,industrial, and automotives areas.

We are looking forward to setting up business relationship with you and hope to provide you with the best service and solution. Let us make a better world for our industry!



Contact us

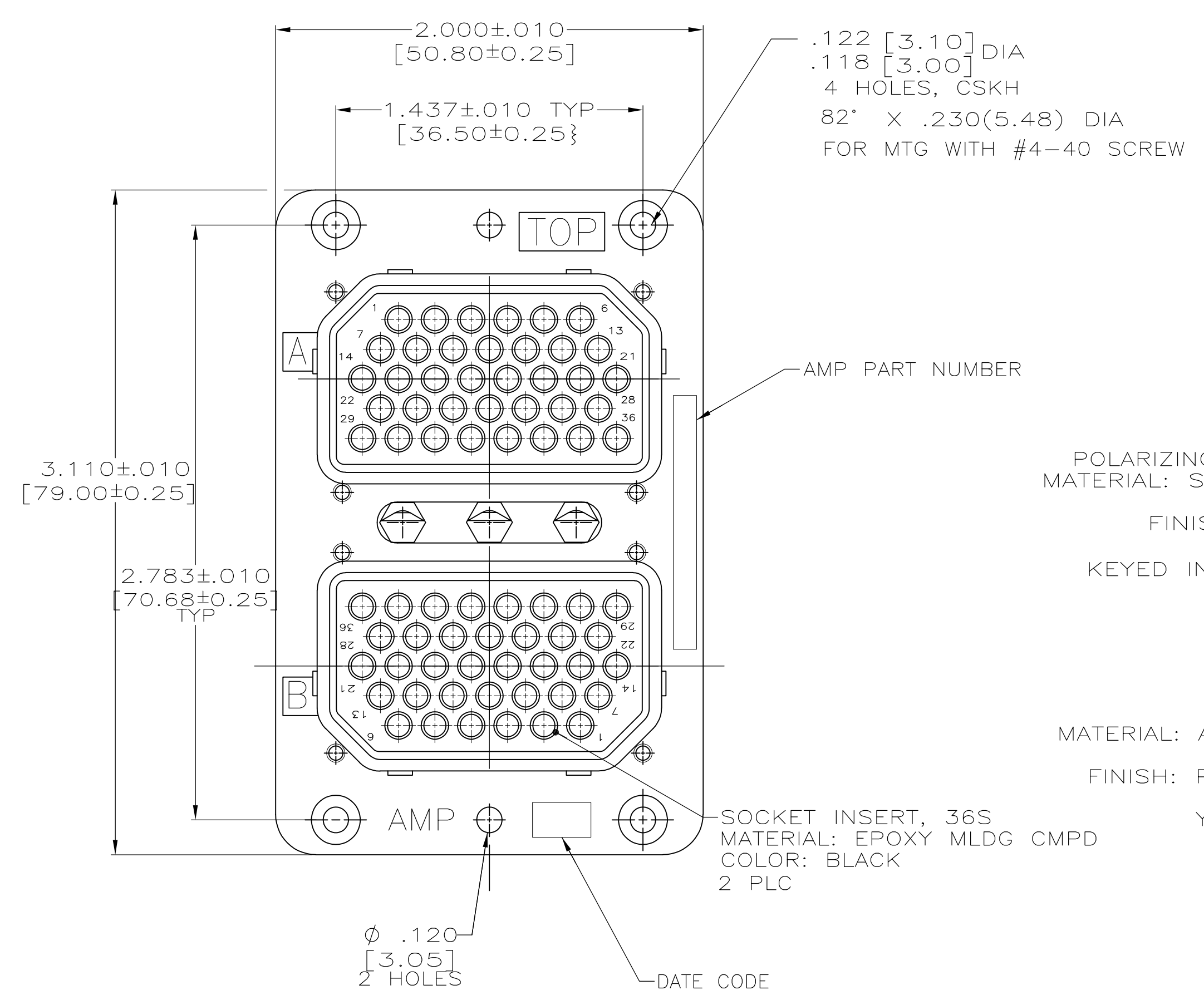
Tel: +86-755-8981 8866 Fax: +86-755-8427 6832

Email & Skype: info@chipsmall.com Web: www.chipsmall.com

Address: A1208, Overseas Decoration Building, #122 Zhenhua RD., Futian, Shenzhen, China

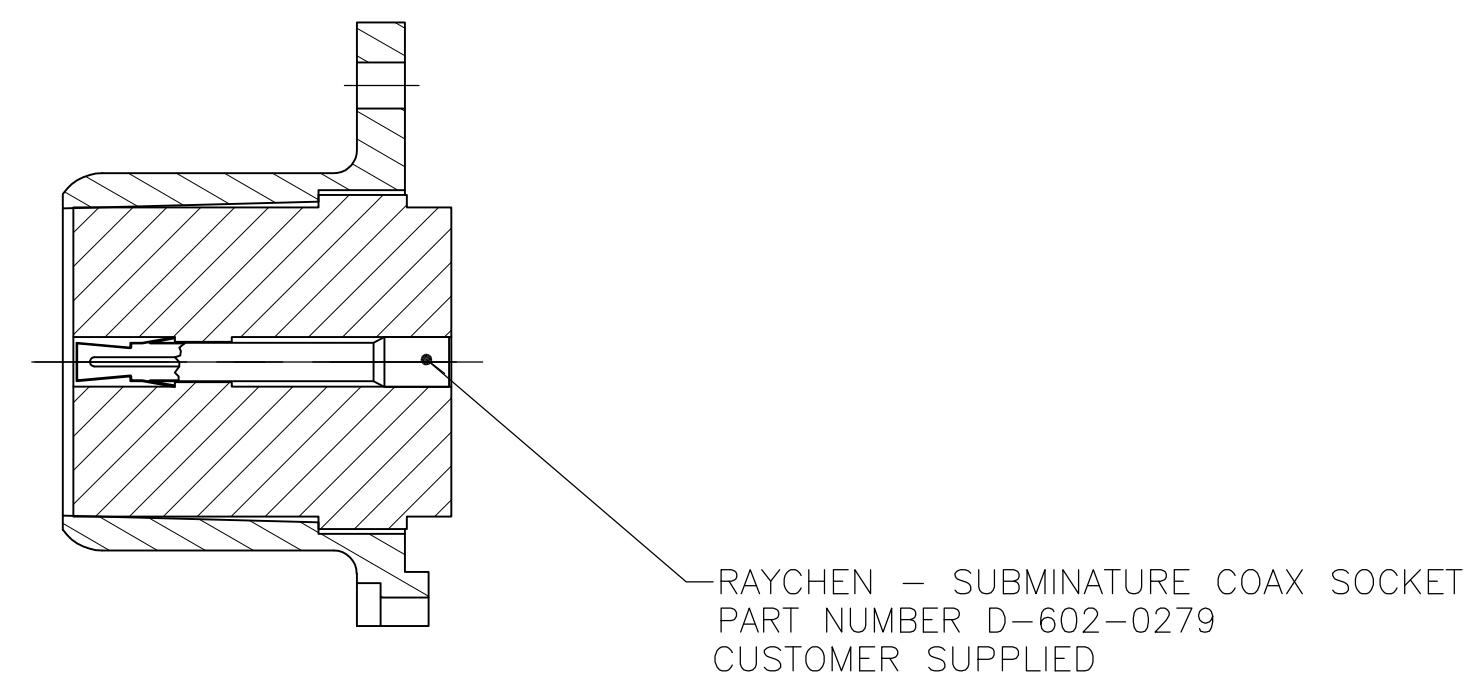
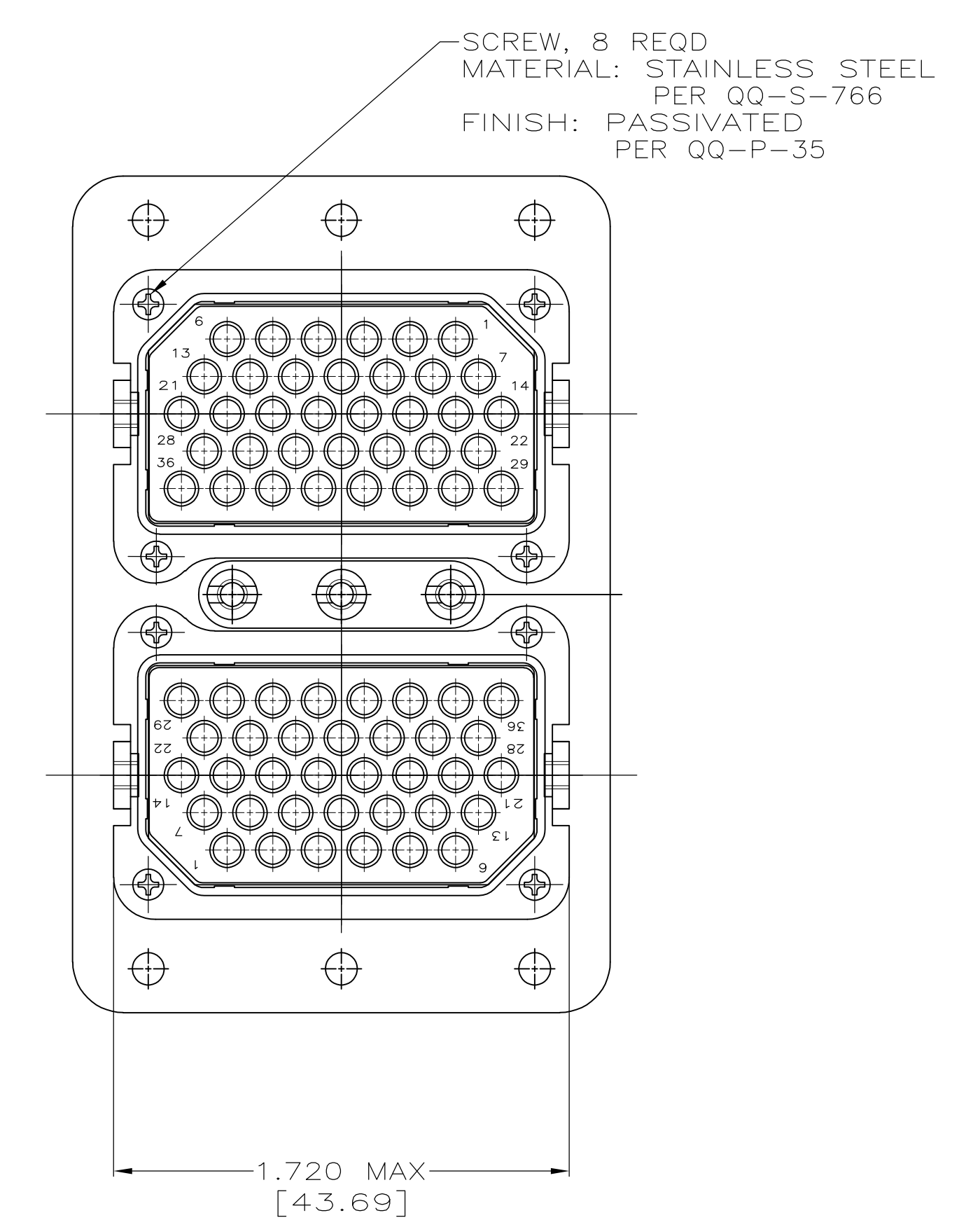
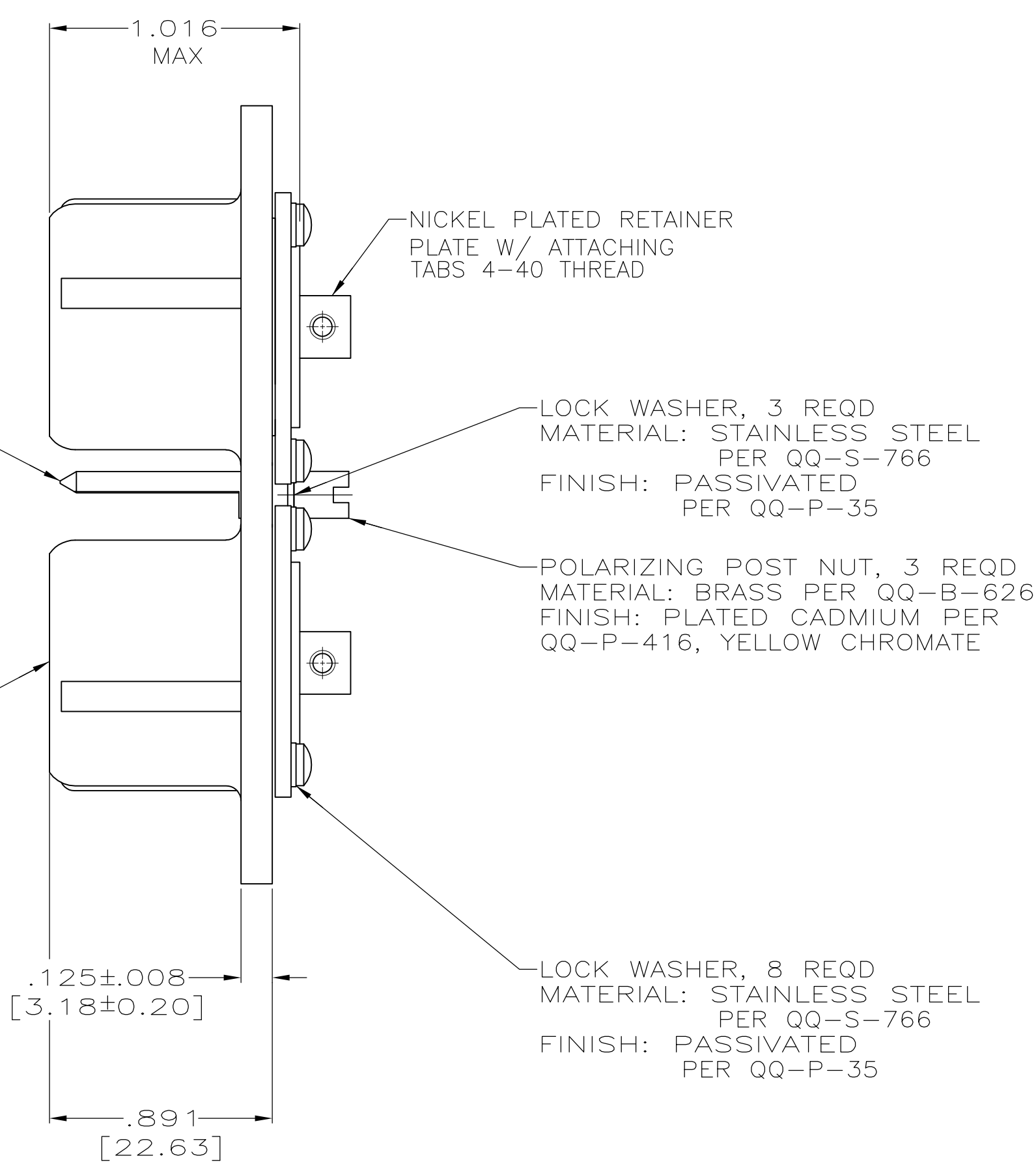


LOC		DIST		REVISIONS			
P	LTR	DESCRIPTION	DATE	DN	APVD		
A		REV PER ECO-10-023758	14JAN11	PY	DE		



POLARIZING POST, 3 REQD
 MATERIAL: STAINLESS STEEL
 PER ASTM-A-582
 FINISH: PASSIVATED
 PER QQ-P-35
 KEYED IN "01" POSITION

PLUG SHELL
 MATERIAL: ALUMINUM ALLOY
 PER QQ-A-591
 FINISH: PLATED CADMIUM
 PER QQ-P-416
 YELLOW CHROMATE



443158-1
 PART NO.

THIS DRAWING IS A CONTROLLED DOCUMENT.		DN C.C.THOMAS 2-21-96	Tyco Electronics Corporation Harrisburg, PA 17105-3608	
DIMENSIONS: INCHES		CHK K.GUARAGNO 2-26-96	APVD K.GUARAGNO 2-26-96	
TOLERANCES UNLESS OTHERWISE SPECIFIED:		NAME RM2P36S36S-02 (SPECIAL)		
0 PLC ± -	1 PLC ± -	PRODUCT SPEC		
2 PLC ± -	3 PLC ± .005 [0.13]	APPLICATION SPEC		
4 PLC ± -	ANGLES ± -	RESTRICTED TO		
MATERIAL -	FINISH -	SIZE A1	CAGE CODE 00779	DRAWING NO 443158
CUSTOMER DRAWING		SCALE 2:1	SHEET 1 of 1	REV A