



Chipsmall Limited consists of a professional team with an average of over 10 year of expertise in the distribution of electronic components. Based in Hongkong, we have already established firm and mutual-benefit business relationships with customers from,Europe,America and south Asia,supplying obsolete and hard-to-find components to meet their specific needs.

With the principle of “Quality Parts,Customers Priority,Honest Operation,and Considerate Service”,our business mainly focus on the distribution of electronic components. Line cards we deal with include Microchip,ALPS,ROHM,Xilinx,Pulse,ON,Everlight and Freescale. Main products comprise IC,Modules,Potentiometer,IC Socket,Relay,Connector.Our parts cover such applications as commercial,industrial, and automotives areas.

We are looking forward to setting up business relationship with you and hope to provide you with the best service and solution. Let us make a better world for our industry!



## Contact us

Tel: +86-755-8981 8866 Fax: +86-755-8427 6832

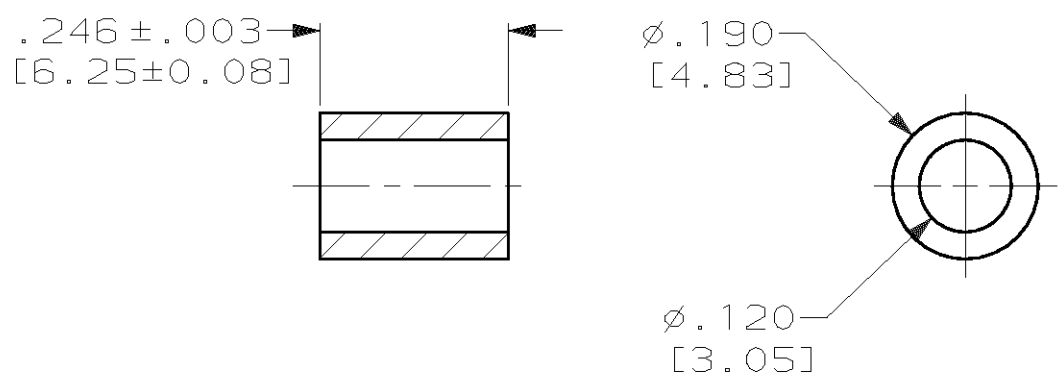
Email & Skype: info@chipsmall.com Web: www.chipsmall.com

Address: A1208, Overseas Decoration Building, #122 Zhenhua RD., Futian, Shenzhen, China



LOC	DIST	REVISIONS					
DF	DO	P	LTR	DESCRIPTION	DATE	DWN	APVD
		B		PER EC 0GED-0584-01 DBK	8/02	CT	CB

- 1 MATERIAL: ALUMINUM ALLOY PER ASTM-B-211.
- 2 IRIDITE PER MIL-C-5541 CLASS 3, COLOR: COLD



2	BULK PACKAGE	2	443279-1	443279-3
2	ONE KIT PER BAG	2	443279-1	443279-2
2	-	AR	1	443279-1
FINISH	PACKAGING	QTY	MATERIAL	PART NUMBER

THIS DRAWING IS UNPUBLISHED. RELEASED FOR PUBLICATION 1994. ALL RIGHTS RESERVED. BY AMP INCORPORATED. COPYRIGHT 1994.

DIMENSIONS: IN [mm]	DWN	04-03-95	MATERIAL	SEE TABLE	FINISH	SEE TABLE
	CHK	04-03-95	AMP Incorporated Harrisburg, PA 17105-3608			
TOLERANCES UNLESS OTHERWISE SPECIFIED:	APVD	04-03-95				
0 PLC ±-	PRODUCT SPEC	-	NAME SPACER, LOW PROFILE			
1 PLC ±-	APPLICATION SPEC	-				
2 PLC ±-	WEIGHT	-	SIZE	CAGE CODE	DRAWING NO	
3 PLC ±.005[0.13]			A4	00779	C-443279	
4 PLC ±-			CUSTOMER DRAWING			
ANGLES ±-			SCALE	4:1	SHEET	1 OF 1
			REV B			