



Chipsmall Limited consists of a professional team with an average of over 10 year of expertise in the distribution of electronic components. Based in Hongkong, we have already established firm and mutual-benefit business relationships with customers from,Europe,America and south Asia,supplying obsolete and hard-to-find components to meet their specific needs.

With the principle of “Quality Parts,Customers Priority,Honest Operation,and Considerate Service”,our business mainly focus on the distribution of electronic components. Line cards we deal with include Microchip,ALPS,ROHM,Xilinx,Pulse,ON,Everlight and Freescale. Main products comprise IC,Modules,Potentiometer,IC Socket,Relay,Connector.Our parts cover such applications as commercial,industrial, and automotives areas.

We are looking forward to setting up business relationship with you and hope to provide you with the best service and solution. Let us make a better world for our industry!



## Contact us

Tel: +86-755-8981 8866 Fax: +86-755-8427 6832

Email & Skype: info@chipsmall.com Web: www.chipsmall.com

Address: A1208, Overseas Decoration Building, #122 Zhenhua RD., Futian, Shenzhen, China



**Table of Contents**

Introduction .....6-2 to 6-4

**LGH Lead Assemblies and Receptacles**

5 KVDC, LGH 1/4 .....6-4

10 KVDC, LGH 1/2 .....6-5 to 6-8

15 KVDC, LGH 1/2 L .....6-9 to 6-11

20 KVDC, LGH 1 .....6-12 to 6-15

25 KVDC, LGH 1 L .....6-16 to 6-18

30 KVDC, LGH 2 .....6-19, 6-20

40 KVDC, LGH 3 .....6-21 to 6-23

50 KVDC, LGH 4 .....6-24 to 6-26

**Commercial Single Line Connectors**

Introduction .....6-27

10 KVDC .....6-28

20 KVDC .....6-29

30 KVDC .....6-30

**Two-Position Connectors, 10 KVDC .....6-31 to 6-33**

**Multi-Pin Circular Commercial Connectors, 27 KVDC .....6-34, 6-35**

**Multi-Line High Voltage Connectors .....6-36**

**5-Pin, Metal-Shell Circular Connectors, Military-Type .....6-37, 6-38**

**7-Pin, Metal-Shell Circular Connectors, Military-Type .....6-39, 6-40**

**6-Pin, Subminiature Rectangular Connectors .....6-41 to 6-45**

**LGH Micro-Miniature Connectors and Cable Assemblies .....6-46 to 6-49**

**Medical Receptacles (Used Primarily for Patient Monitoring) .....6-50, 6-51**

**9 Position LGH MATE-N-LOK Style Connectors .....6-52**

**Various Specials**

6 Position LGH Connector .....6-53, 6-54

3 Position LGH Compact Flange Mounted Connector .....6-53, 6-55

Printed Circuit Board Receptacles .....6-56

Multiple Receptacle with Integral, Molded Flange for Bulkhead Applications (Gold Pins) .....6-56

CRT Lead Assemblies .....6-57, 6-58

CRT-Base Connectors .....6-59, 6-60

Rack and Panel Connectors .....6-61, 6-62

Heavy Duty (VRL) RFI-Shielded Lead Assemblies and Receptacles .....6-63

Field Installable Connectors .....6-64

**Accessories .....6-65**

**LGH Product Worksheet for Ordering Custom Designs .....6-66**



### Introduction

#### Product Facts

- No exposed high voltage parts
- Space saving — maximum performance from small size and weight
- Fast connect and disconnect
- Wide temperature range — -67°F to +257°F [-55°C to +125°C], continuous
- Positive mating of lead into receptacle
- Hermetically sealed
- RFI shielding — optional
- Fungus, moisture, oil, and chemical resistant
- High altitude operation — at any altitude without voltage derating
- Excellent mechanical strength — resists vibration and shock
- High dielectric strength
- Preamsembled — no tools required
- High reliability — operates under extreme environmental conditions
- Unaffected by ultra-violet light
- Corona resistant — virtually unaffected by ozone or corona
- Radiation resistant
- Lead wire remains flexible to -67°F [-55°C]
- Non-toxic insulation — does not give off toxic fumes when burned
- Excellent shelf life
- Meets applicable military specifications
- Color coded for easy identification
- Quick, easy installation



The development of high voltage hermetically sealed connectors and LGH High Voltage Lead Assemblies and Receptacles represented two major advances in the science of high voltage application — both pioneered by Tyco Electronics. As a result of this technological advantage, Tyco Electronics is the leading manufacturer of high voltage, high altitude, high temperature lead assemblies and connectors. In the field of high voltage application, Tyco Electronics

has conducted extensive research, development, quality studies and reliability programs yielding numerous standard products for military and industrial high voltage applications.

LGH High Voltage Lead Assemblies and Receptacles are used in many systems' designed to meet or exceed military specifications. A sampling of specifications to which samples of these products have been tested, is listed to the right.

For more information contact Tyco Electronics.

#### LGH Test Methods and Conditions

LGH Leads and Receptacles, LGH 1/4 through LGH 4

**Product Spec.** — 108-36033  
EIA RS-364

#### Electrical

**Dielectric Withstanding Voltage** — EIA-364-20 Condition I (MS202, Method 301)

**Insulation Resistance** — EIA-364-21, (MS202, Method 302)

#### Mechanical

**Vibration, Sinusoidal** — EIA-364-28, Test Condition I, (MS202, Method 201)

**Shock** — EIA-364-27, Method H

#### Environmental

**Barometric Pressure** — Sea Level to 70,000 feet, MIL-Std-202, Method 105, Condition C

**Thermal Shock** — EIA-364-32, 5 cycles -67°F to +257°F [-55°C to +125°C]

### Lead Assemblies and Receptacles

#### Voltage Ratings

The voltage ratings tabulated here and noted elsewhere apply to LGH molded-end lead assemblies properly mated with appropriate LGH receptacles, which are properly potted or otherwise protected on the back end.

**LGH Lead Assemblies** are manufactured with a silicone rubber end having a specified mating length (see above table) molded onto a 16 AWG white silicone rubber wire. These assemblies provide extreme reliability and safety for high voltage applications in severe environments.

**Minimum Bend Radii, nominal**, for cables without additional covering over silicone insulation and for shielded cable.

LGH Series	Insulation Type	
	Standard	Shielded
1/4, 1/2, 1/2L	.25 6.4	.75 19.0
1, 1L, 3	.50 12.7	1.00 25.4
2, 4	1.00 25.4	1.50 38.1

#### Maximum Conductor Resistance

All Series	4.75 ohms/1000 ft. 15.6 ohms/1000m.
------------	--

TEFLON is a trademark of E. I. DuPont de Nemours and Company.

## LGH High Voltage Connectors

### Introduction (Continued)

LGH leads and receptacles find wide application where high voltage is used in harsh environments. LGH leads and receptacles are lightweight, miniature, extremely reliable and they maintain peak performance under high temperature, high altitude applications. They are equally applicable to low temperature, low altitude devices.

Leads and receptacles shown on the following pages are commonly used items. Hundreds of variations of these products are available, as well as custom-made units. Consult Tyco Electronics for information on high voltage connectors for applications not satisfied by components listed here.

When ordering LGH items: identify item, list Tyco Electronics part number, and specify quantity. Note: Special packaging, special marking and/or special testing of LGH leads and receptacles are available on request, as well as custom-made assemblies. Consult Tyco Electronics for details.

LGH Series	Mating Length/Depth	Normal Capacitance		Wire Size	Operating Voltage* Kilovolts DC	3 Min. Hipot** Kilovolts DC
		pF/ft.	pF/m			
LGH 1/4	.25 [6.35]	***	—	22 AWG	5	7.5
LGH 1/2	.53 [13.46]	55	180	16 AWG	10	15
LGH 1/2 L	.89 [22.61]	55	180	16 AWG	15	23
LGH 1	.88 [22.35]	35	115	16 AWG	20	30
LGH 1L	1.69 [42.93]	35	115	16 AWG	25	38
LGH 2	1.44 [36.58]	28	144	16 AWG	30	45
LGH 3	1.81 [45.97]	35	115	16 AWG	40	55
LGH 4	2.00 [50.80]	28	144	16 AWG	50	60

\*Sea level to 70,000 ft. [21,336 m], -55°C to +125°C [-67°F to +257°F].

\*\*Sea level at 25°C (77°F).

\*\*\*LGH 1/4 is not shielded

#### Specifications

**Lead Length Tolerance (including pigtail)** — Lengths to 24 [609.6], ±.125 [3.28]; 24 [609.6] and longer, ±1% of length.

**Lead Insulation** — Silicone rubber, durometer reading 60 to 70 (reference MIL-W-16878/8, Type FF); color, white. Lead assemblies with other colors and insulation materials such as PVC and Teflon can be manufactured on request.

**Conductors (per MIL-W-16878/8)** — LGH 1/2, LGH 1/2 L, LGH 1, LGH 1L and

LGH 3 lead assemblies contain 41 strands minimum of 32 AWG [0.03 mm<sup>2</sup>] wire, silver plated, to compose a 16 AWG [1.25 mm<sup>2</sup>] stranded conductor .06 nominal O.D. [1.5]; LGH 2 and LGH 4 lead assemblies contain 19 strands minimum of 29 AWG [0.07 mm<sup>2</sup>] wire, silver plated, to compose a 16 AWG [1.25 mm<sup>2</sup>] stranded conductor .06 nominal O.D. [1.5]. Silver plating is per ASTM-B298-58T.

**Pigtail** — Solder dipped

**Socket** — Bronze per ASTM-140, alloy B, gold plated per MIL-G-45204,

Type II, (0.000030 [0.00076] gold over 0.000030 [0.00076] nickel per QQ-N-290). Socket is crimped to lead wire.

**Cap Materials** — Polycarbonate glass-filled polyester or glass-filled epoxy.

**Molded End** — Silicone rubber per ZZ-R-765, Class IIa and IIb, grade 60.

**Positive Stop Ferrule** — Glass-filled polyester

**Marking** — Per MIL-STD-130

**Washer** — TFE, electrical grade

#### LGH 1/4 — 22 AWG (19/34)



Single End Lead Assembly



Single End Lead Assembly with Positive Stop Ferrule



Shielded Lead Assembly



RFI Shielded Lead Assembly

**LGH Receptacles** are manufactured in molded glass epoxy having a specified mating depth (see table on previous page). When used with LGH lead assemblies they offer the ultimate in dependability, even under harsh environmental conditions. Typical receptacles are shown here. Specific units, with part numbers, are shown by series in the following pages.

### LGH Receptacles for Canned Units

These receptacles are for hermetically sealed, gas- or oil-filled units, and they are recommended for canned units filled with potting compound.\*\*

\*\*CAUTION: Follow manufacturer's instructions on preparing and handling potting. LGH voltage ratings apply only when a proper bond is achieved between the back end of the receptacle and the compound.

### LGH Receptacles for Cast or Encapsulated Units

These units are for use where no metal can is required.

### Specifications (All units)

**Pin Assembly** — Brass per ASTM-B-16 and QQ-B-626; tin plated per MIL-T-10727, Type I or II, .00010" min. thickness.\*

**Body** — Molded glass-filled epoxy

**Marking** — Per MIL-STD-130

### (Canned units only)

**Solder Flange** — Brass per ASTM-B-16 and QQ-B-626; tin plated per MIL-T-10727, Type I or II, .00010" min. thickness

**Hermeticity** — Leak rate less than  $1 \times 10^{-8}$  cc He/sec. per MIL-STD-202, Method 112B, Cond. C.

\*Hermetically sealed receptacles are plated after molding therefore we cannot guarantee the minimum thickness of copper under plating .000100 [0.00254] on the mating end of the pin contact.



Glass-epoxy receptacle for encapsulated units



Glass-epoxy receptacle for splice application



Hermetically sealed, glass-epoxy receptacle for canned units



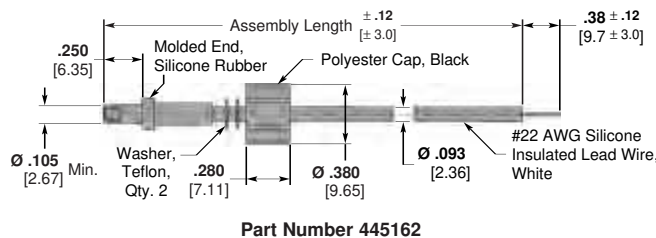
Glass-epoxy, flanged receptacle for bulkhead splice applications



Glass-epoxy, flanged receptacle for bulkhead applications

## LGH Lead Assemblies and Receptacles, 5 KVDC, LGH 1/4

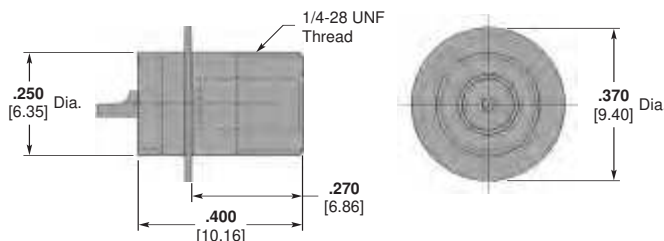
### Single End Lead Assemblies



Assembly Length	Part Number
6.0	445162-1
152.4	445162-2
304.8	5-445162-2*
457.2	445162-3
609.6	445162-4

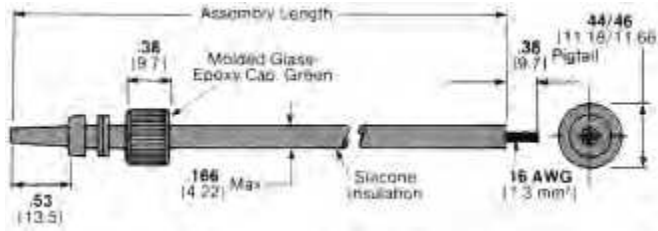
\*RoHS compliant Part Number.

### Receptacle, Metal Flange



LGH Lead Assemblies and Receptacles, 10 KVDC, LGH 1/2

Single End Lead Assemblies

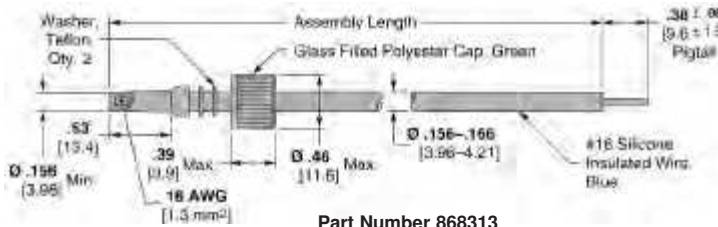


Part Number 830611

Assembly Length	Part Number
6.0	2-830611-1
152.4	2-5830611-1*
12.0	4-830611-8
304.8	4-5830611-8*
18.0	2-830611-5
457.2	2-5830611-5*
24.0	830611-1
609.6	5830611-1*
36.0	1-830611-0
914.4	1-5830611-0*
48.0	2-830611-3
1219.2	2-5830611-3*

\*RoHS compliant Part Number.

Single Molded End Lead Assemblies

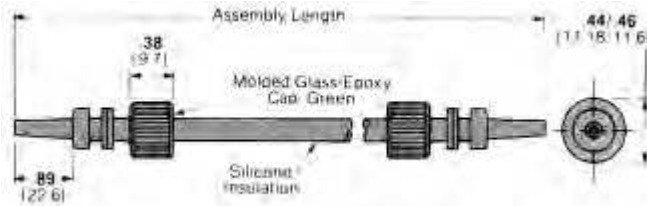


Part Number 868313

Assembly Length	Part Number
24.0	868313-3
609.6	5-868313-3*

\*RoHS compliant Part Number.

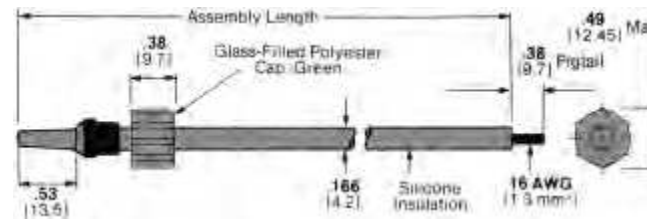
Double End Lead Assemblies



Part Number 830612

Assembly Length	Part Number
6.0	830612-3
152.4	830612-2
12.0	830612-2
304.8	830612-2
18.0	830612-8
457.2	830612-8
24.0	830612-1
609.6	830612-1
36.0	2-830612-6
914.4	2-830612-6
48.0	830612-4
1219.2	830612-4

Single End Lead Assemblies with Positive Stop Ferrules

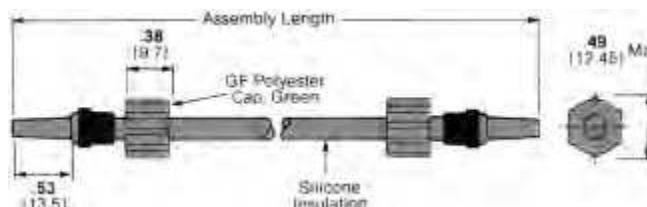


Part Number 862545

Assembly Length	Part Number
6.0	862545-1
152.4	5-862545-1*
12.0	862545-4
304.8	5-862545-4*
18.0	862545-6
457.2	5-862545-6*
24.0	862545-8
609.6	5-862545-8*
36.0	1-862545-8
914.4	6-862545-8*
48.0	1-862545-1
1219.2	1-862545-1

\*RoHS compliant Part Number.

Double End Lead Assemblies with Positive Stop Ferrules



Part Number 862546

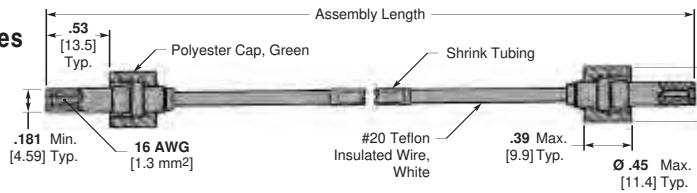
Assembly Length	Part Number
6.0	862546-1
152.4	862546-1
12.0	862546-4
304.8	862546-4
18.0	862546-6
457.2	862546-6
24.0	862546-8
609.6	862546-8
36.0	1-862546-0
914.4	1-862546-0
48.0	1-862546-5
1219.2	1-862546-5

**Note:** Standard length leads are tabulated here. Tyco Electronics can make available numerous variations in lengths and material to suit almost any application. Choices of insulation materials include TEFLON, UL listed silicone and UL listed PVC. Other materials, colors, wire and configurations can be used in manufacture. For more information, consult Tyco Electronics.

TEFLON is a trademark of E. I. DuPont de Nemours and Company.

LGH Lead Assemblies and Receptacles, 10 KVDC, LGH 1/2 (Continued)

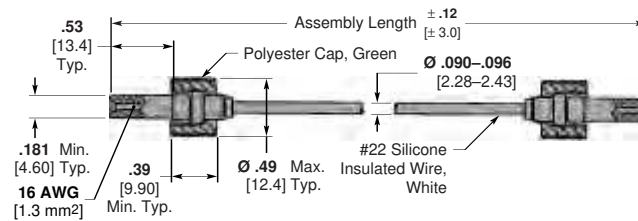
**Double End Lead Assemblies with Positive Stop Ferrules with Teflon Wire**



Part Number 860529

Assembly Length	Part Number
6.0 152.4	860529-2
7.0 177.8	860529-6
10.0 254.0	860529-8
13.0 330.2	1-860529-0
16.0 406.4	860529-4

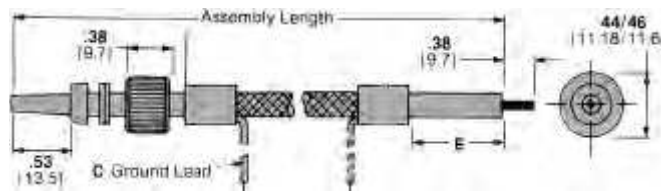
**Double End Lead Assemblies with Positive Stop Ferrules with #22 Wire**



Part Number 449578

Assembly Length	Part Number
11.0 ± .12 279.4 ± 3.0	449578-1

**Shielded Single End Lead Assemblies with Ground Lead**

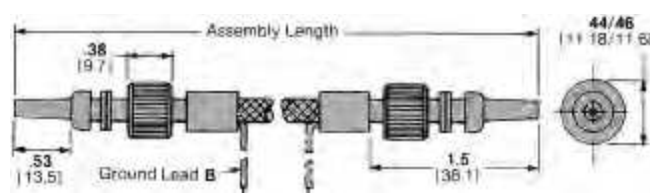


Part Number 846985

Assembly Length	Dims.			Part Number
	C	E		
12.0 304.8	6.0 152.4	2.0 50.8	2.0	846985-9
18.0 457.2	6.0 152.4	1.5 38.1	1.5	2-846985-2
24.0 609.6	6.0 152.4	1.5 38.1	1.5	2-846985-3
36.0 914.4	12.0 304.8	2.0 50.8	2.0	1-846985-8

\*RoHS compliant Part Number.

**Shielded Double End Lead Assemblies with Ground Lead**



Part Number 858885

Assembly Length	Dim. B	Part Number
12.0 304.8	8.0 203.2	858885-3
18.0 457.2	6.0 152.4	2-858885-7
24.0 609.6	8.0 203.2	858885-4
36.0 914.4	6.0 152.4	2-858885-5 7-858885-5*
48.0 1219.2	6.0 152.4	858885-6

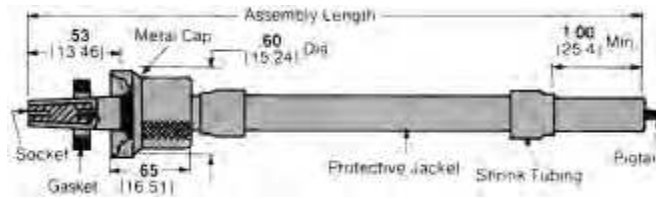
\*RoHS compliant Part Number.

TEFLON is a trademark of E. I. DuPont de Nemours and Company.



LGH Lead Assemblies and Receptacles, 10 KVDC, LGH 1/2 (Continued)

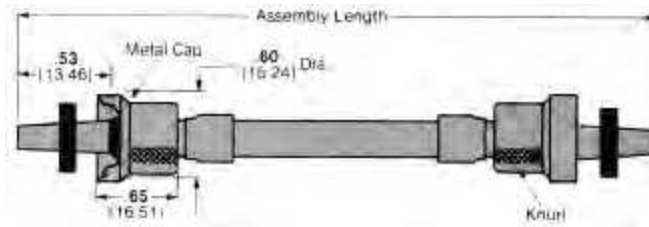
RFI Shielded Single End Lead Assemblies\*



Part Number 861807

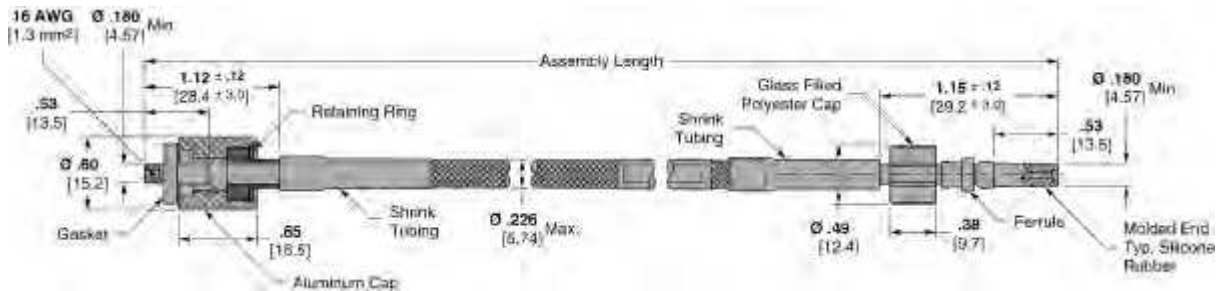
Assembly Length	Part Number
12.0	861807-1
304.8	
18.0	861807-2
457.2	
24.0	861807-7
609.6	
36.0	861807-9
914.4	

RFI Shielded Double End Lead Assemblies\*



Part Number 861808

Assembly Length	Part Number
12.0	861808-1
304.8	
18.0	861808-9
457.2	
24.0	1-861808-0
609.6	
36.0	1-861808-2
914.4	
48.0	1-861808-6
1219.2	



Part Number 863330-1

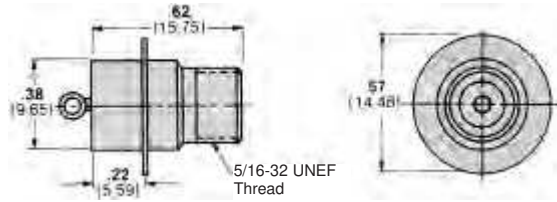
Assembly Length	Part Number
18.0	863330-1
457.2	

\* These RFI Shielded Lead Assemblies mate with Receptacle Part Number 861252-1.



**Glass-Epoxy Receptacles with .53 [13.46] Barrel Depth**

Flanged, for Hermetic Seal  
 Part Number 861252-1  
 RoHS Part Number 5-861252-1  
 Weight — 2 grams

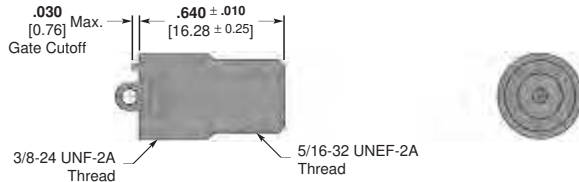


For Encapsulated Units  
 Part Number 830178-1  
 RoHS Part Number 5-830178-1  
 Weight — 1.2 grams



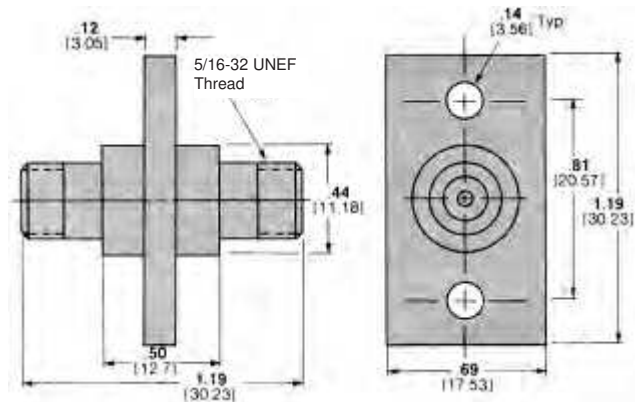
Receptacles are available with gold plated contacts.

**Special Receptacle Part Number 448462-1**

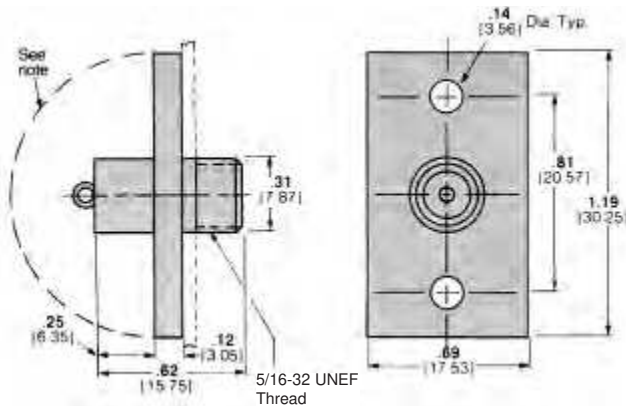


Note: Receptacle will accept a LGH 1/2 lead with a .53 [13.5] molded end length.

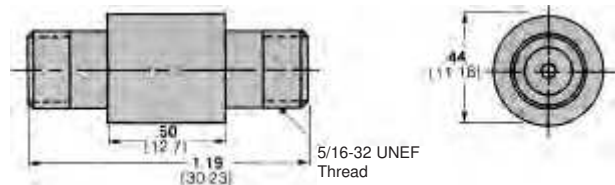
**Bolt-mount, Feed-through Part Number 830174-1**  
 Weight — 5.8 grams



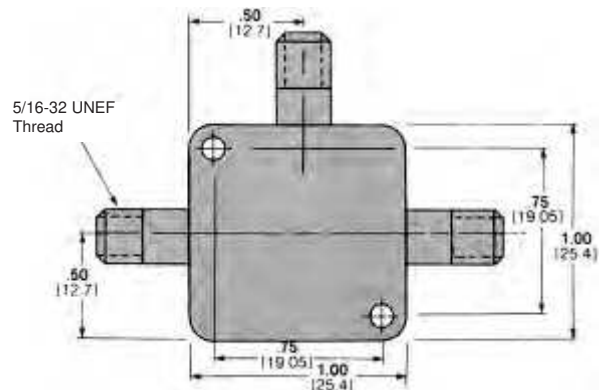
Flanged, Bolt Mount  
 Part Number 830395-1  
 RoHS Part Number 5-830395-1  
 Weight — 4.2 grams



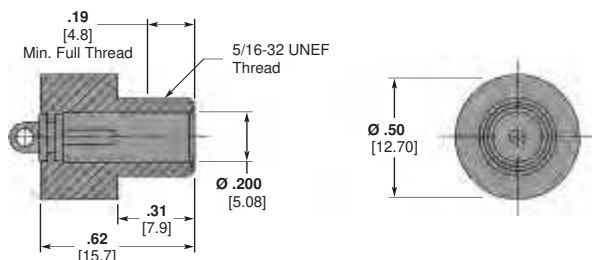
**Splice Part Number 830177-1**  
 Weight — 3.5 grams



**T Connector Part Number 849418-1**  
 Weight — 15 grams



**Receptacle Part Number 830200-1**  
 RoHS Part Number 5-830200-1



Note: Receptacle to mate with LGH 1/2 Lead Assembly.

LGH Lead Assemblies and Receptacles, 15 KVDC, LGH 1/2 L

Single End Lead Assemblies

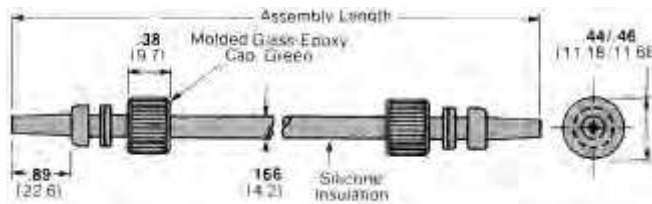


Part Number 830613

Assembly Length	Part Number
6.0 152.4	1-830613-0
12.0 304.8	830613-2 5830613-2*
18.0 457.2	1-830613-2 1-5830613-2*
24.0 609.6	830613-1 5830613-1*
36.0 914.4	830613-7 5830613-7*
48.0 1219.2	1-830613-4 1-5830613-4*

RoHS compliant Part Number.

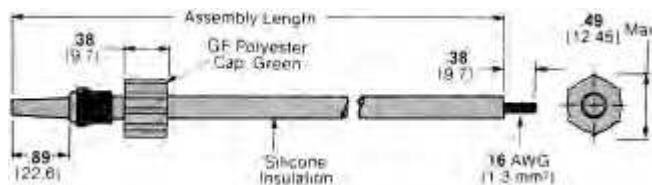
Double End Lead Assemblies



Part Number 830614

Assembly Length	Part Number
6.0 152.4	1-830614-5
12.0 304.8	830614-2
18.0 457.2	830614-3
24.0 609.6	830614-1
36.0 914.4	1-830614-6
48.0 1219.2	2-830614-5

Single End Lead Assemblies with Positive Stop Ferrules

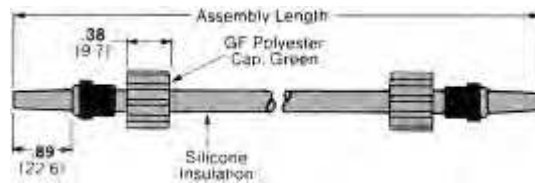


Part Number 862547

Assembly Length	Part Number
6.0 152.4	862547-1
12.0 304.8	862547-4 5-862547-4*
18.0 457.2	862547-6 5-862547-6*
24.0 609.6	862547-8
36.0 914.4	862547-9
48.0 1219.2	1-862547-9 6-862547-9*

RoHS compliant Part Number.

Double End Lead Assemblies with Positive Stop Ferrules

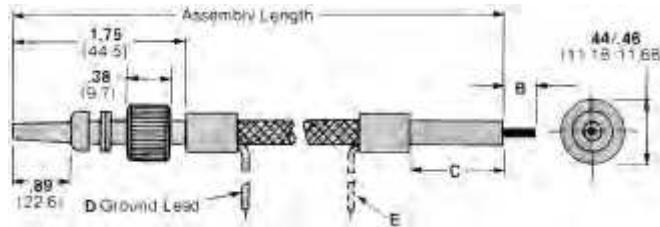


Part Number 862548

Assembly Length	Part Number
6.0 152.4	862548-1
12.0 304.8	862548-4
18.0 457.2	862548-6
24.0 609.6	862548-8
36.0 914.4	1-862548-6
48.0 1219.2	1-862548-4

LGH Lead Assemblies and Receptacles, 15 KVDC, LGH 1/2 L (Continued)

Shielded Single End Lead Assemblies

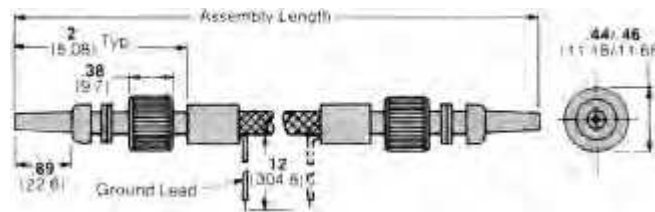


Part Number 858886

Assembly Length	Terminated End		Pigtail End		Part Number	RoHS Part Number
	Ground Lead Length(s) D & E		C	Pigtail Length B		
12.0 304.8	8.0 203.2†		1.5 38.1	.25 6.4	858886-2	5-858886-2
18.0 457.2	8.0 203.2		3.0 76.2	.38 9.7	1-858886-4	—
24.0 609.6	12.0 304.8		3.0 76.2	.38 9.7	1-858886-8	—
36.0 914.4	12.0 304.8*		6.0 152.4	.38 9.7	858886-1	—
	8.0 203.2†		3.0 76.2	.38 9.7	858886-6	—

\*One ground lead, pigtail end only.  
†One ground lead, terminated end only.

Shielded Double End Lead Assemblies

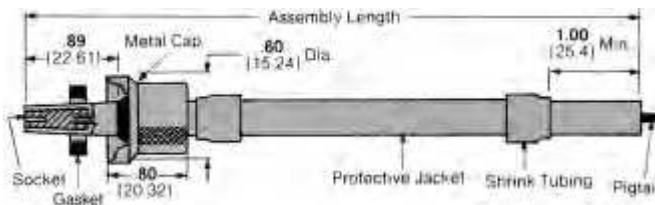


Part Number 858945

Assembly Length	Part Number
12.0 304.8	1-858945-6
18.0 457.2	1-858945-5*
24.0 609.6	2-858945-1
36.0 914.4	858945-3
48.0 1219.2	1-858945-4

\*Two ground leads, 12.0 [304.8] each.

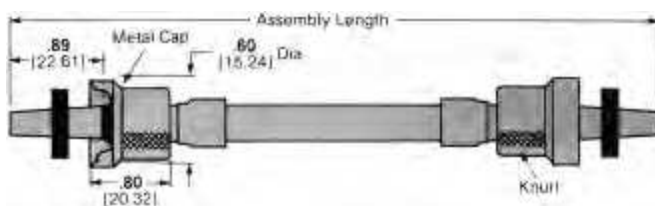
RFI Shielded Single End Lead Assemblies\*



Part Number 861809

Assembly Length	Part Number
12.0 304.8	861809-1
18.0 457.2	861809-4
24.0 609.6	861809-5
36.0 914.4	861809-6

RFI Shielded Double End Lead Assemblies\*



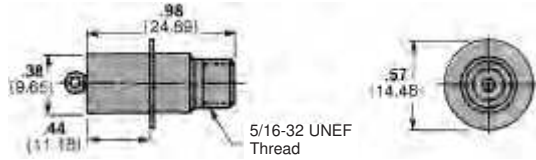
Part Number 861810

Assembly Length	Part Number
12.0 304.8	861810-1
18.0 457.2	861810-6
24.0 609.6	861810-7
36.0 914.4	861810-9

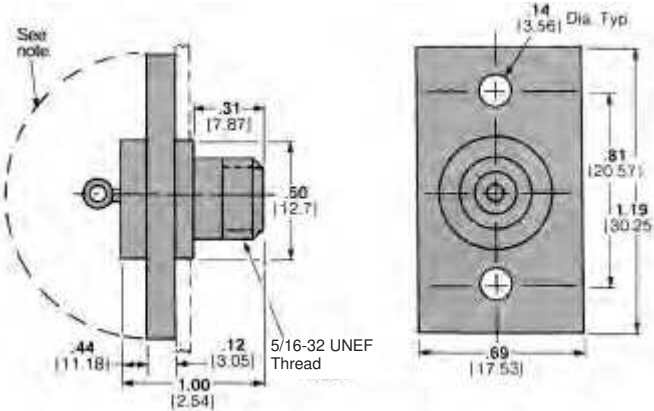
\* These RFI Shielded Lead Assemblies mate with Receptacle Part Number 861253-1.

**Glass-Epoxy Receptacles with .89 [22.61] Barrel Depth**

Flanged, For Hermetic Seal  
Part Number 861253-1  
RoHS Part Number 5-861253-1  
Weight — 3 grams

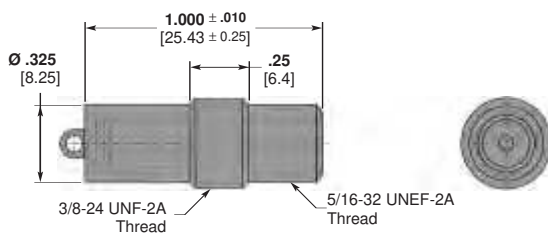


Flanged, Bolt Mount  
Part Number 858857-1  
RoHS Part Number 5-858857-1  
Weight — 6 grams



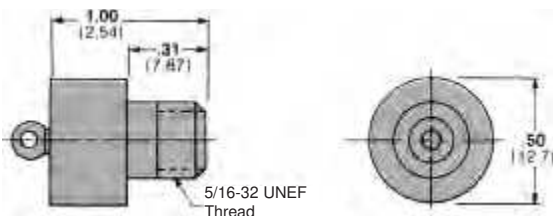
**Note:** If the panel or mounting hardware is at ground potential, guard against arc-over and breakdown within the area defined by this line.

**Special Receptacle**  
Part Number 448464-1



**Note:** Receptacle will accept a LGH 1/2 L lead with a .89 [22.6] molded end length.

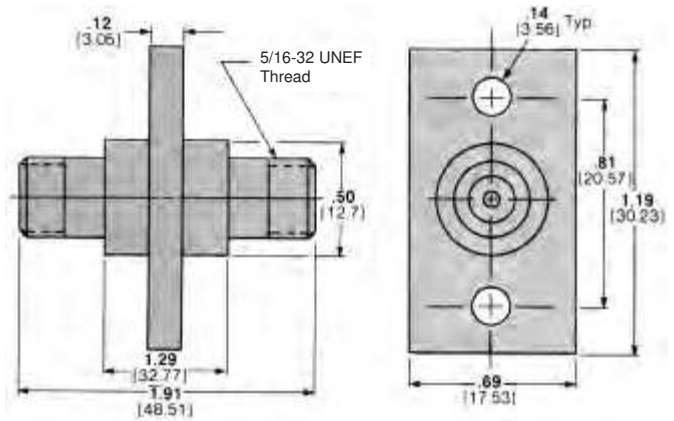
For Encapsulated Units  
Part Number 858855-1  
RoHS Part Number 5-858855-1  
Weight — 3 grams



Receptacles are available with gold plated contacts.

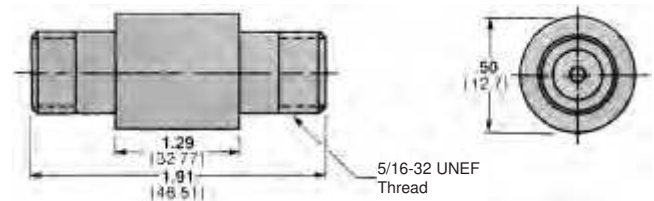
**Bolt-Mount, Feed-Through**  
Part Number 858856-1

Weight — 14 grams



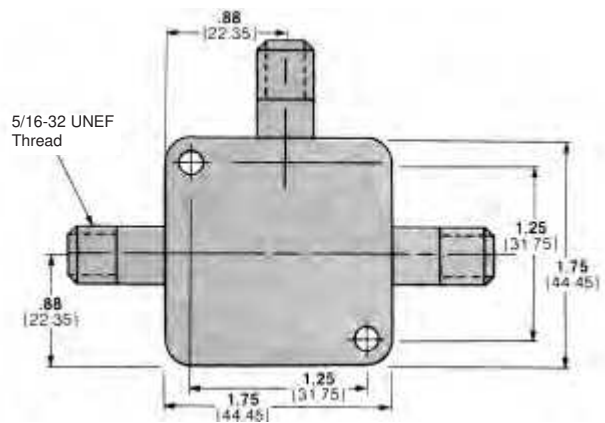
**Splice**  
Part Number 858082-1

Weight — 10.5 grams



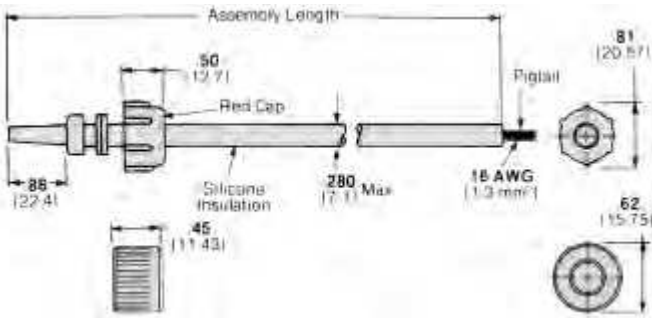
**T Connector**  
Part Number 850736-1  
RoHS Part Number 5-850736-1

Weight — 23 grams



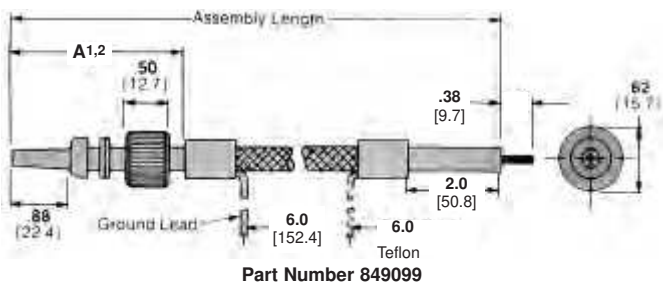


**Single End Lead Assemblies**



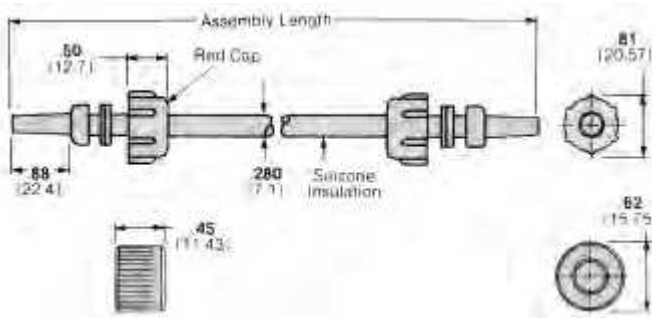
Part Number 837655 and 863701

**Shielded Single End Lead Assemblies**



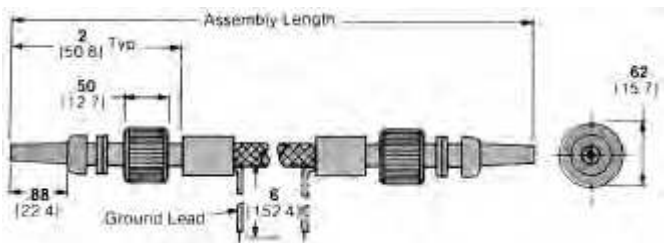
Part Number 849099

**Double End Lead Assemblies**



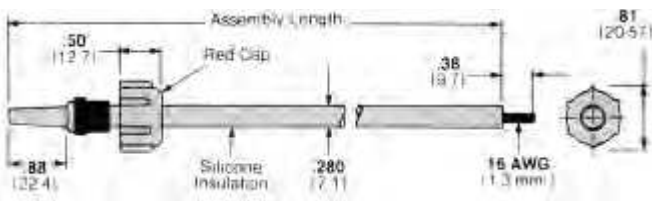
Part Number 830126 and 863702

**Shielded Double End Lead Assemblies**



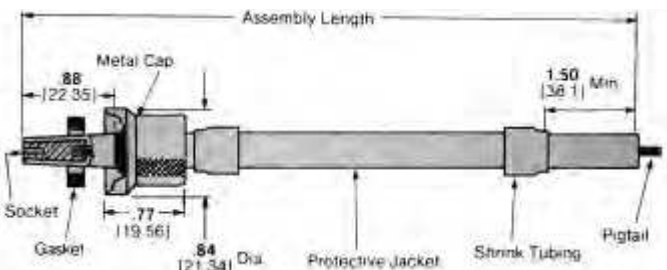
Part Number 849104

**Single End Lead Assemblies with Positive Stop Ferrules**



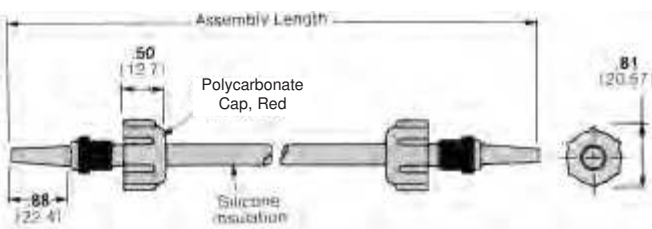
Part Number 862549 and 863703

**RFI Shielded Single End Lead Assemblies\***



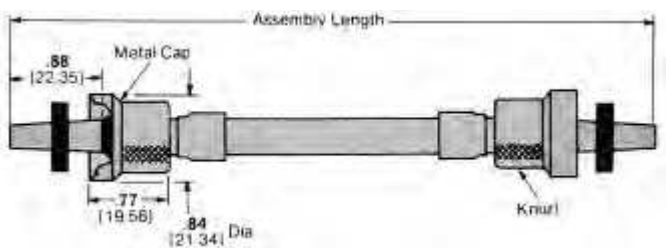
Part Number 861811

**Double End Lead Assemblies with Positive Stop Ferrules**



Part Number 862550

**RFI Shielded Double End Lead Assemblies\***



Part Number 861812

TEFLON is a trademark of E. I. DuPont de Nemours and Company.

\* These RFI Shielded Lead Assemblies mate with Receptacle Part Number 861254-1.

LGH Lead Assemblies and Receptacles, 20 KVDC, LGH 1 (Continued)

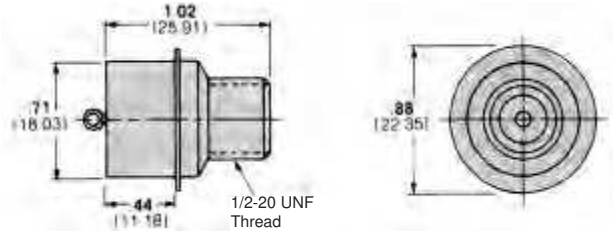
Lead Assemblies (Continued)

Description	Assembly Length	Part Numbers						
		Polycarbonate Cap		Glass-Filled Polyester Cap		Glass Epoxy Cap		Metal Cap
		Non-RoHS	RoHS	Non-RoHS	RoHS	Non-RoHS	RoHS	
Single End Lead Assemblies	6 152.4	837655-7	5837655-7	863701-7	—	—	—	
	12 304.8	1-837655-1	1-5837655-1	1-863701-1	1-5863701-1	—	—	
	18 457.2	1-837655-0	1-5837655-0	1-863701-0	—	—	—	
	24 609.6	837655-8	—	863701-8	5863701-8	—	—	
	36 914.4	837655-5	5837655-5	863701-5	5863701-5	—	—	
	48 1219.2	1-837655-3	1-5837655-3	1-863701-3	1-5863701-3	—	—	
Double End Lead Assemblies	6 152.4	—	—	863702-2	—	830126-2	—	
	12 304.8	1-830126-3	—	1-863702-3	—	—	—	
	18 457.2	1-830126-2	—	1-863702-2	—	—	—	
	24 609.6	1-830126-6	—	1-863702-6	—	—	—	
	36 914.4	1-830126-7	—	1-863702-7	—	—	—	
	48 1219.2	2-830126-1	—	2-863702-1	—	—	—	
Single End Lead Assemblies (with Positive Stop Ferrules)	6 152.4	862549-1	—	863703-1	—	—	—	
	12 304.8	862549-4	5-862549-4	863703-4	—	—	—	
	18 457.2	862549-6	—	863703-6	—	—	—	
	24 609.6	862549-8	—	863703-8	—	—	—	
	36 914.4	862549-9	5-862549-9	863703-9	—	—	—	
	48 1219.2	1-862550-3	—	—	—	—	—	
Double End Lead Assemblies (with Positive Stop Ferrules)	6 152.4	862550-1	—	—	—	—	—	
	12 304.8	862550-4	—	—	—	—	—	
	18 457.2	862550-6	—	—	—	—	—	
	24 609.6	862550-8	—	—	—	—	—	
	36 914.4	862550-9	—	—	—	—	—	
	48 1219.2	1-862550-3	—	—	—	—	—	
Shielded Single End Lead Assemblies	6 152.4	—	—	—	—	849099-7 <sup>1</sup>	—	
	12 304.8	—	—	—	—	1-849099-2 <sup>1</sup>	—	
	18 457.2	—	—	—	—	849103-5 <sup>2</sup>	5-849103-5 <sup>2</sup>	
	24 609.6	—	—	—	—	849099-9 <sup>1</sup>	—	
	36 914.4	—	—	—	—	849103-1† <sup>2</sup>	—	
	48 1219.2	—	—	—	—	849099-4 <sup>1</sup>	—	
Shielded Double End Lead Assemblies	18 457.2	—	—	—	—	1-849104-5	—	
	24 609.6	—	—	—	—	849104-1	—	
	36 914.4	—	—	—	—	1-849104-6*	—	
	48 1219.2	—	—	—	—	1-849104-7	6-849104-7	
	12 304.8	—	—	—	—	1-849104-9*	—	
	18 457.2	—	—	—	—	849104-3	5-849104-3	
RFI Shielded Single End Lead Assemblies**	12 304.8	—	—	—	—	—	861811-1	
	18 457.2	—	—	—	—	—	861811-4	
	24 609.6	—	—	—	—	—	861811-5	
RFI Shielded Double End Lead Assemblies**	12 304.8	—	—	—	—	—	861812-1	
	18 457.2	—	—	—	—	—	861812-4	
	24 609.6	—	—	—	—	—	861812-3	
	48 1219.2	—	—	—	—	—	861812-2	

\*Two ground leads, 6 [152.4] each.  
 \*\*These RFI Shielded Lead Assemblies mate with Receptacle Part Number 861254-1.  
 †One ground lead, terminated end only. <sup>1</sup>A dim. 3.0 [76.2]. <sup>2</sup>A dim. 2.0 [50.8].

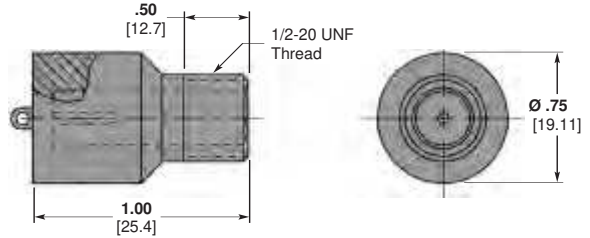
**Glass-Epoxy Receptacles with .88 [22.35] Barrel Depth**

Flanged, for Hermetic Seal  
 Part Number 861254-1  
 RoHS Part Number 5-861254-1  
 Weight — 5 grams

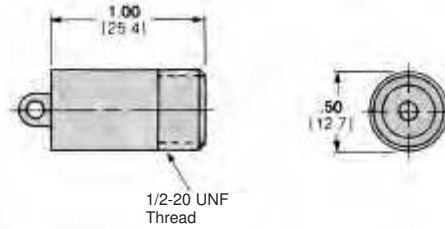


These receptacles are for use with RFI Shielded Lead Assemblies shown on the preceding page.

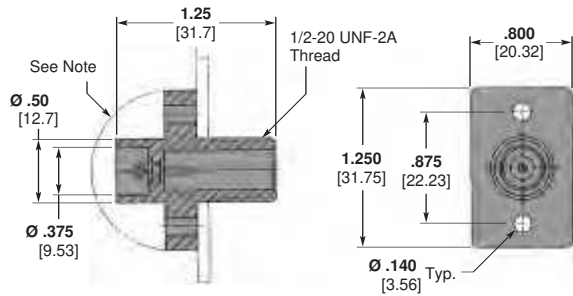
**Molded Receptacle**  
 Part Number 850306-3  
 RoHS Part Number 5-850306-3



**For Encapsulated Units**  
 Part Number 834333-2  
 RoHS Part Number 5-834333-2  
 Weight — 4 grams

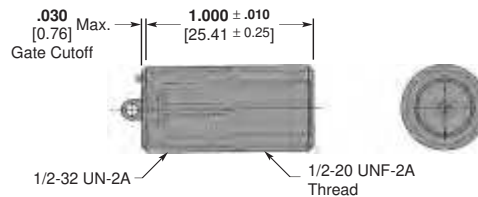


**Bulkhead Receptacle**  
 Part Number 449690-1  
 RoHS Part Number 5-449690-1

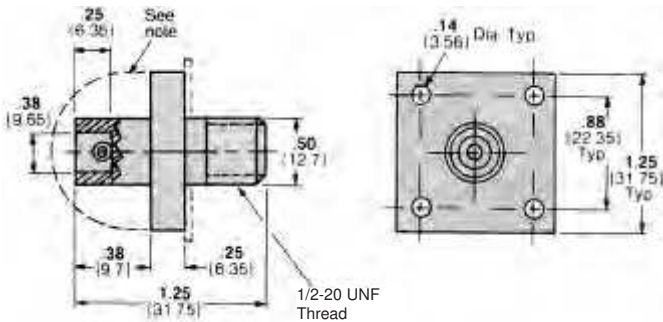


**Note:** Customer must protect back end against arc-over and breakdown if bulkhead and mounting hardware are metallic and at ground potential.

**Special Receptacle**  
 Part Number 448463-1

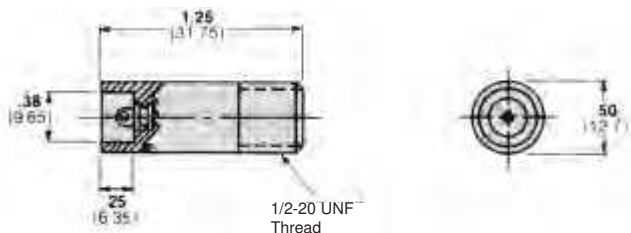


**Flanged, Bolt Mount**  
 Part Number 858827-1  
 RoHS Part Number 5-858827-1  
 Weight — 16 grams



**Note:** If the panel or mounting hardware is at ground potential, guard against arc-over and breakdown within the area defined by this line.

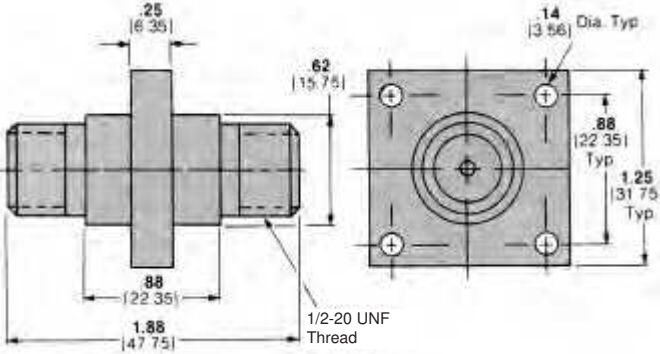
**With Recessed Terminal for Encapsulated Units**  
 Part Number 849610-3  
 RoHS Part Number 5-849610-3  
 Weight — 5 grams



Receptacles are available with gold plated contacts.

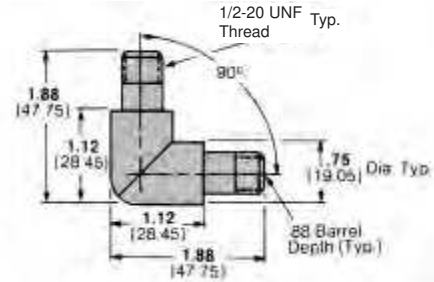
**Glass-Epoxy Receptacles with .88 [22.35] Barrel Depth**  
(Continued)

**Bolt Mount, Feed-Through**  
Part Number 846793-1  
Weight — 23 grams



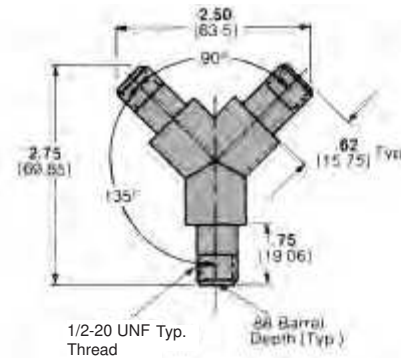
**L-Shape Receptacles with .88 [22.35] Barrel Depth**

**Splice**  
Part Number 849662-1 —  
Tin Plated Pins

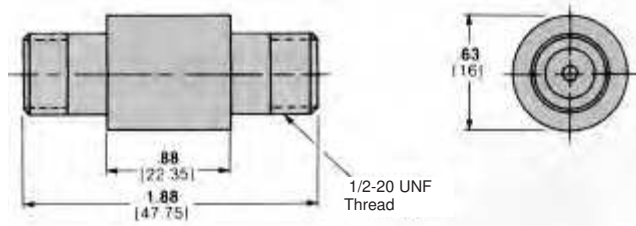


**Y-Shape Receptacles with .88 [22.35] Barrel Depth**

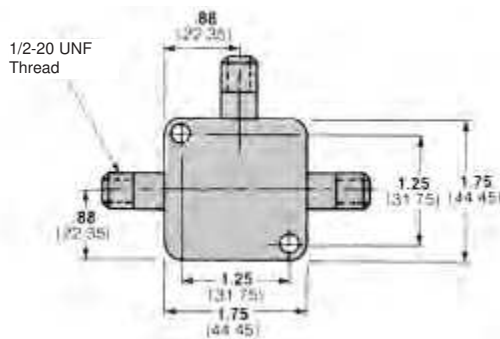
**Splice**  
Part Number 849693-1 —  
Tin Plated Pins



**Splice**  
Part Number 830149-1  
Weight — 10 grams

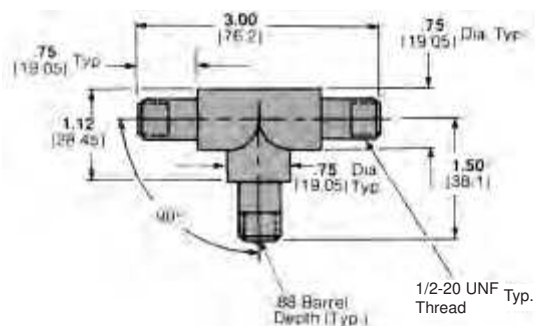


**T-Shape Connector**  
Part Number 836674-1  
RoHS Part Number 5-836674-1  
Weight — 100 grams



**T-Shape Receptacles with .88 [22.35] Barrel Depth**

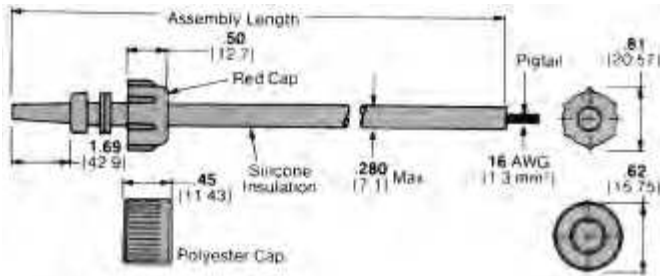
**Splice**  
Part Number 849671-1 —  
Tin Plated Pins



Receptacles are available with gold plated contacts.

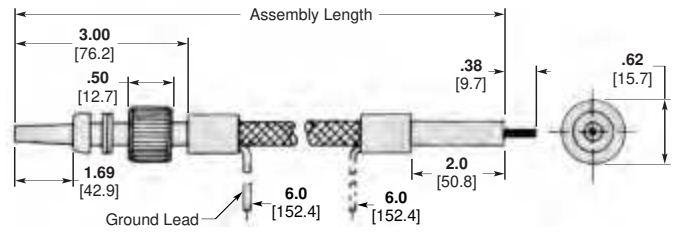


**Single End Lead Assemblies**



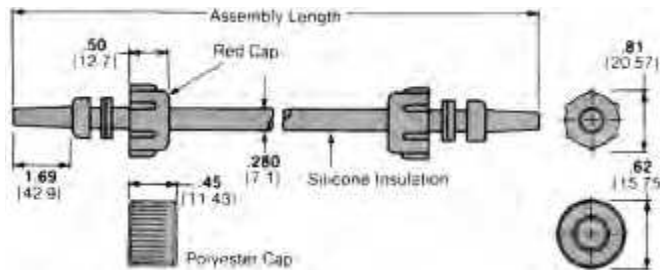
Part Number 830637

**Shielded Single End Lead Assemblies**



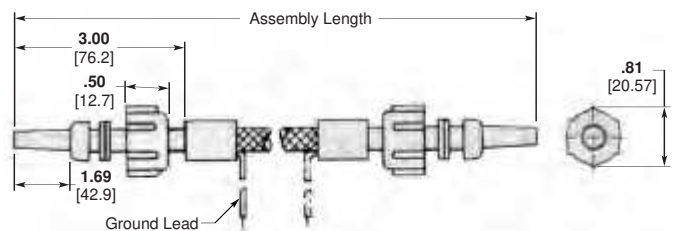
Part Number 846938

**Double End Lead Assemblies**



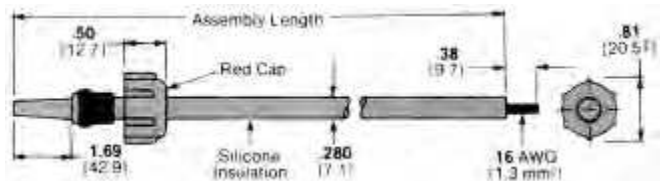
Part Number 830638

**Shielded Double End Lead Assemblies**



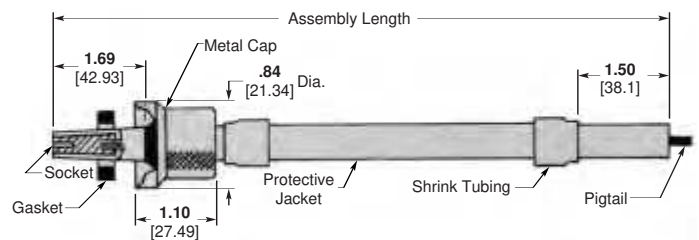
Part Number 849616

**Single End Lead Assemblies with Positive Stop Ferrules**



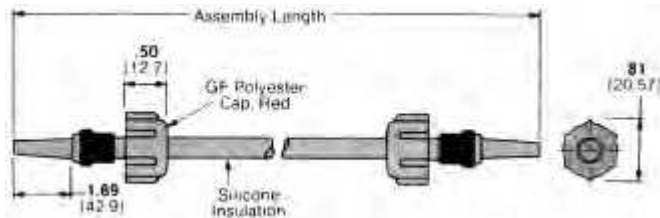
Part Number 862551

**RFI Shielded Single End Lead Assemblies**



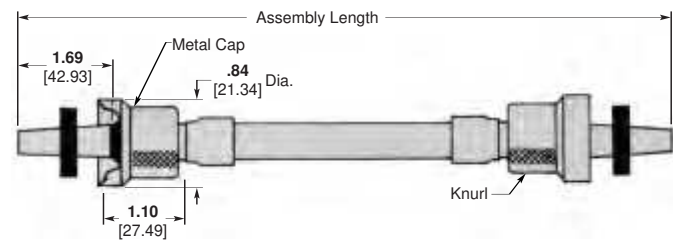
Part Number 861813

**Double End Lead Assemblies with Positive Stop Ferrules**



Part Number 862552

**RFI Shielded Double End Lead Assemblies**



Part Number 861814

LGH Lead Assemblies and Receptacles, 25 KVDC, LGH 1 L (Continued)

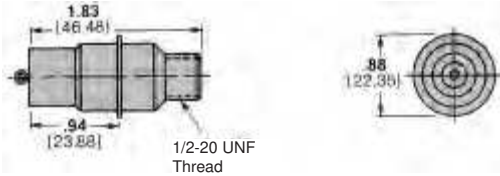
Lead Assemblies (Continued)

Description	Assembly Length	Part Numbers						
		Polycarbonate Cap		Glass-Filled Polyester Cap		Glass Epoxy Cap		Metal Cap
		Non-RoHS	RoHS	Non-RoHS	RoHS	Non-RoHS	RoHS	
Single End Lead Assemblies	6 152.4	2-830637-1	—	2-863705-1	—	—	—	—
	12 304.8	1-830637-2	1-5830637-2	1-863705-2	—	—	—	—
	18 457.2	1-830637-3	1-5830637-3	1-863705-3	—	—	—	—
	24 609.6	2-830637-8	2-5830637-8	2-863705-8	7-863705-8	—	—	—
	36 914.4	830637-5	5830637-5	863705-5	—	—	—	—
	48 1219.2	2-830637-4	2-5830637-4	2-863705-4	—	—	—	—
Double End Lead Assemblies	6 152.4	—	—	863706-2	—	830638-2	—	—
	12 304.8	1-830638-5	—	1-863706-5	—	—	—	—
	18 457.2	2-830638-0	—	2-863706-0	—	—	—	—
	24 609.6	830638-9	—	863706-9	—	—	—	—
	36 914.4	830638-6	—	863706-6	—	—	—	—
	48 1219.2	1-830638-9	—	1-863706-9	—	—	—	—
Single End Lead Assemblies (with Positive Stop Ferrules)	6 152.4	862551-1	—	863707-1	—	—	—	—
	12 304.8	862551-4	5-862551-4	863707-4	—	—	—	—
	18 457.2	862551-6	—	863707-6	—	—	—	—
	24 609.6	862551-8	—	863707-8	5-863707-8	—	—	—
	36 914.4	1-862551-5	—	1-863707-5	—	—	—	—
	48 1219.2	1-862551-2	—	1-863707-2	6-863707-2	—	—	—
Double End Lead Assemblies (with Positive Stop Ferrules)	6 152.4	—	—	—	—	862552-1	—	—
	12 304.8	862552-4	—	—	—	—	—	—
	18 457.2	862552-6	—	—	—	—	—	—
	24 609.6	862552-8	—	—	—	—	—	—
	36 914.4	1-862552-3	—	—	—	—	—	—
	48 1219.2	1-862552-0	—	—	—	—	—	—
Shielded Single End Lead Assemblies	18 457.2	—	—	—	—	2-846938-0	—	—
	24 609.6	—	—	—	—	2-846938-1	—	—
	36 914.4	—	—	—	—	1-846938-6††	—	—
	48 1219.2	—	—	—	—	846938-8†	—	—
Shielded Double End Lead Assemblies	12 304.8	—	—	—	—	849616-7	—	—
	18 457.2	—	—	—	—	1-849616-5	—	—
	36 914.4	—	—	—	—	1-849616-0*	—	—
	60 1524.0	—	—	—	—	2-849616-2* 7-849616-2*	—	—
RFI Shielded Single End Lead Assemblies**	12 304.8	—	—	—	—	—	—	861813-1
	24 609.6	—	—	—	—	—	—	861813-2
	48 1219.2	—	—	—	—	—	—	861813-5
	12 304.8	—	—	—	—	—	—	861814-1
RFI Shielded Double End Lead Assemblies	18 457.2	—	—	—	—	—	—	1-861814-9
	24 609.6	—	—	—	—	—	—	2-861814-1
	36 914.4	—	—	—	—	—	—	1-861814-5
	48 1219.9	—	—	—	—	—	—	861814-1

\*Two equal length ground leads.  
 \*\*These RFI Shielded Lead Assemblies mate with Receptacle Part Number 861255-1.  
 †One ground lead, pigtail end only.  
 ††One ground lead, terminated end only. Pigtail End 13 [330.2].

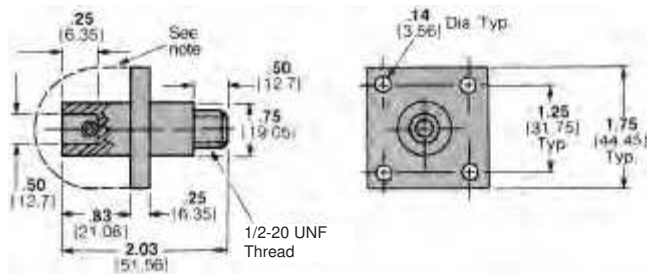
**Glass-Epoxy Receptacles with 1.69 [42.93] Barrel Depth**

Flanged, for Hermetic Seal  
 Part Number 861255-1  
 RoHS Part Number 5-861255-1  
 Weight — 17 grams

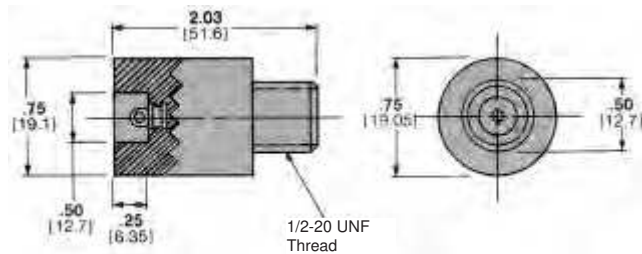


These receptacles are for use with RFI Shielded Leads shown on the preceding page.

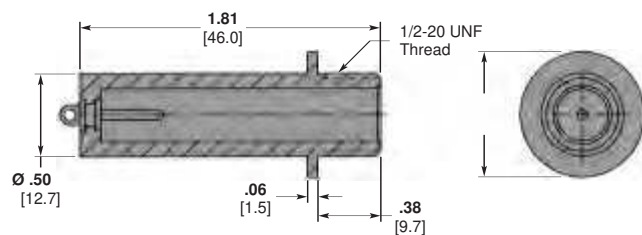
**Flanged, Bolt Mount**  
 Part Number 846814-1  
 RoHS Part Number 5-846814-1  
 Weight — 32 grams



**With Recessed Terminal for Encapsulated Units**  
 Part Number 859058-3  
 Weight — 16 grams

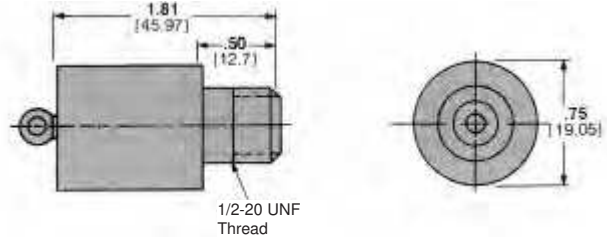


**Flanged Receptacle**  
 Part Number 449925-1  
 Color — Red

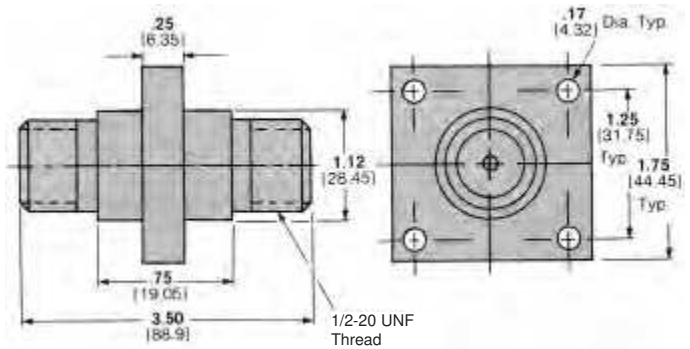


**Note:** If the panel or mounting hardware is at ground potential, guard against arc-over and breakdown within the area defined by this line.

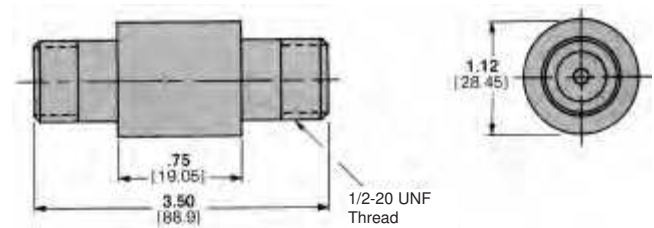
**For Encapsulated Units**  
 Part Number 858868-1  
 RoHS Part Number 5-858868-1  
 Weight — 15 grams



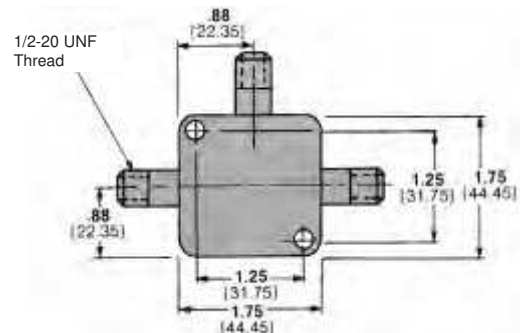
**Bolt-mount, Feed-through**  
 Part Number 858873-1  
 Weight — 70 grams



**Splice**  
 Part Number 858030-1  
 Weight — 52 grams



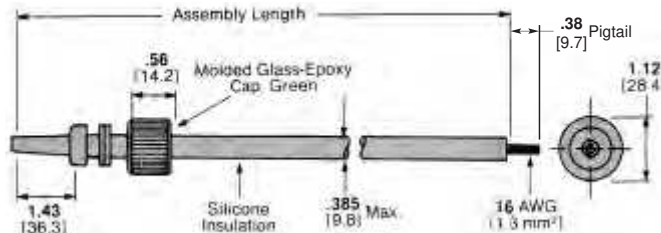
**T-Shape Connector**  
 Part Number 830699-1  
 RoHS Part Number 5-830699-1  
 Weight — 110 grams



Receptacles are available with gold plated contacts.

LGH Lead Assemblies and Receptacles, 30 KVDC, LGH 2

Single End Lead Assemblies

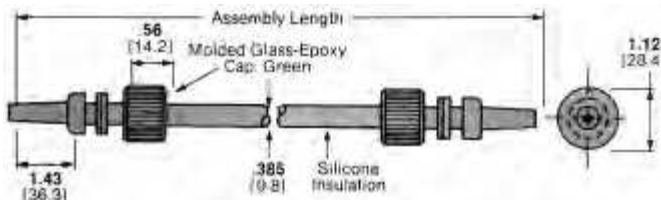


Part Number 839564

Assembly Length	Part Number
6.0 152.4	1-839564-8
12.0 304.8	839564-1 5-839564-1*
18.0 457.2	2-839564-9
24.0 609.6	839564-2 5-839564-2*
36.0 914.4	1-839564-9 6-839564-9*
48.0 1219.2	1-839564-3 6-839564-3*

\*RoHS compliant Part Number.

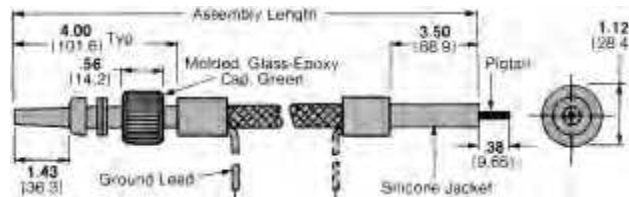
Double End Lead Assemblies



Part Number 839565

Assembly Length	Part Number
8.0 203.2	1-839565-3
12.0 304.8	839565-1
18.0 457.2	2-839565-9
24.0 609.6	839565-9
36.0 914.4	2-839565-5
48.0 1219.2	839565-6

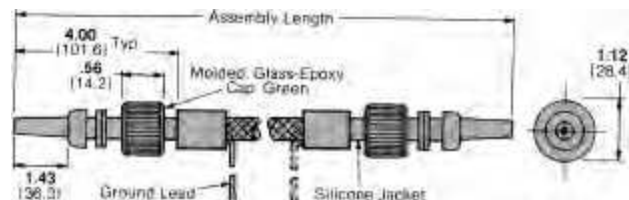
Shielded Single End Lead Assemblies



Part Number 849371

Assembly Length	Part Number
12.0 304.8	849371-2
18.0 457.2	849371-8
24.0 609.6	849371-3
48.0 1219.2	849371-9

Shielded Double End Lead Assemblies

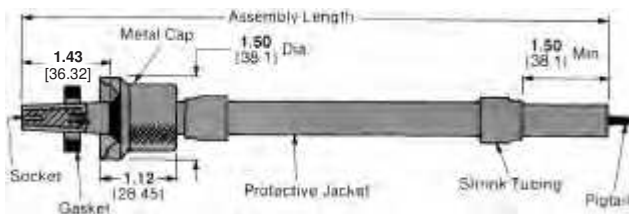


Part Number 848075

Assembly Length	Part Number
24.0 609.6	1-848075-5
36.0 914.4	1-848075-6
48.0 1219.2	2-848075-2**

\*\*Two ground leads, 6.0 [152.4] each

RFI Shielded Single End Lead Assemblies\*\*\*



Part Number 867447

Assembly Length	Part Number
12.0 304.8	867447-1
24.0 609.6	867447-2
36.0 914.4	867447-3
48.0 1219.2	867447-4

**Note:** Standard length leads are tabulated here. Tyco Electronics can make available numerous variations in length and material to suit almost any application. Choices of insulation materials include TEFLON, UL listed silicone and UL listed PVC. Other materials, colors, wire and configurations can be used in manufacture. For more information, consult Tyco Electronics.

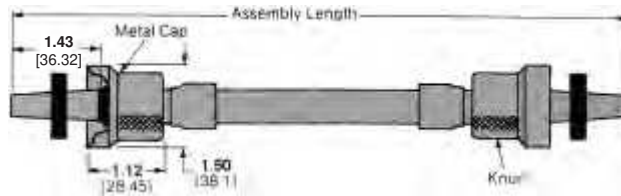
\*\*\* These RFI Shielded Lead Assemblies mate with Receptacle Part Number 861256-1.

TEFLON is a trademark of E. I. DuPont de Nemours and Company.



LGH Lead Assemblies and Receptacles, 30 KVDC, LGH 2 (Continued)

**RFI Shielded Double End Lead Assemblies\***



Part Number 867448

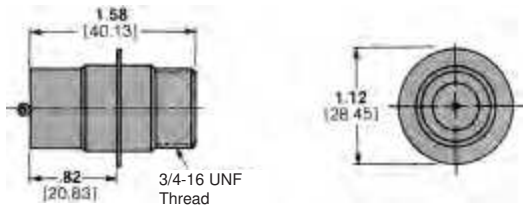
Assembly Length	Part Number
12.0 304.8	867448-1
24.0 609.6	867448-2
36.0 914.4	867448-3
48.0 1219.2	867448-4

**Note:** Standard length leads are tabulated here. Tyco Electronics can make available numerous variations in length and material to suit almost any application. Choices of insulation materials include TEFLON, UL listed silicone and UL listed PVC. Other materials, colors, wire and configurations can be used in manufacture. For more information, consult Tyco Electronics.

\* These RFI Shielded Lead Assemblies mate with receptacle 861256-1.

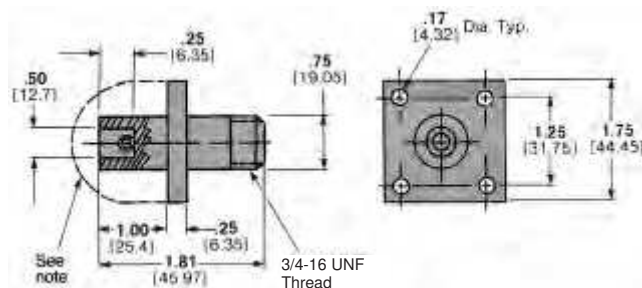
**Glass-Epoxy Receptacles with 1.44 [36.58] Barrel Depth**

Flanged, for Hermetic Seal  
Part Number 861256-1  
RoHS Part Number 5-861256-1  
Weight — 20 grams



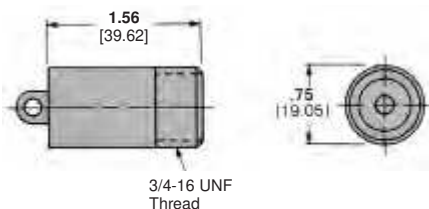
These receptacles are for use with RFI Shielded Leads shown on the preceding page.

Flanged, Bolt Mount  
Part Number 850910-1  
RoHS Part Number 5-850910-1  
Weight — 42 grams



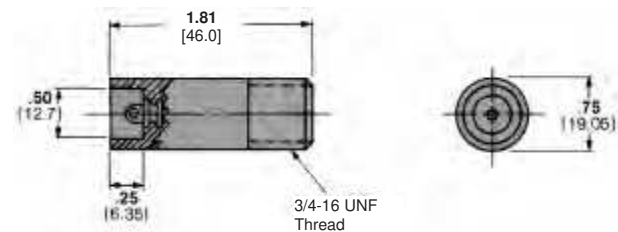
**Note:** If the panel or mounting hardware is at ground potential, guard against arc-over and breakdown within the area defined by this line.

For Encapsulated Units  
Part Number 1-849587-1  
RoHS Part Number 1-5849587-1  
Weight — 17 grams

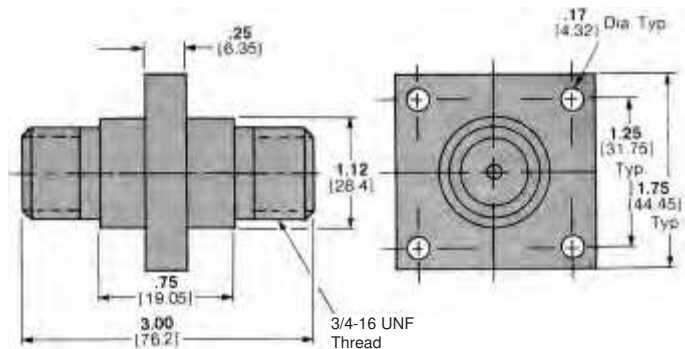


TEFLON is a trademark of E. I. DuPont de Nemours and Company.

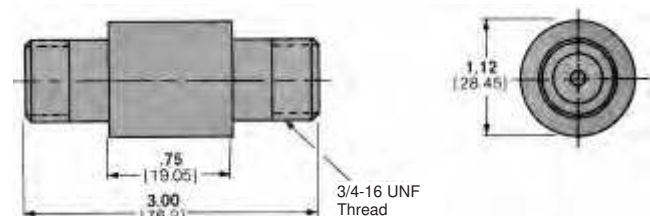
With Recessed Terminal for Encapsulated Units  
Part Number 849588-1  
RoHS Part Number 5-849588-1  
Weight — 20 grams



Bolt-mount, Feed-through  
Part Number 850735-1  
Weight — 70 grams



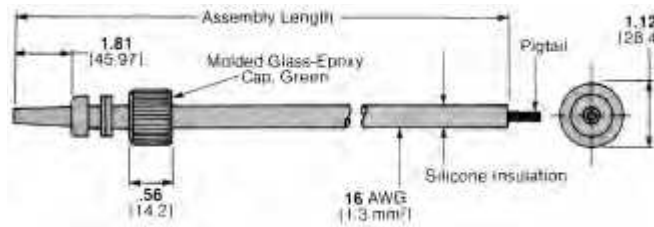
Splice  
Part Number 850555-1  
Weight — 43 grams



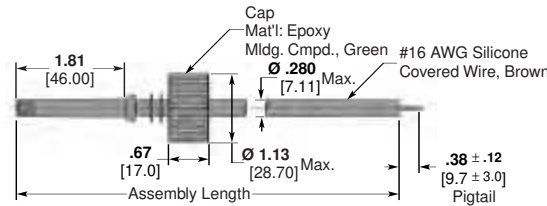
Receptacles are available with gold plated contacts.

LGH Lead Assemblies and Receptacles, 40 KVDC, LGH 3

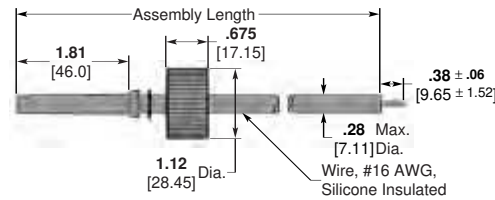
Single End Lead Assemblies



Part Number 837975



Part Number 868354

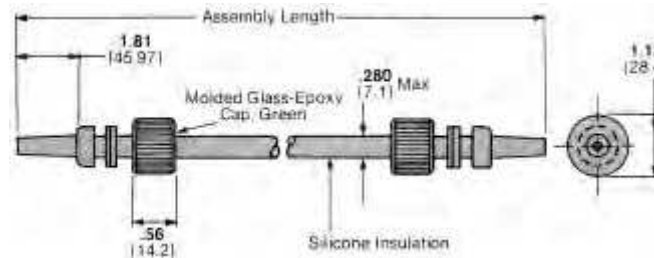


Part Number 869084

Assembly Length	Wire Color	Part Number
6.0	—	837975-6
12.0	—	837975-8
18.0	—	837975-3
24.0	—	1-837975-6
36.0	—	6-837975-6*
48.0	—	837975-2
60.0 ± 1.00	—	837975-9
1524.0 ± 25.4	Brown	5-837975-9*
18.0 ± .25	Brown	868354-2
457.2 ± 6.35	Brown	869084-1
18.0 ± .25	Red	869084-2
457.2 ± 6.35	Red	869084-2
18.0 ± .25	Yellow	869084-3
457.2 ± 6.35	Yellow	869084-3
18.0 ± .25	Green	869084-4
457.2 ± 6.35	Green	869084-4
18.0 ± .25	White	869084-5
457.2 ± 6.35	White	869084-5
24.0 ± .25	Brown	869084-6
609.6 ± 6.35	Brown	5-869084-6*
24.0 ± .25	Yellow	869084-7
609.6 ± 6.35	Yellow	5-869084-7*
24.0 ± .25	Green	869084-8
609.6 ± 6.35	Green	5-869084-8*
24.0 ± .25	White	869084-9
609.6 ± 6.35	White	5-869084-9*
36.0 ± .25	Brown	1-869084-0
914.4 ± 6.35	Brown	1-869084-0
48.0 ± .25	Red	1-869084-1
1219.2 ± 6.35	Red	1-869084-1
36.0 ± .25	Yellow	1-869084-2
914.4 ± 6.35	Yellow	6-869084-2*
36.0 ± .25	Green	1-869084-3
914.4 ± 6.35	Green	6-869084-3*

\*RoHS compliant Part Number.

Double End Lead Assemblies

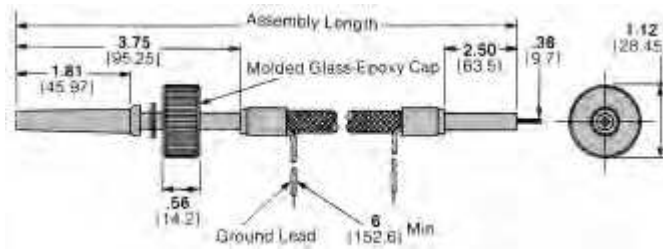


Part Number 830649

Assembly Length	Part Number
12.0	830649-1
304.8	830649-1
18.0	830649-3
457.2	830649-3
24.0	1-830649-0
609.6	1-830649-0
36.0	830649-2
914.4	830649-2
48.0	830649-6
1219.2	830649-6

LGH Lead Assemblies and Receptacles, 40 KVDC, LGH 3 (Continued)

Shielded Single End Lead Assemblies

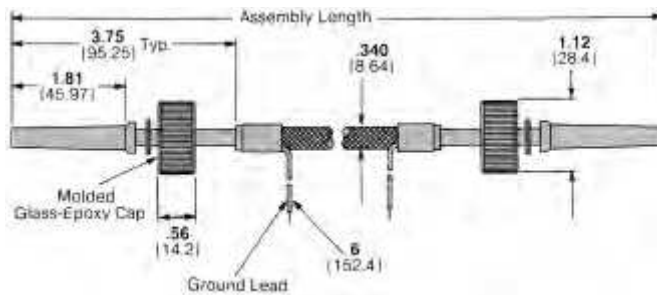


Part Number 848076

Assembly Length	Part Number
12.0 304.8	1-848076-1
18.0 457.2	848076-5
24.0 609.6	848076-1
36.0 914.4	848076-8**
48.0 1219.2	848076-3 5-848076-3*
360.0 9144.0	2-848076-1
16.25 412.8	2-848076-2 7-848076-2*
29.75 755.7	2-848076-3 7-848076-3*
20.25 514.4	2-848076-4
21.75 552.5	2-848076-5 7-848076-5*
16.25 412.8	2-848076-6 7-848076-6*

All leads are shielded and glass braid covered.  
 \*RoHS compliant Part Number.  
 \*\*Two ground leads each 7" long.

Shielded Double End Lead Assemblies



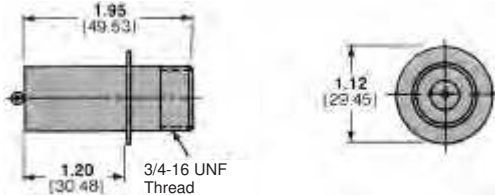
Part Number 848077

Assembly Length	Part Number
12.0 304.8	848077-4
24.0 609.6	848077-1
48.0 1219.2	848077-3 5-848077-3*

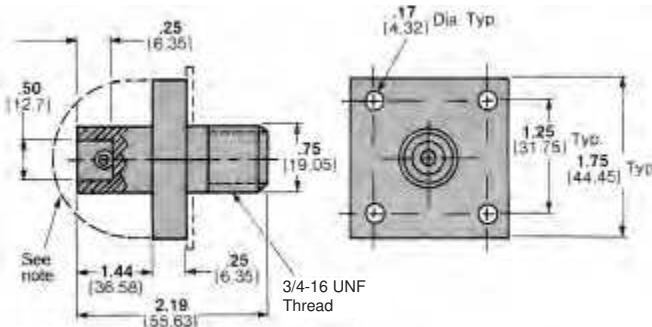
\*RoHS compliant Part Number.

**Glass-Epoxy Receptacles with 1.81 [45.97] Barrel Depth**

**Flanged, For Hermetic Seal**  
**Part Number 861257-1**  
**RoHS Part Number 5-861257-1**  
**Weight — 32 grams**

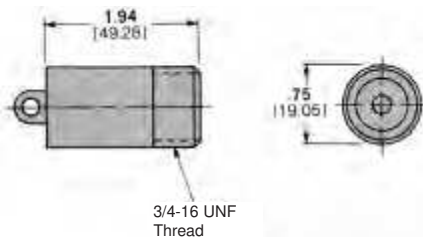


**Flanged, Bolt Mount**  
**Part Number 850911-1**  
**RoHS Part Number 5-850911-1**  
**Weight — 53 grams**

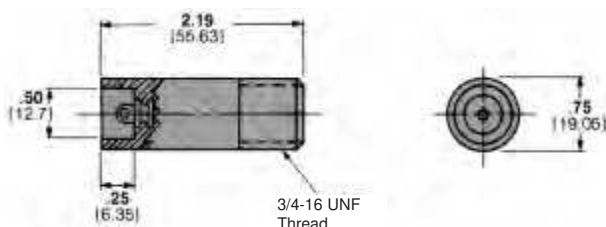


**Note:** If the panel or mounting hardware is at ground potential, guard against arc-over and breakdown within the area defined by this line.

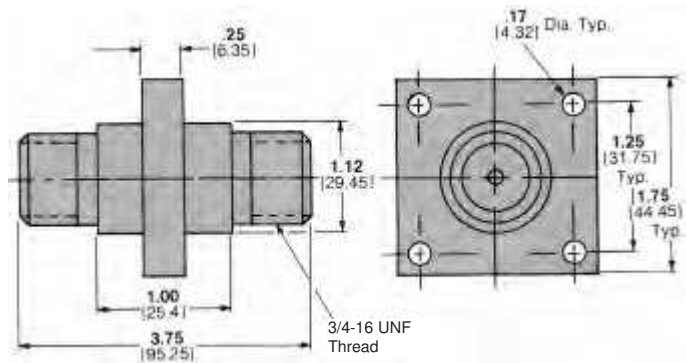
**For Encapsulated Units**  
**Part Number 849587-9**  
**RoHS Part Number 5849587-9**  
**Weight — 28 grams**



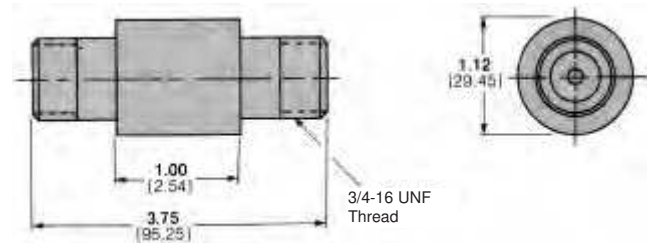
**With Recessed Terminal For Encapsulated Units**  
**Part Number 849588-3**  
**RoHS Part Number 5-849588-3**  
**Weight — 34 grams**



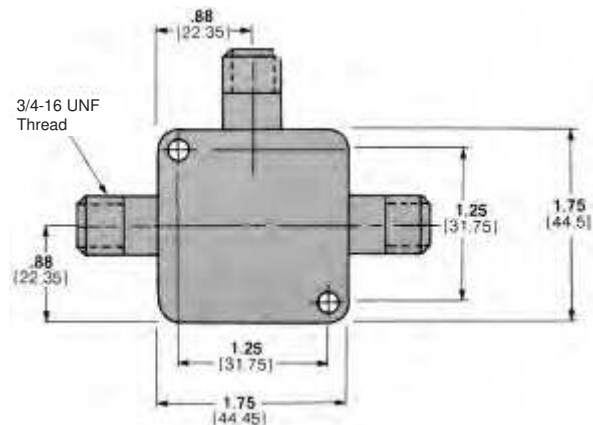
**Bolt-Mount, Feed-Through**  
**Part Number 850909-1**  
**Weight — 91 grams**



**Splice**  
**Part Number 850908-1**  
**Weight — 65 grams**



**T-Shape Connector**  
**Part Number 860708-1**  
**RoHS Part Number 5-860708-1**  
**Weight — 135 grams**

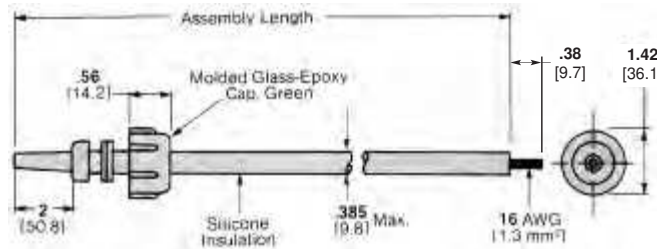


Receptacles are available with gold plated contacts.



LGH Lead Assemblies and Receptacles, 50 KVDC, LGH 4

Single End Lead Assemblies

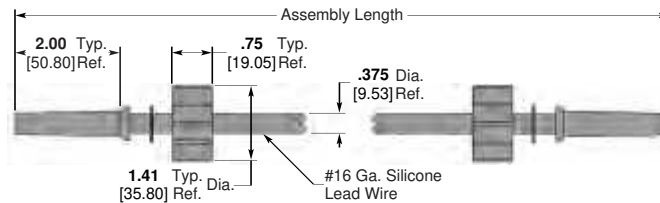


Part Number 846290

Assembly Length	Part Number
6.0 152.4	1-846290-7
12.0 304.8	846290-1 5-846290-1*
18.0 457.2	1-846290-6 6-846290-6*
24.0 609.6	846290-3 5-846290-3*
36.0 914.4	846290-6 5-846290-6*
48.0 1219.2	846290-4 5-846290-4*

\*RoHS compliant Part Number.

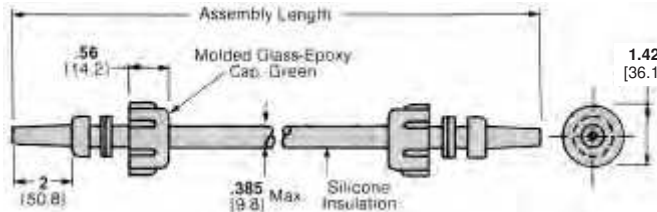
Double End Lead Assemblies (White Wire)



Part Number 445217

Assembly Length	Part Number
18.0 ± .12 457.2 ± 3.05	445217-2
24.0 ± .24 609.6 ± 6.10	445217-1

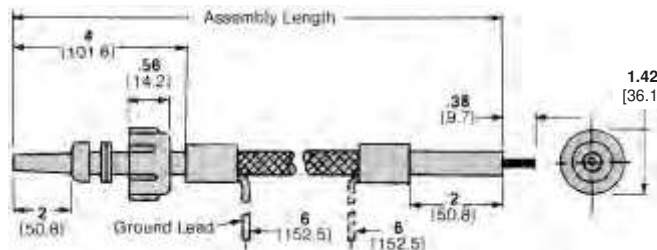
Double End Lead Assemblies



Part Number 846291

Assembly Length	Part Number
12.0 304.8	846291-1
18.0 457.2	1-846291-1
24.0 609.6	846291-3
36.0 914.4	846291-4

Shielded Single End Lead Assemblies



Part Number 848078

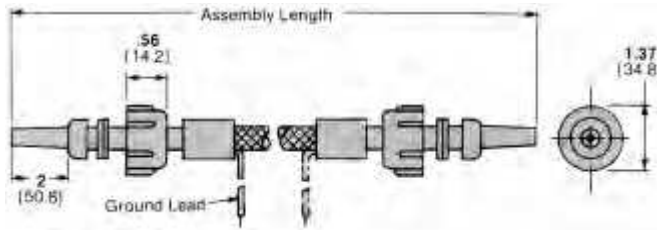
Assembly Length	Part Number
24.0 609.6	848078-1
36.0 914.4	2-848078-0
48.0 1219.2	848078-2

**Note:** Standard length leads are tabulated here. Tyco Electronics can make available numerous variations in length and material to suit almost any application. Choices of insulation materials include TEFLON, UL listed silicone and UL listed PVC. Other materials, colors, wire and configurations can be used in manufacture. For more information, consult Tyco Electronics.

TEFLON is a trademark of E. I. DuPont de Nemours and Company.

**Shielded Double End Lead Assemblies**

**LGH Lead Assemblies and Receptacles, 50 KVDC, LGH 4 (Continued)**

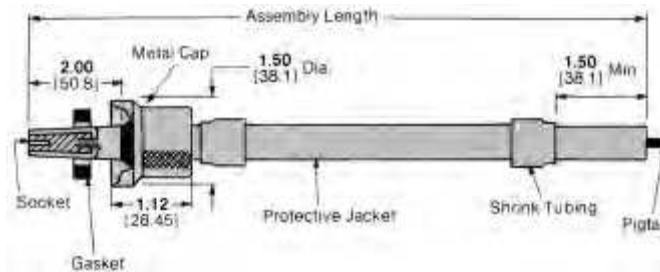


Assembly Length	Part Number
12.0	846950-6
304.8	846950-7
48.0	1-846950-0
1219.2	6-846950-0*

\*RoHS compliant Part Number.

Part Number 846950

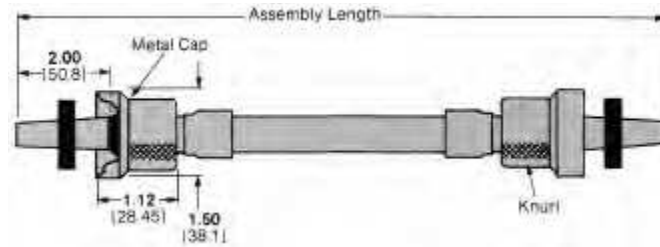
**RFI Shielded Single End Lead Assemblies\***



Assembly Length	Part Number
12.0	865089-4
304.8	865089-5
18.0	865089-5
457.2	865089-6
24.0	865089-6
609.6	865089-7
36.0	865089-7
914.4	865089-8
48.0	865089-8
1219.2	865089-8

Part Number 865089

**RFI Shielded Double End Lead Assemblies\***



Assembly Length	Part Number
12.0	865090-4
304.8	865090-4
18.0	865090-7
457.2	865090-7
24.0	865090-1
609.6	865090-1
36.0	865090-5
914.4	5-865090-5*

\*RoHS compliant Part Number.

Part Number 865090

TEFLON is a trademark of E. I. DuPont de Nemours and Company.

**Note:** Standard length leads are tabulated here. Tyco Electronics can make available numerous variations in length and material to suit almost any application. Choices of insulation materials include TEFLON, UL listed silicone and UL listed PVC. Other materials, colors, wire and configurations can be used in manufacture. For more information, consult Tyco Electronics.

\* These RFI Shielded Lead Assemblies mate with receptacle 861258-1.