



Chipsmall Limited consists of a professional team with an average of over 10 year of expertise in the distribution of electronic components. Based in Hongkong, we have already established firm and mutual-benefit business relationships with customers from,Europe,America and south Asia,supplying obsolete and hard-to-find components to meet their specific needs.

With the principle of “Quality Parts,Customers Priority,Honest Operation,and Considerate Service”,our business mainly focus on the distribution of electronic components. Line cards we deal with include Microchip,ALPS,ROHM,Xilinx,Pulse,ON,Everlight and Freescale. Main products comprise IC,Modules,Potentiometer,IC Socket,Relay,Connector.Our parts cover such applications as commercial,industrial, and automotives areas.

We are looking forward to setting up business relationship with you and hope to provide you with the best service and solution. Let us make a better world for our industry!



## Contact us

Tel: +86-755-8981 8866 Fax: +86-755-8427 6832

Email & Skype: info@chipsmall.com Web: www.chipsmall.com

Address: A1208, Overseas Decoration Building, #122 Zhenhua RD., Futian, Shenzhen, China

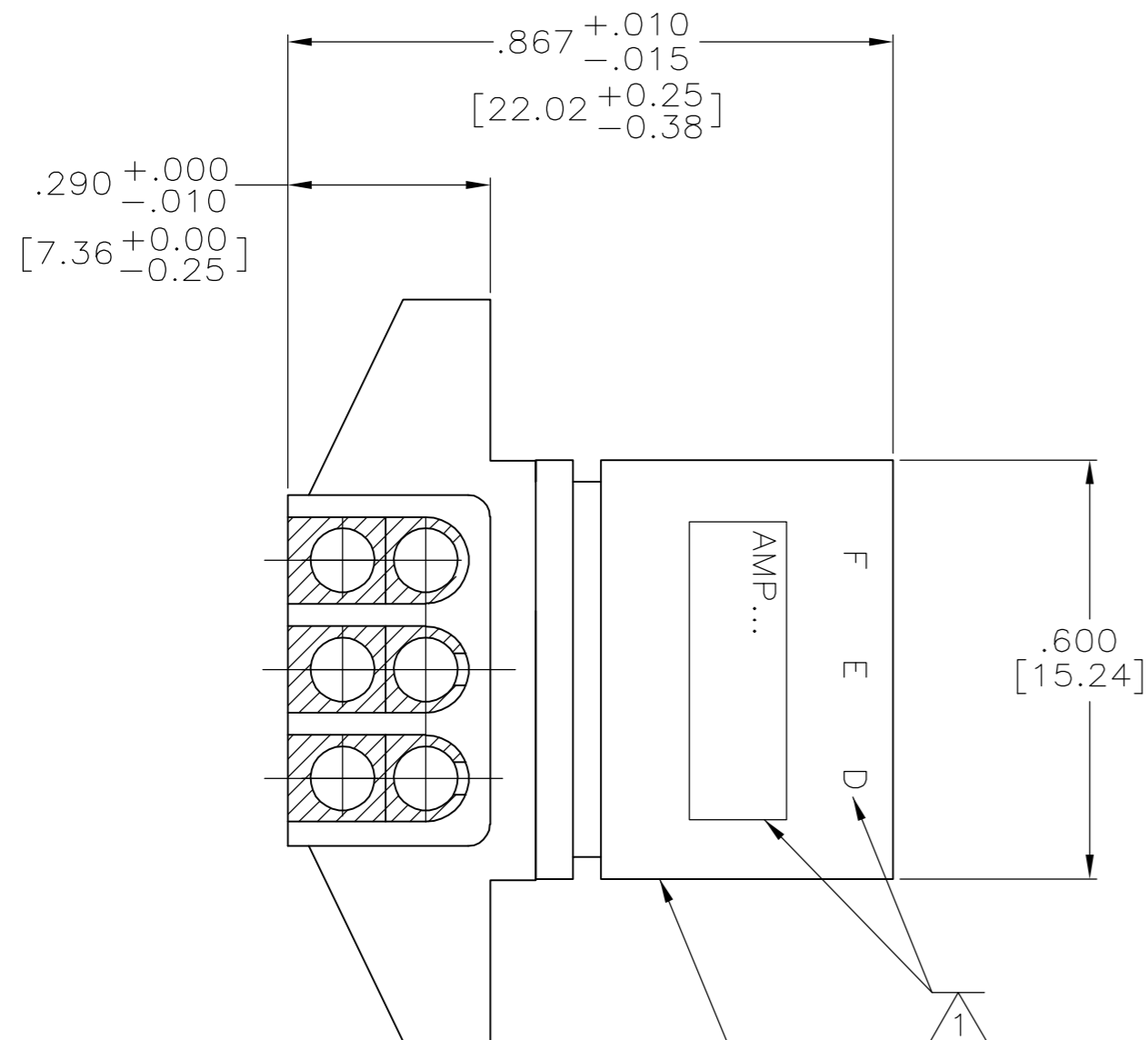


THIS DRAWING IS UNPUBLISHED. RELEASED FOR PUBLICATION - .N/A .  
 © COPYRIGHT N/A BY TYCO ELECTRONICS CORPORATION. ALL RIGHTS RESERVED.

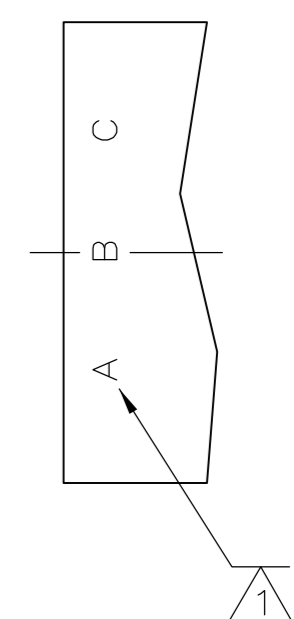
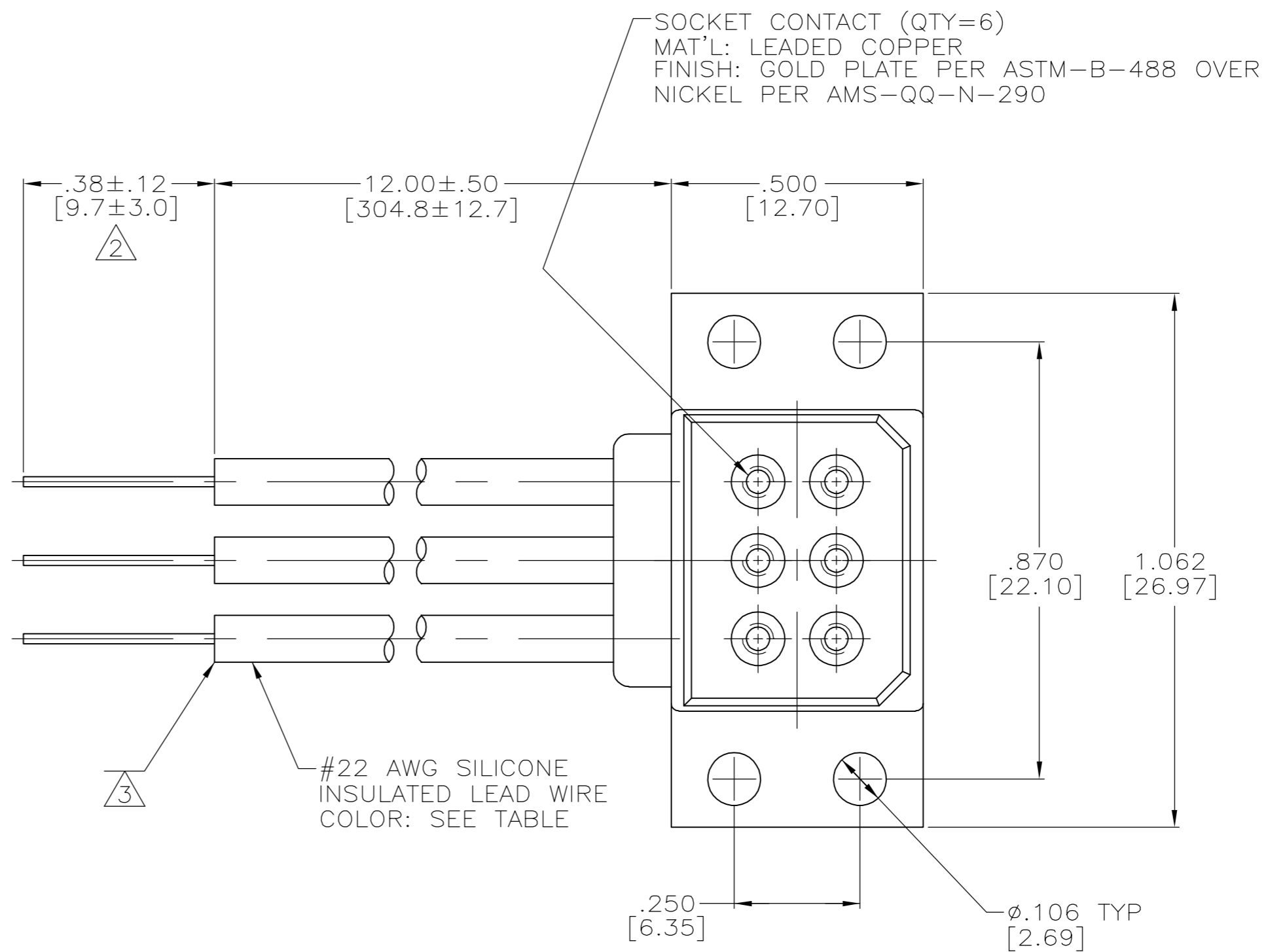
LOC		DIST		REVISIONS			
P	LTR	DESCRIPTION		DATE	DWN	APVD	
	A	REV PER ECO-05-003302		08-05	AA	DE	

CAVITY IDENT	LEAD COLOR
A	BROWN
B	RED
C	GREEN
D	BLUE
E	BLACK
F	WHITE

- ① CAVITY I.D. AND AMP INFO. MARKED PER MIL-STD-130.
- ② PIGTAILS ARE SOLDER DIPPED. (443832-1 ONLY)
- ③ INSULATION CUT, BUT NOT REMOVED. (5-443832-1 ONLY)



RCPT. SHELL  
 MAT'L: POLYESTER MLDG. CMPD.  
 POTTING SHELL W/ MOUNTING FLANGE  
 MAT'L: POLYESTER MLDG. CMPD.



5-443832-1  
 443832-1  
 PART NO.

THIS DRAWING IS A CONTROLLED DOCUMENT.		DWN C.C.THOMAS 02-MAY-96	Tyco Electronics Corporation Harrisburg, Pa 17105-3608	
DIMENSIONS: INCHES [mm]		CHK C.SHELLY 13-MAY-96		
TOLERANCES UNLESS OTHERWISE SPECIFIED:		APVD C.SHELLY 13-MAY-96	NAME RECEPTACLE ASSY RT ANGLE, 6 POSN SUBMINIATURE, LGH	
0 PLC ± - 1 PLC ± - 2 PLC ± .03 [0.8] 3 PLC ± .015 [0.38] 4 PLC ± - ANGLES ± - FINISH SEE TABLE		APPLICATION SPEC -	SIZE A2	CAGE CODE 00779
MATERIAL SEE TABLE		WEIGHT -	DRAWING NO C=443832	RESTRICTED TO -
		CUSTOMER DRAWING	SCALE 4:1	SHEET 1 OF 1