



Chipsmall Limited consists of a professional team with an average of over 10 year of expertise in the distribution of electronic components. Based in Hongkong, we have already established firm and mutual-benefit business relationships with customers from,Europe,America and south Asia,supplying obsolete and hard-to-find components to meet their specific needs.

With the principle of "Quality Parts,Customers Priority,Honest Operation,and Considerate Service",our business mainly focus on the distribution of electronic components. Line cards we deal with include Microchip,ALPS,ROHM,Xilinx,Pulse,ON,Everlight and Freescale. Main products comprise IC,Modules,Potentiometer,IC Socket,Relay,Connector.Our parts cover such applications as commercial,industrial, and automotives areas.

We are looking forward to setting up business relationship with you and hope to provide you with the best service and solution. Let us make a better world for our industry!



Contact us

Tel: +86-755-8981 8866 Fax: +86-755-8427 6832

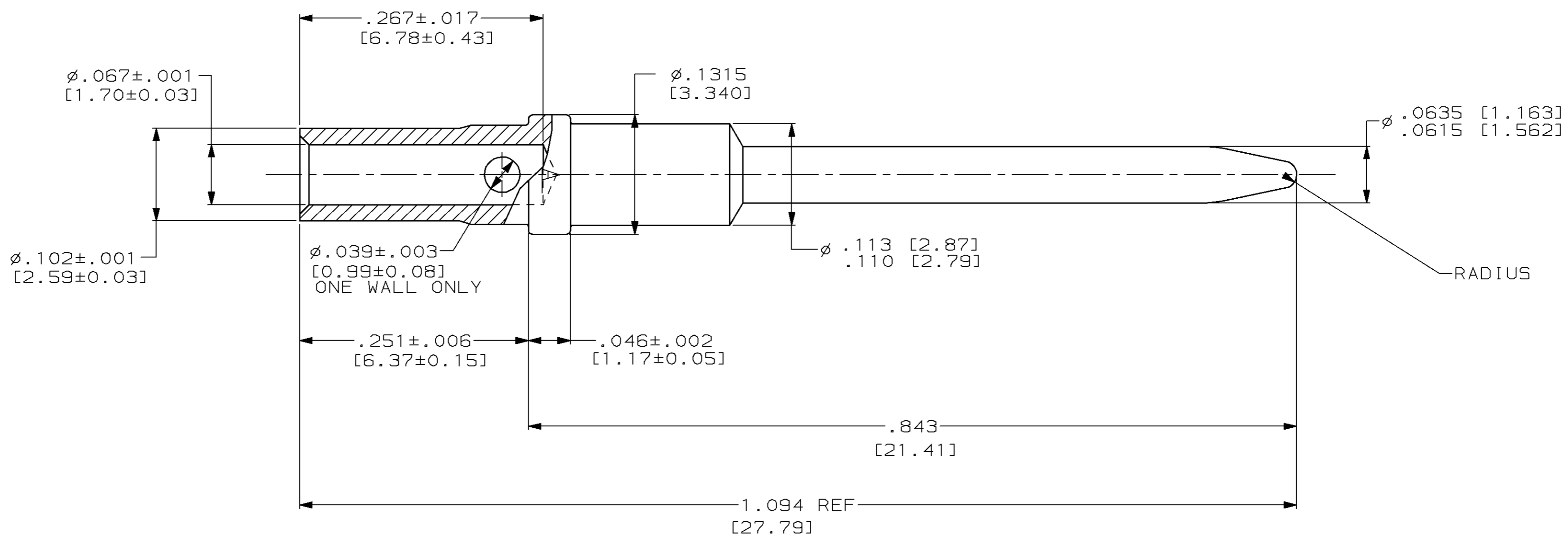
Email & Skype: info@chipsmall.com Web: www.chipsmall.com

Address: A1208, Overseas Decoration Building, #122 Zhenhua RD., Futian, Shenzhen, China



THIS DRAWING IS UNPUBLISHED. RELEASED FOR PUBLICATION
 BY AMP INCORPORATED. ALL RIGHTS RESERVED.

LOC		DIST		REVISIONS			
P	LTR	DESCRIPTION		DATE	DWN	APVD	
0		DRAW PER 0600-5592-96 JB		04-97	JB	AS	



1 MATERIAL: COPPER ALLOY PER MIL-C-39029.
 2 FINISH: GOLD .000050 [0.00127] MIN THK PER MIL-G-45204
 OVER NICKEL .000050 [0.00127] MIN THK PER QQ-N-290.

443838

443838-4
 PART NO.

THIS DRAWING IS A CONTROLLED DOCUMENT.		DWN J. A. Baker 07-22-96	AMP Incorporated Harrisburg, PA 17105-3608	
DIMENSIONS: INCHES [mm]		CHK A. SHARPE 04-18-97	NAME PIN CONTACT, SIZE 16, ARINC-600 EXTENDED LENGTH	
TOLERANCES UNLESS OTHERWISE SPECIFIED:		APVD A. SHARPE 04-18-97	SIZE A2	
0 PLC ±- 1 PLC ±- 2 PLC ±- 3 PLC ±.010 [0.25] 4 PLC ±.0015 [0.038]		PRODUCT SPEC -	CAGE CODE 00779	DRAWING NO C=443838
MATERIAL 1		FINISH 2	WEIGHT -	SCALE 10:1
		CUSTOMER DRAWING	SHEET 1 OF 1	REV 0