



Chipsmall Limited consists of a professional team with an average of over 10 year of expertise in the distribution of electronic components. Based in Hongkong, we have already established firm and mutual-benefit business relationships with customers from,Europe,America and south Asia,supplying obsolete and hard-to-find components to meet their specific needs.

With the principle of “Quality Parts,Customers Priority,Honest Operation,and Considerate Service”,our business mainly focus on the distribution of electronic components. Line cards we deal with include Microchip,ALPS,ROHM,Xilinx,Pulse,ON,Everlight and Freescale. Main products comprise IC,Modules,Potentiometer,IC Socket,Relay,Connector.Our parts cover such applications as commercial,industrial, and automotives areas.

We are looking forward to setting up business relationship with you and hope to provide you with the best service and solution. Let us make a better world for our industry!



## Contact us

Tel: +86-755-8981 8866 Fax: +86-755-8427 6832

Email & Skype: info@chipsmall.com Web: www.chipsmall.com

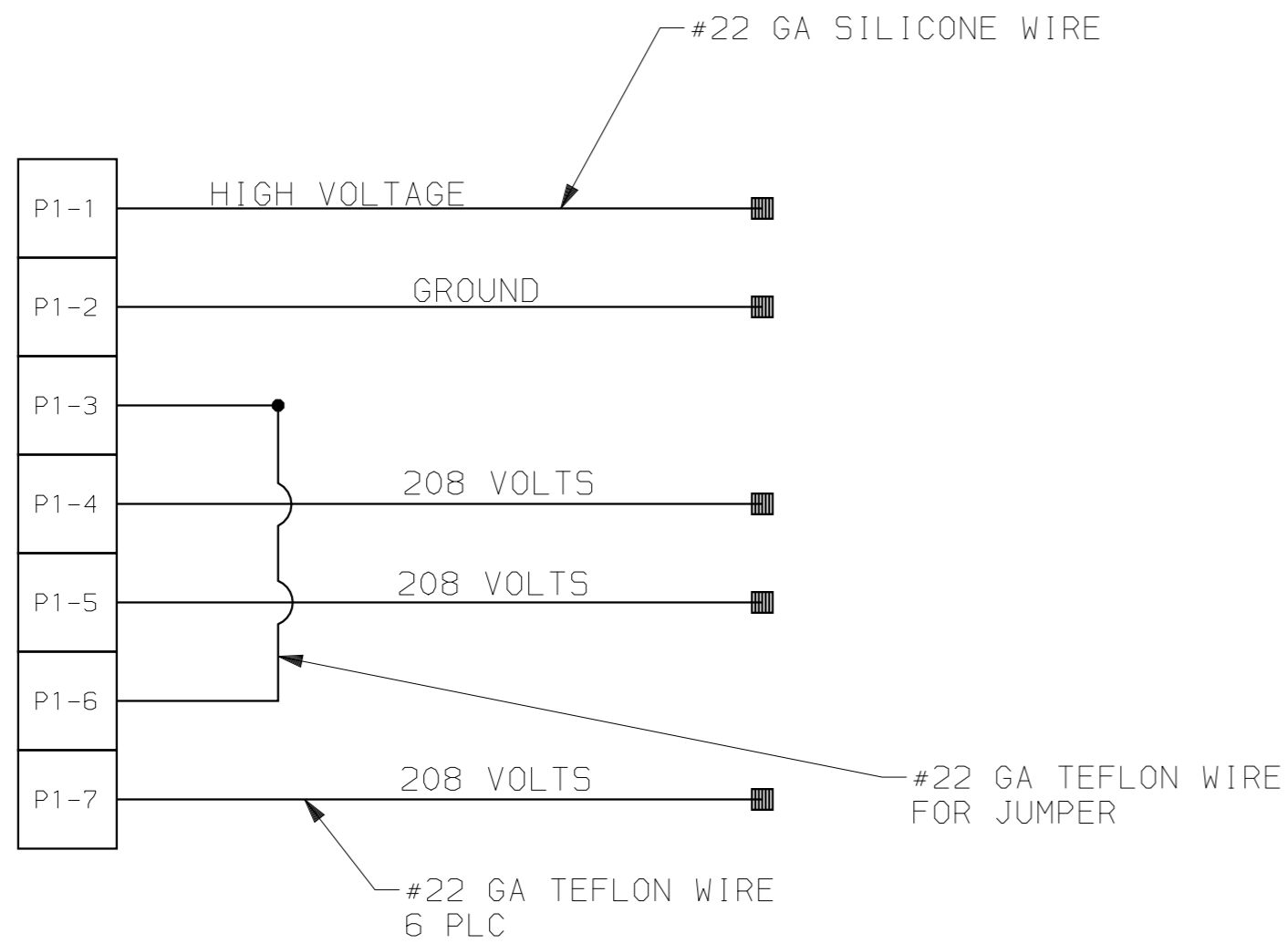
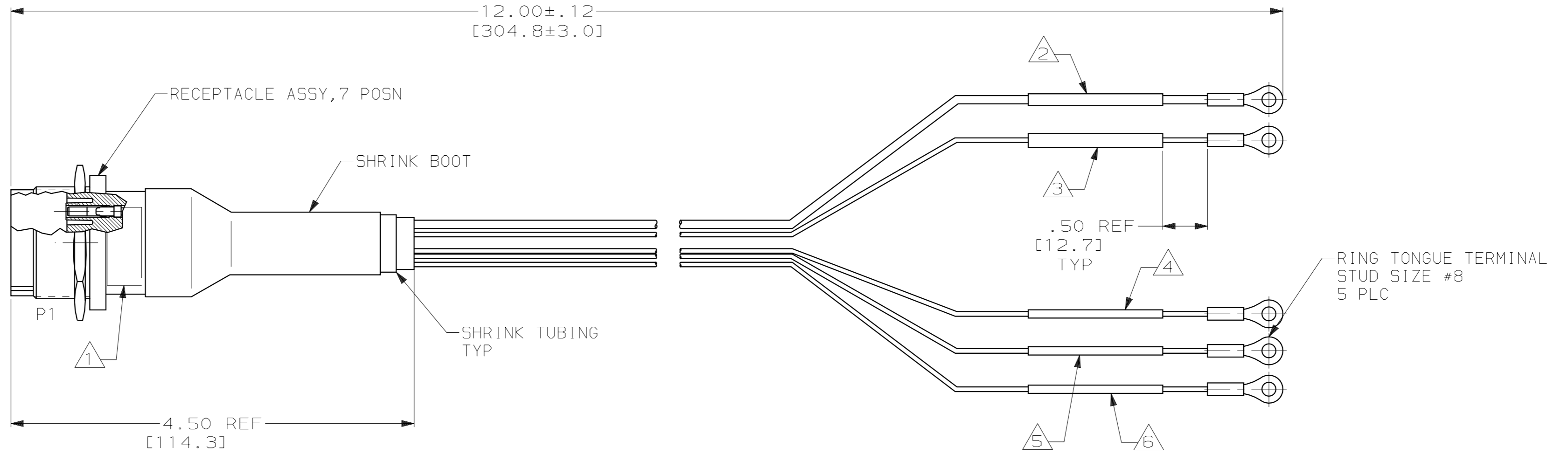
Address: A1208, Overseas Decoration Building, #122 Zhenhua RD., Futian, Shenzhen, China



THIS DRAWING IS UNPUBLISHED. RELEASED FOR PUBLICATION  
 © COPYRIGHT 19 BY AMP INCORPORATED. ALL RIGHTS RESERVED.

LOC		DIST		REVISIONS			
P	LTR	DESCRIPTION	DATE	DWN	APVD		
DF	SO	A	REV PER 0G3D-0430-03	3-04	JMK	DE	

- 1 MARK AMP INFORMATION PER MIL-STD-130.
- 2 "HIGH VOLTAGE" MARKED ON THIS LEAD PER MIL-STD-130.
- 3 "GROUND" MARKED ON THIS LEAD PER MIL-STD-130.
- 4 "208 VOLTS" AND P1-4 MARKED ON THIS LEAD PER MIL-STD-130.
- 5 "208 VOLTS" AND P1-5 MARKED ON THIS LEAD PER MIL-STD-130.
- 6 "208 VOLTS" AND P1-7 MARKED ON THIS LEAD PER MIL-STD-130.



-	443929-1
CUSTOMER MARKING	PART NO. 1

THIS DRAWING IS A CONTROLLED DOCUMENT.		DWN C.C. THOMAS 8-12-97	AMP Incorporated Harrisburg, PA 17105-3608	
DIMENSIONS: INCHES [mm]		CHK D.EABY 11-18-97	NAME CABLE ASSY, SGL END, LGH	
TOLERANCES UNLESS OTHERWISE SPECIFIED:		APVD D.EABY 11-18-97	PRODUCT SPEC -	
0 PLC ±-		APPLICATION SPEC -		
1 PLC ±-		WEIGHT -		
2 PLC ±.01 [0.3]		SIZE A2		
3 PLC ±-		CAGE CODE 00779		
4 PLC ±-		DRAWING NO C-443929		
ANGLES ±-		RESTRICTED TO -		
FINISH -		SCALE 1:1		
MATERIAL -		SHEET 1 OF 1		
		REV A		

443929