



Chipsmall Limited consists of a professional team with an average of over 10 year of expertise in the distribution of electronic components. Based in Hongkong, we have already established firm and mutual-benefit business relationships with customers from,Europe,America and south Asia,supplying obsolete and hard-to-find components to meet their specific needs.

With the principle of "Quality Parts,Customers Priority,Honest Operation,and Considerate Service",our business mainly focus on the distribution of electronic components. Line cards we deal with include Microchip,ALPS,ROHM,Xilinx,Pulse,ON,Everlight and Freescale. Main products comprise IC,Modules,Potentiometer,IC Socket,Relay,Connector.Our parts cover such applications as commercial,industrial, and automotives areas.

We are looking forward to setting up business relationship with you and hope to provide you with the best service and solution. Let us make a better world for our industry!



## Contact us

Tel: +86-755-8981 8866 Fax: +86-755-8427 6832

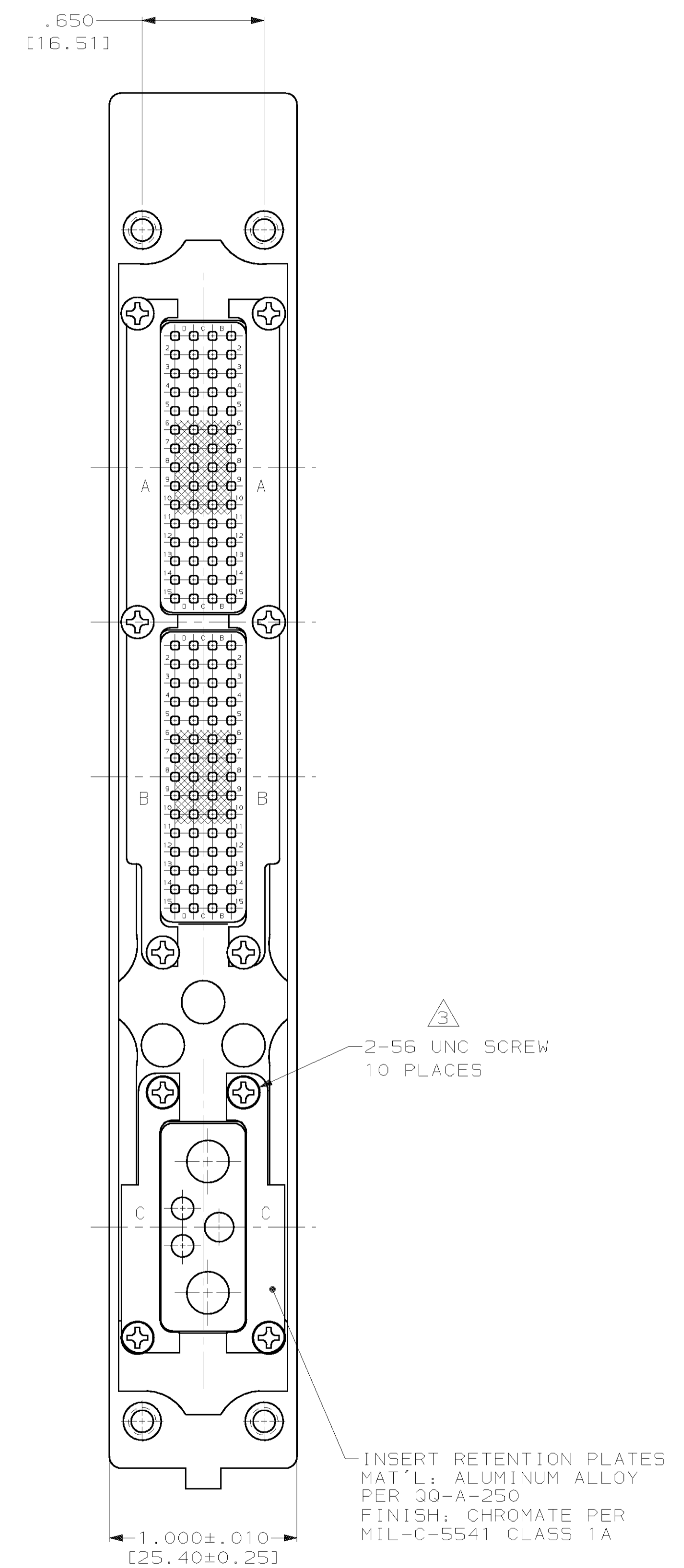
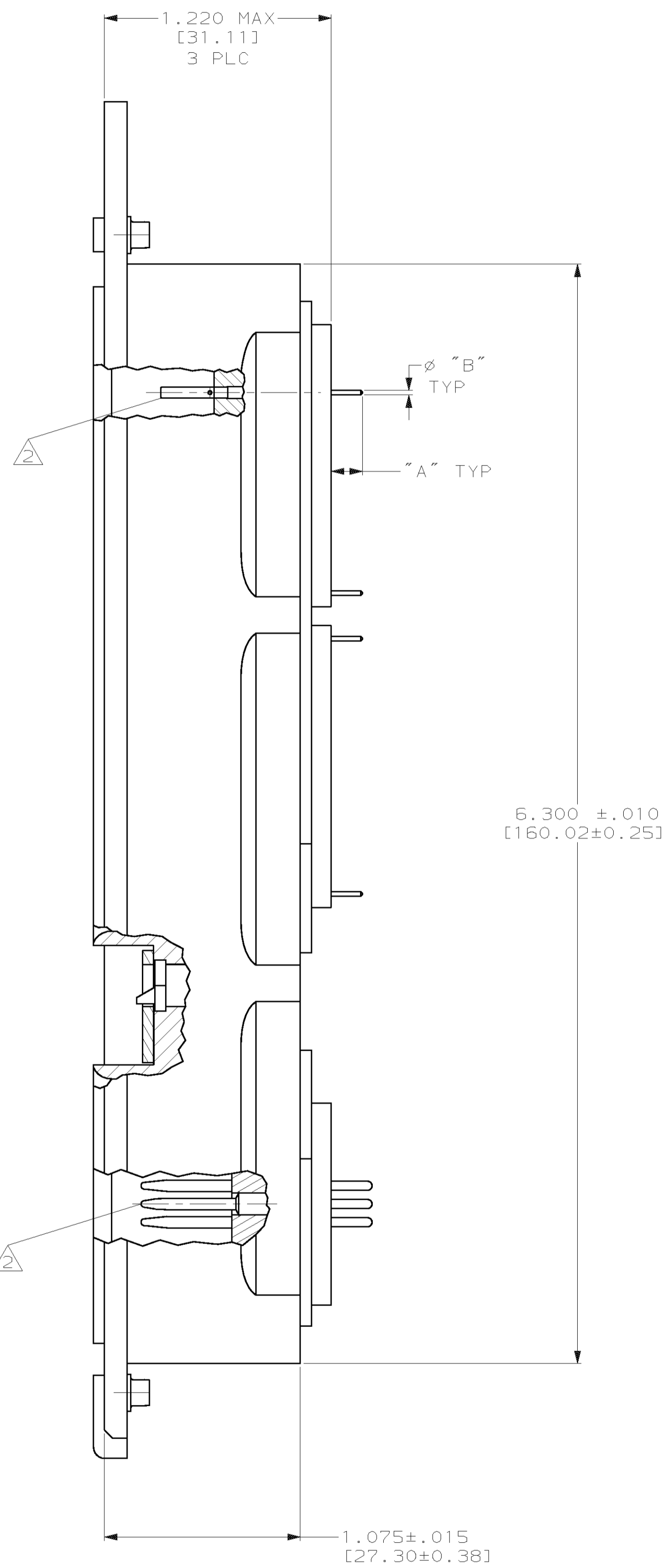
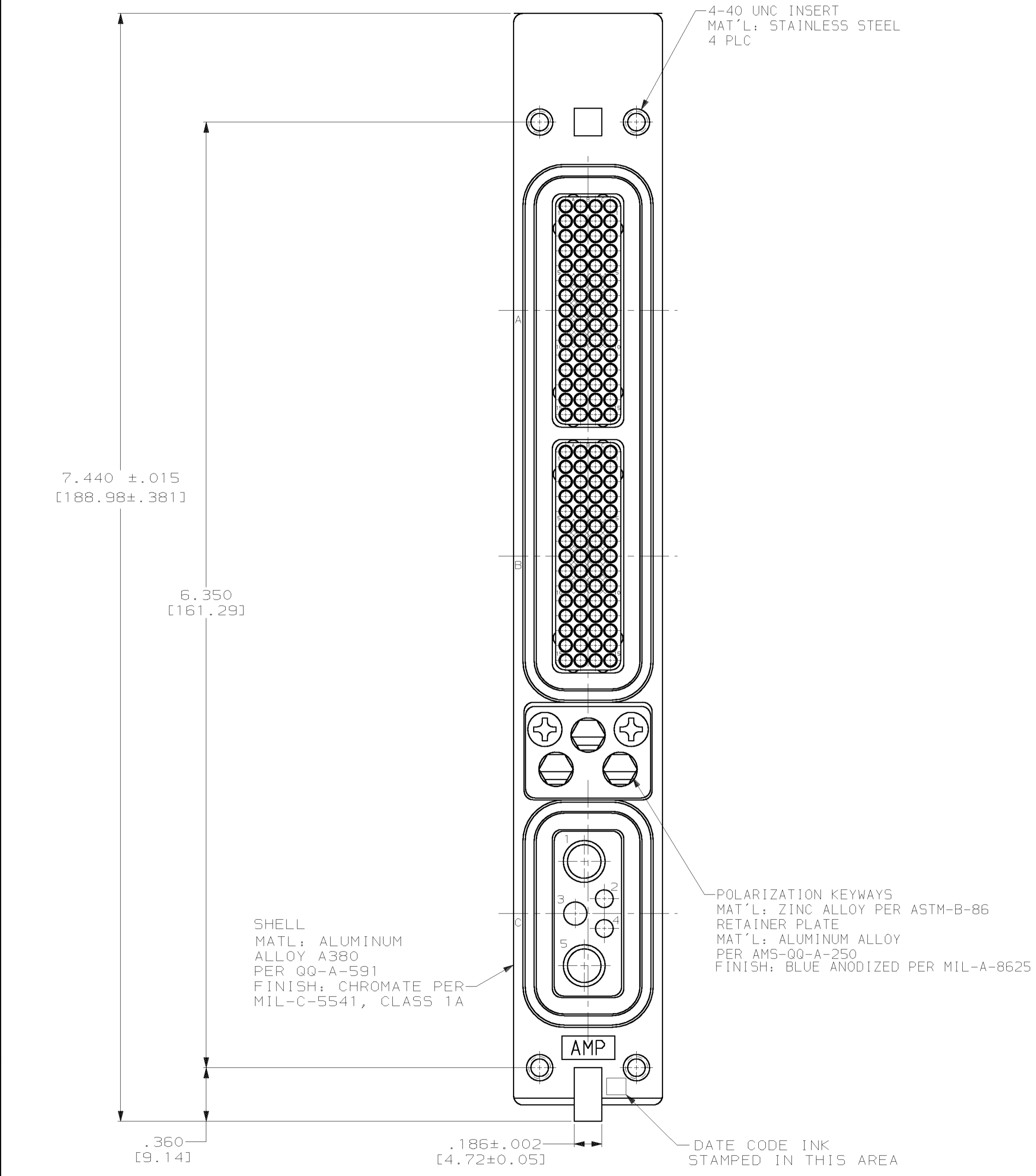
Email & Skype: info@chipsmall.com Web: www.chipsmall.com

Address: A1208, Overseas Decoration Building, #122 Zhenhua RD., Futian, Shenzhen, China



CONTACT PART NO	QTY	DESCRIPTION	NOTE	"A"	"B"	SIZE
211431-2	120	SIZE 22 SOCKET F.R.	ASSEMBLED IN 60 POS INSERTS	.171±.015 [4.34±0.38]	.025±.001 [0.64±0.03]	22
1-448139-1	2	SIZE 16 PIN CONTACT	ASSEMBLED IN	.224±.015 [5.69±0.38]	.050±.002 [1.27±0.05]	16
448140-2	1	SIZE 12 PIN CONTACT	5C2 INSERT	.224±.015 [5.69±0.38]	.081±.002 [2.06±0.05]	12

LOC	DF	JUST	REV	DESCRIPTION	DATE	OWN	APPRO
			0	RELEASED PER 0600-6283-97	4-97	CT	AS
			A	REV PER 0600-6363-97	03-02-98	JB	AS
			B	REV PER 0600-6802-97	03SEP98	TT	SG
			C	REV PER 063D-0042-02	3-03	JMK	SG



- PARTS MEET THE REQUIRMENTS OF THE ARINC 600 SPECIFICATION.
- THE CONTACTS NOTED IN THE TABLE ARE INCLUDED WITH THE CONNECTOR.
- RETAINER PLATE SCREWS ARE COUNTERSINK STYLE.
- DUST COVER INCLUDED WITH CONNECTOR.
- POLARIZING KEYS ASSEMBLED IN POSITION "01".
- INSERT LOCATED IN CAVITY "C", HAS A CAPACITY FOR TWO SIZE 16 PIN CONTACTS AND ONE SIZE 12 PIN CONTACT ONLY. DUE TO MODIFICATIONS, THE TWO SIZE 5 CAVITIES WILL NOT RETAIN CONTACTS.

NOTES	REAR RELEASE 13C2 PIN C MODULE	FRONT RELEASE 60 SOCKET B MODULE	FRONT RELEASE 60 SOCKET A MODULE	443956-1 PART NUMBER
<p>THIS DRAWING IS A CONTROLLED DOCUMENT AND IS UNCLASSIFIED. IT IS SUBJECT TO CHANGE AND THE CONTROLLING ENGINEERING DEPARTMENT SHOULD BE CONTACTED FOR THE LATEST REVISION.</p> <p>TOLERANCES UNLESS OTHERWISE SPECIFIED:</p> <p>∅: .005 (0.13)</p> <p>ANGLES: .005 (0.13)</p> <p>FINISH: SEE CALLOUT</p>	<p>DMN: C.C. THOMAS 4-18-97</p> <p>CHK: A. SHARPE 4-18-97</p> <p>APP: A. SHARPE 4-18-97</p> <p>PRODUCT SPEC</p>	<p>AMP Incorporated Harrisburg, PA 17105-3608</p> <p>RECEPTACLE ASSEMBLY, SIZE ONE, ARINC 600, FRONT RELEASE</p>		
MATERIAL: SEE CALLOUT	SIZE: A1	CAGE CODE: 00779	DRAWING NO: 443956	SHEET 1 OF 1
CUSTOMER DRAWING		SCALE: 2:1	REV: C	