



Chipsmall Limited consists of a professional team with an average of over 10 year of expertise in the distribution of electronic components. Based in Hongkong, we have already established firm and mutual-benefit business relationships with customers from,Europe,America and south Asia,supplying obsolete and hard-to-find components to meet their specific needs.

With the principle of “Quality Parts,Customers Priority,Honest Operation,and Considerate Service”,our business mainly focus on the distribution of electronic components. Line cards we deal with include Microchip,ALPS,ROHM,Xilinx,Pulse,ON,Everlight and Freescale. Main products comprise IC,Modules,Potentiometer,IC Socket,Relay,Connector.Our parts cover such applications as commercial,industrial, and automotives areas.

We are looking forward to setting up business relationship with you and hope to provide you with the best service and solution. Let us make a better world for our industry!



Contact us

Tel: +86-755-8981 8866 Fax: +86-755-8427 6832

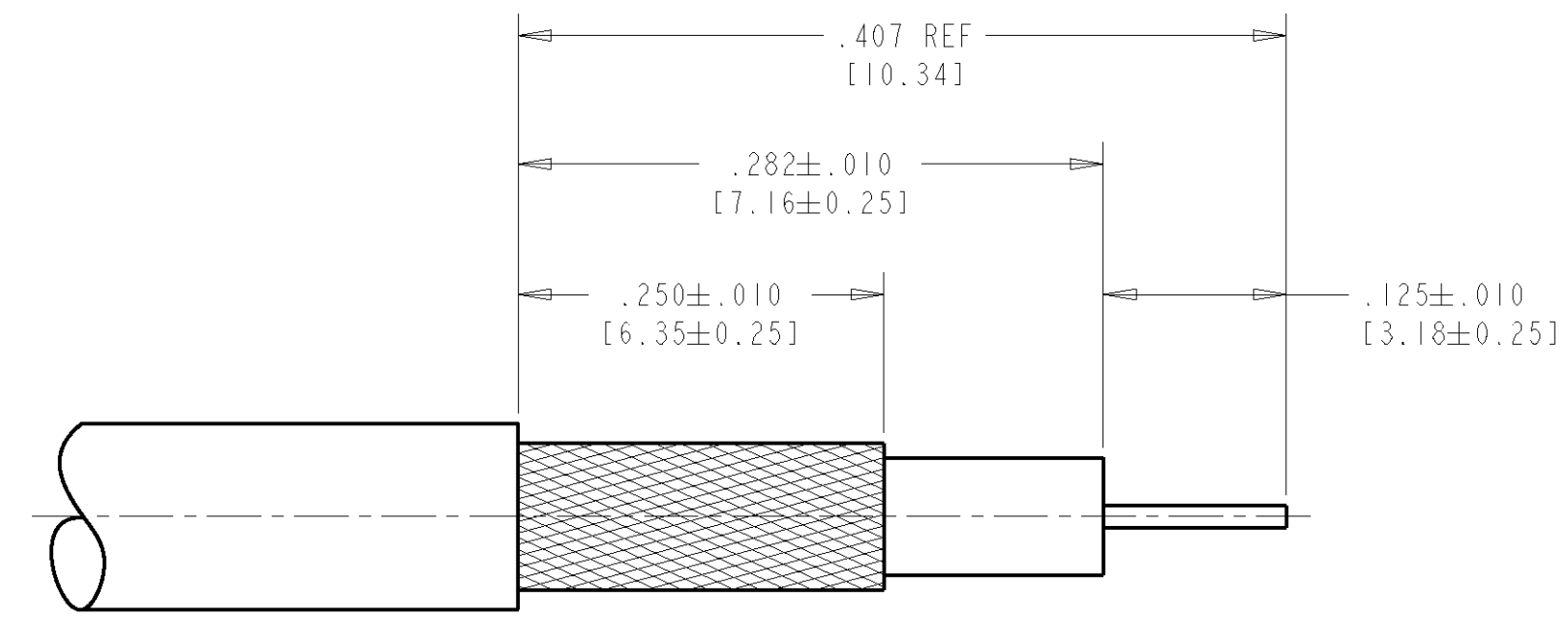
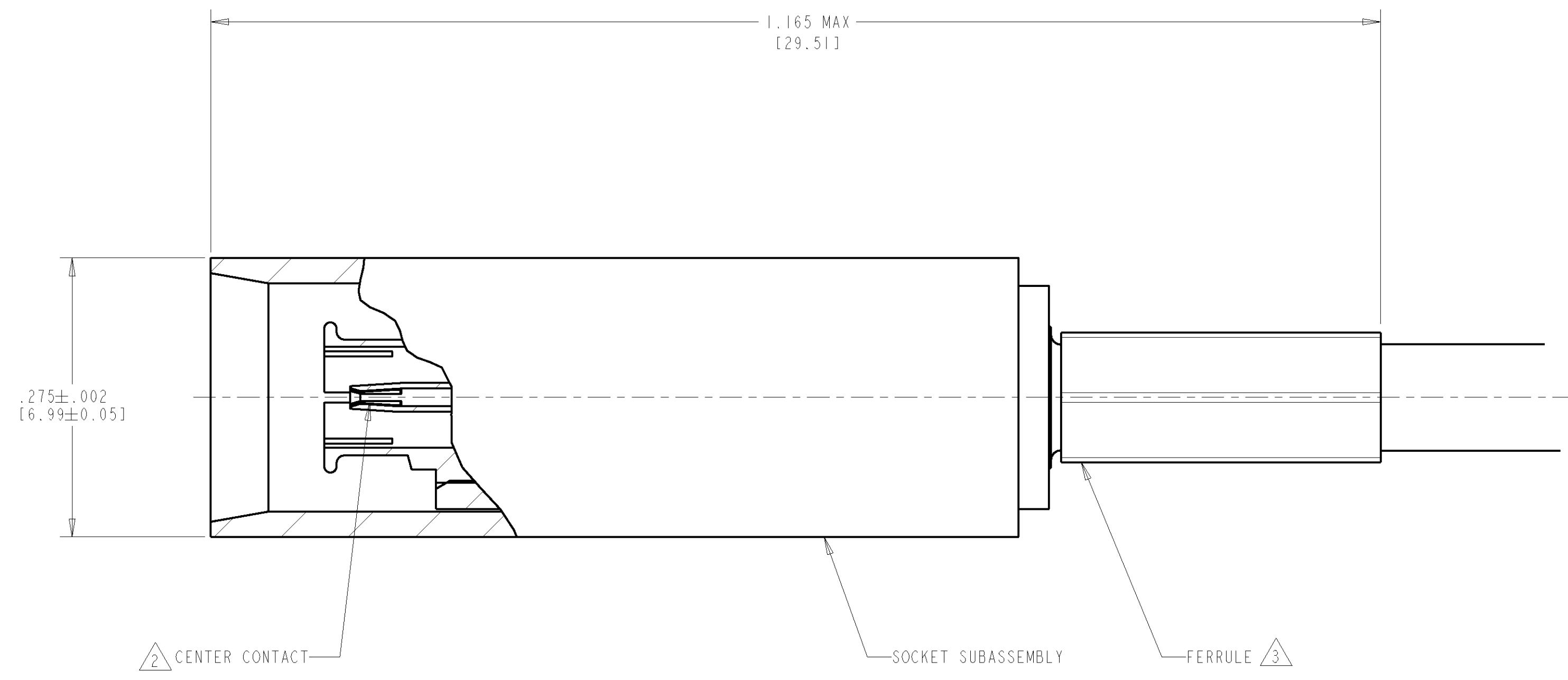
Email & Skype: info@chipsmall.com Web: www.chipsmall.com

Address: A1208, Overseas Decoration Building, #122 Zhenhua RD., Futian, Shenzhen, China



THIS DRAWING IS UNPUBLISHED. RELEASED FOR PUBLICATION .19
 © COPYRIGHT 19 BY AMP INCORPORATED. ALL RIGHTS RESERVED.

LOC	DIST	REVISIONS					
DF	A0	F	LTR	DESCRIPTION	DATE	DWN	APVD
		O		DRAW PER 0600-6927-97	3-Dec-97	JB	JW
		A		REV PER 0600-7631-98	11-Nov-98	JB	JW



RECOMMENDED STRIP LENGTH

1. PARTS PACKAGED UNASSEMBLED
- 2 CENTER CONTACT CRIMP: USE DANIELS HMR TOOL AFM8 OR AMP HAND TOOL 601966-1 WITH DANIELS POSITIONER K1289
- 3 BRAID CRIMP: USE DANIELS HAND TOOL HX4 WITH DIESET Y196 CAVITY A OR AMP HAND TOOL 35940-1 WITH DIESET 58483-1 CAVITY B

<small>THIS DRAWING IS A CONTROLLED DOCUMENT FOR AMP INCORPORATED. IT IS SUBJECT TO CHANGE AND THE CONTROLLING ENGINEERING ORGANIZATION SHOULD BE CONTACTED FOR THE LATEST REVISION.</small>		DWN J.A. Baker 3-Dec-97 CHK J. WEAVER 3-Dec-97 APVD J. WEAVER 3-Dec-97	AMP Incorporated Harrisburg, PA 17105-3608
DIMENSIONS: INCHES 	TOLERANCES UNLESS OTHERWISE SPECIFIED: 0 PLC ± 1 PLC ± 2 PLC ± 3 PLC ± 4 PLC ± ANGLES ± FINISH -	PRODUCT SPEC - APPLICATION SPEC - WEIGHT -	NAME - SOCKET, COAXIAL, SIZE 5, ARINC, 75 Ohm SIZE A2 CAGE CODE 00779 DRAWING NO. 443972
MATERIAL - CUSTOMER DRAWING			SCALE 10:1 SHEET 1 OF 1 REV A