



Chipsmall Limited consists of a professional team with an average of over 10 year of expertise in the distribution of electronic components. Based in Hongkong, we have already established firm and mutual-benefit business relationships with customers from,Europe,America and south Asia,supplying obsolete and hard-to-find components to meet their specific needs.

With the principle of “Quality Parts,Customers Priority,Honest Operation,and Considerate Service”,our business mainly focus on the distribution of electronic components. Line cards we deal with include Microchip,ALPS,ROHM,Xilinx,Pulse,ON,Everlight and Freescale. Main products comprise IC,Modules,Potentiometer,IC Socket,Relay,Connector.Our parts cover such applications as commercial,industrial, and automotives areas.

We are looking forward to setting up business relationship with you and hope to provide you with the best service and solution. Let us make a better world for our industry!



## Contact us

Tel: +86-755-8981 8866 Fax: +86-755-8427 6832

Email & Skype: info@chipsmall.com Web: www.chipsmall.com

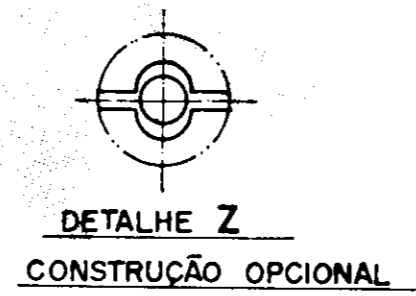
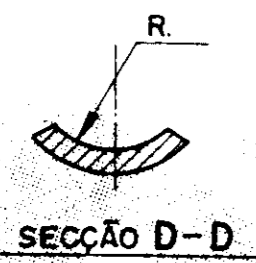
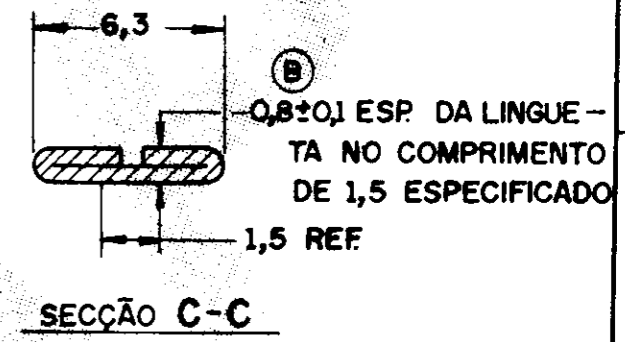
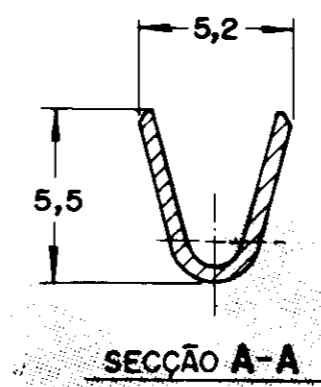
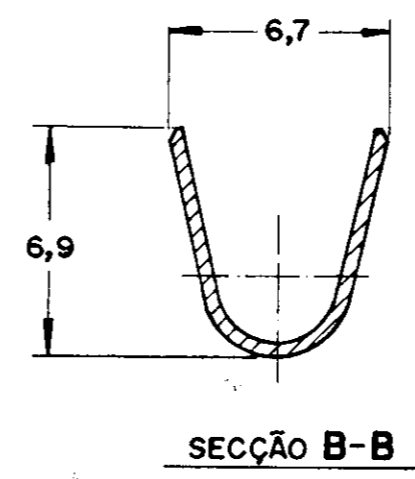
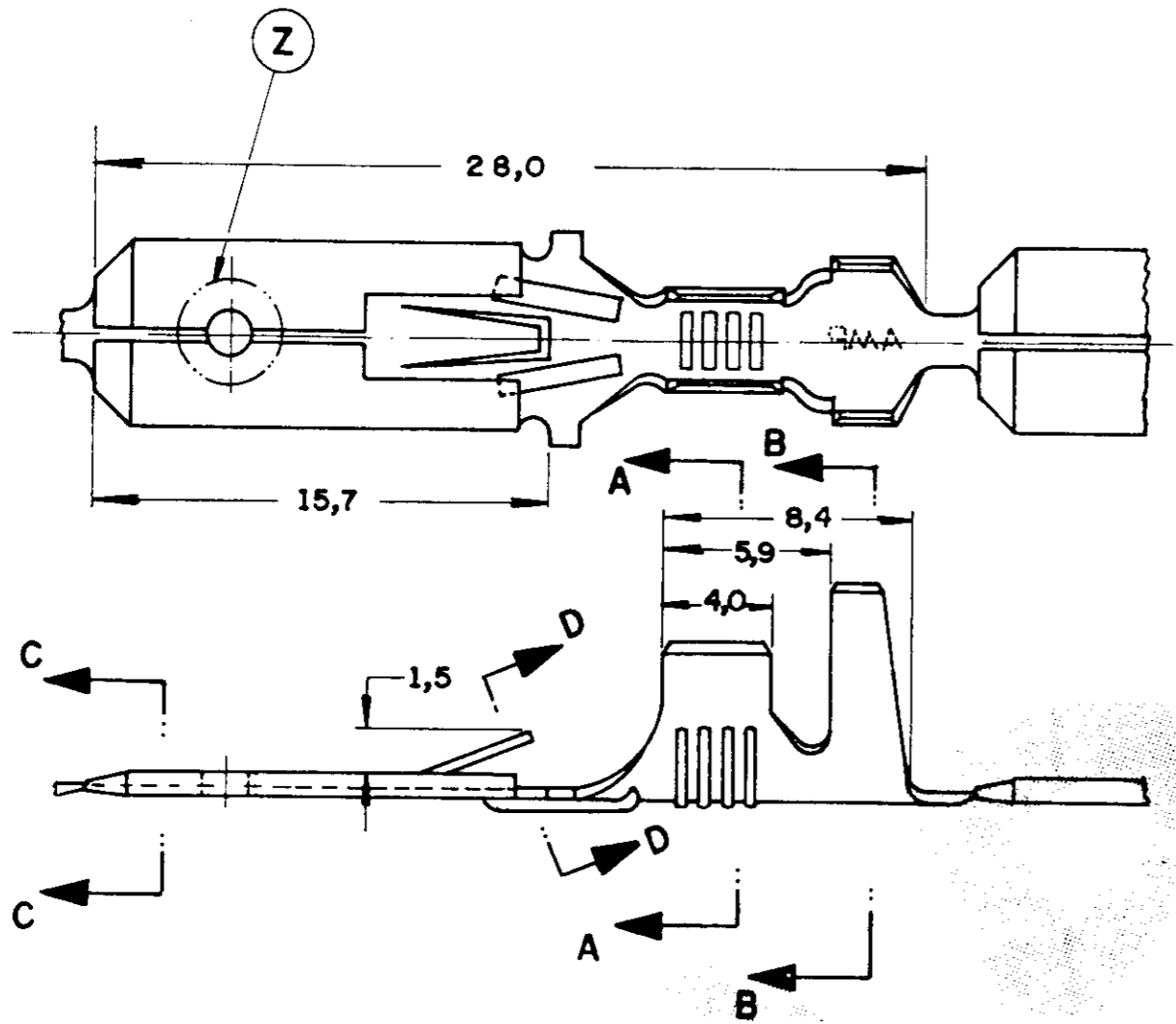
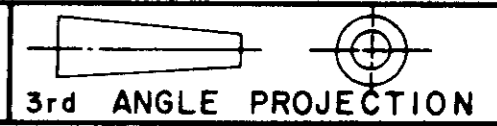
Address: A1208, Overseas Decoration Building, #122 Zhenhua RD., Futian, Shenzhen, China



C444153

DO NOT SCALE  
DIMENSIONS IN

**METRIC**



(A)	ESTANHADO	BRONZE FOSF.	-4
(A)	— / —	BRONZE FOSF.	-3
(A)	ESTANHADO	LATÃO	-2
	— / —	LATÃO	444153 -1
OTHER TREATMENT		FINISH	MATERIAL
			PART NUMBER

**CUSTOMER DWG**  
for REFERENCE ONLY

THIS DRAWING IS UNPUBLISHED. RELEASED FOR PUBLICATION IS  
© COPYRIGHT 19 BY AMP DO BRASIL LTDA S.P. ALL INTERNATIONAL RIGHTS  
RESERVED. AMP PRODUCTS MAY BE COVERED BY U.S. AND FOREIGN PATENTS AND/OR PATENTS PENDING.

TOLERANCES UNLESS OTHERWISE STATED	INS. DIA. RANGE	WIRE RANGE	SCALE
DEC. ± 0,3	3,2-4,3 mm	>4,0-6,0mm	2 4:1
ANGLES ± 1°			

DR. 06-10-92  
Dourival Alves Rochg

**AMP** AMP do BRASIL LTDA.  
São Paulo, Brasil

DESCRIPTION  
**.250 SERIES FASTIN-ON TAB**

REVISION RECORD	DR	CNK	DATE	APP.	DWG NO	SHEET
B ERA 0,8 LB-026-94 Dori 72-7 4Feb94				J.R. Folosafis 28-10-92	A3	1 OF 1
A ADIC. TRACOS 2,3 E 4 06-10-93 M.R. B. 13-MAY-93				J. Couther 29/10/92	C 444153	
O ERA P92-29205 Dori 72-7 08-10-92				APP. 24.10.92		