



Chipsmall Limited consists of a professional team with an average of over 10 year of expertise in the distribution of electronic components. Based in Hongkong, we have already established firm and mutual-benefit business relationships with customers from,Europe,America and south Asia,supplying obsolete and hard-to-find components to meet their specific needs.

With the principle of "Quality Parts,Customers Priority,Honest Operation,and Considerate Service",our business mainly focus on the distribution of electronic components. Line cards we deal with include Microchip,ALPS,ROHM,Xilinx,Pulse,ON,Everlight and Freescale. Main products comprise IC,Modules,Potentiometer,IC Socket,Relay,Connector.Our parts cover such applications as commercial,industrial, and automotives areas.

We are looking forward to setting up business relationship with you and hope to provide you with the best service and solution. Let us make a better world for our industry!



Contact us

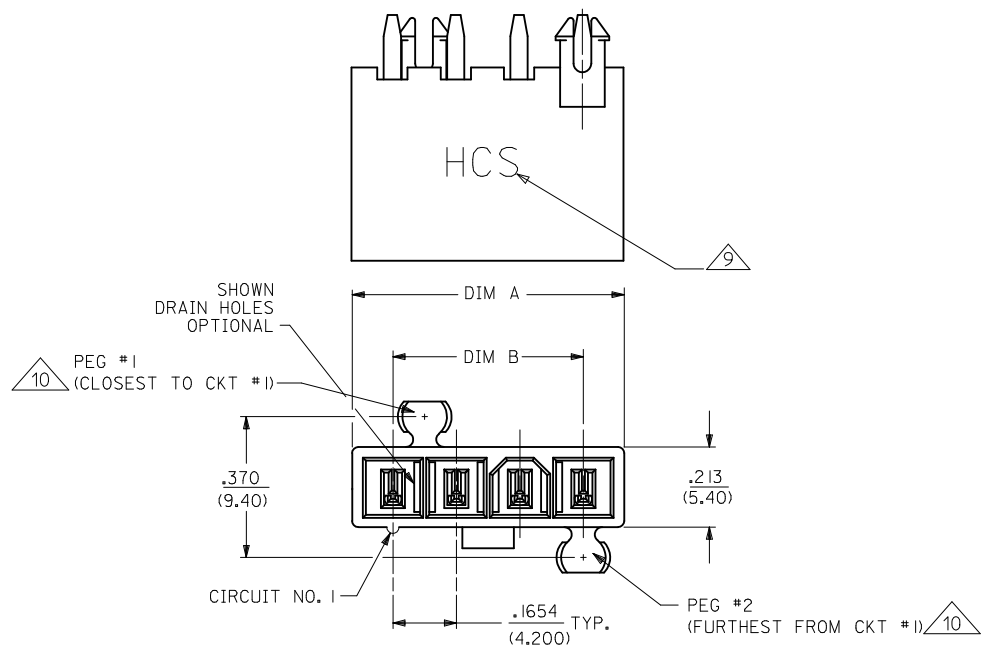
Tel: +86-755-8981 8866 Fax: +86-755-8427 6832

Email & Skype: info@chipsmall.com Web: www.chipsmall.com

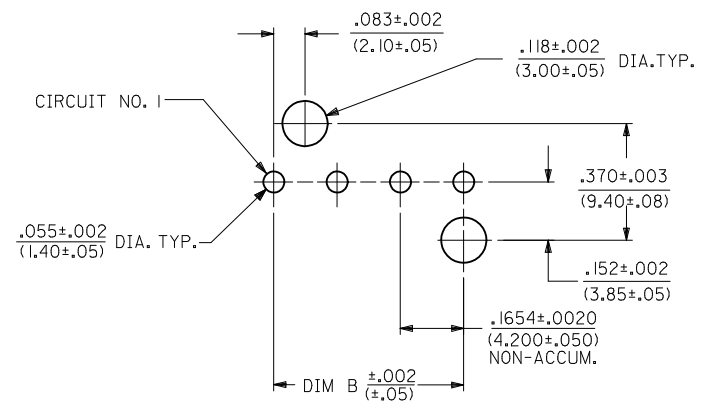
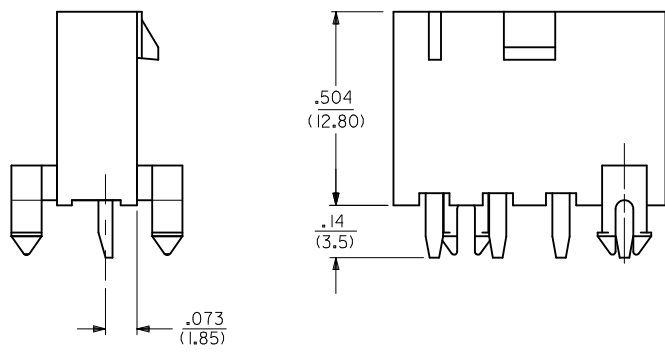
Address: A1208, Overseas Decoration Building, #122 Zhenhua RD., Futian, Shenzhen, China



CKT SIZE	DIM A	DIM B
4	.709 (18.00)	.496 (12.60)
5	.874 (22.20)	.661 (16.80)
6	1.039 (26.40)	.827 (21.00)
7	1.205 (30.60)	.992 (25.20)
8	1.370 (34.80)	1.157 (29.40)
9	1.535 (39.00)	1.323 (33.60)
10	1.701 (43.20)	1.488 (37.80)
11	1.866 (47.40)	1.654 (42.00)
12	2.031 (51.60)	1.819 (46.20)



- NOTES:
- MATERIALS:
HOUSING:
1=NYLON 6/6, UL94 V-2, COLOR: NATURAL
2=NYLON 6/6, UL94 V-0, COLOR: NATURAL
3=NYLON 6/6, UL94 V-2, COLOR: BLACK
TERMINALS:
COPPER ALLOY
 - TERMINAL PLATING:
1=.000100/(0.00254) MIN. MATTE TIN OVER
.000050/(0.00127) MIN. NICKEL
2=.000030/(0.00076) MIN. SELECT GOLD AND
.000100/(0.00254) MIN. SELECT MATTE TIN
OVER .000050/(0.00127) MIN. NICKEL OVERALL
 - PRODUCT SPECIFICATION: PS-44476-001
 - PACKAGING: SEE CHARTS
 - PART MATES WITH MINI-FIT JR. RECEPTACLE NO. 5557.
 - PART IS NOT DESIGNED FOR CURRENT SHARING.
 - PARTS ARE NOT TO BE MATED OR UN-MATED WHILE CIRCUITS ARE LIVE.
 - 44472-2470 ONLY FOR WIDER LOCKING RAMP.
 - PARTS WILL HAVE "HCS" MARKING.
 - SEE CHART FOR PARTS WITH PEGS.
 - PART CONFORMS TO CLASS "B" REQUIREMENTS OF COSMETIC SPECIFICATION PS-45499-002.

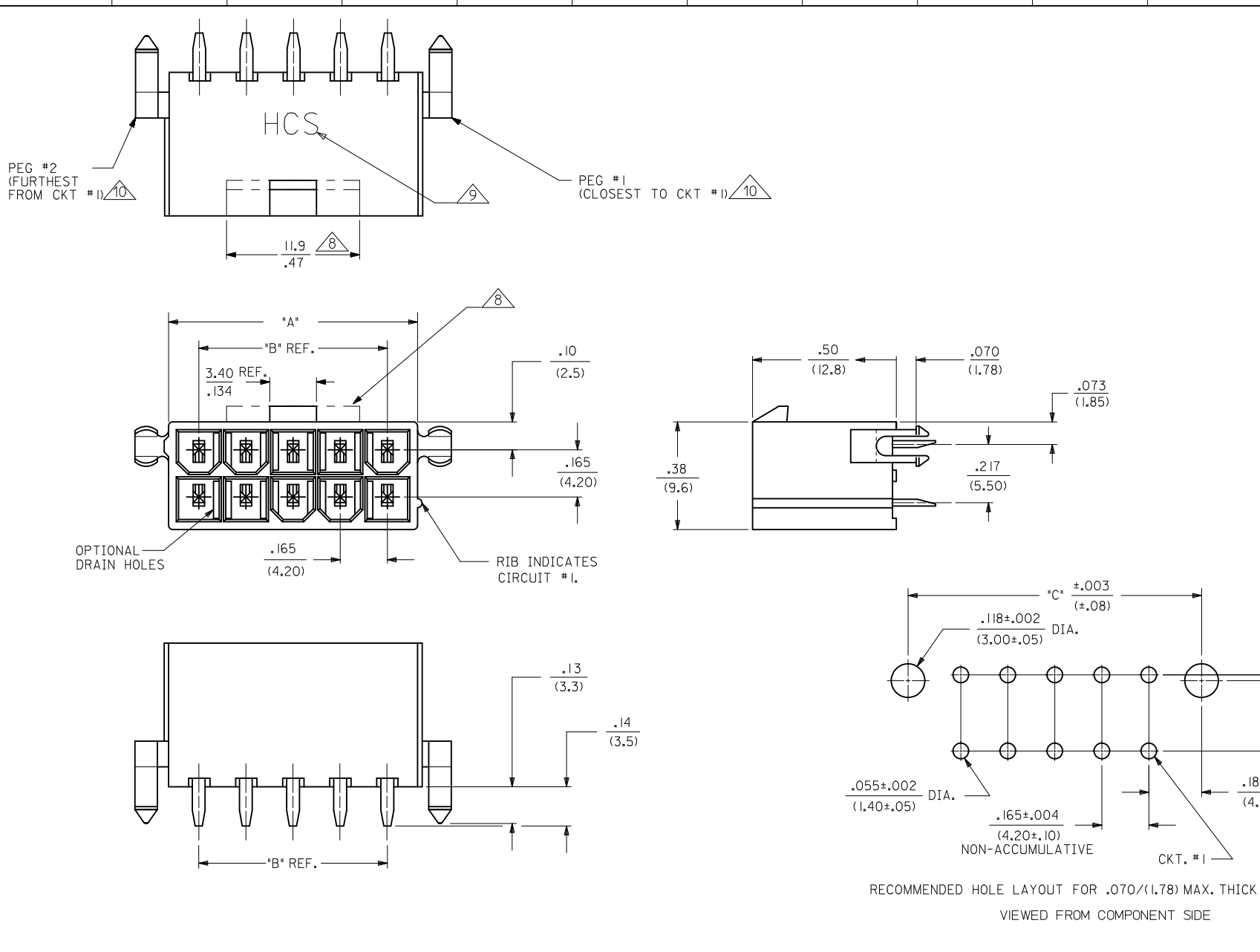


RECOMMENDED HOLE LAYOUT FOR
.070/(1.78) MAX. THICK P. C. BOARD
VIEWED FROM COMPONENT SIDE

LEGEND:
44472 - ** **
CIRCUIT SIZE _____
(04-12 FOR SINGLE ROW)
(02-24 FOR DUAL ROW)
ASSEMBLY VERSION _____
(01 THRU 49 FOR SINGLE ROW)
(50 THRU 99 FOR DUAL ROW)

SEE SHT. 2 FOR DUAL ROW
* THE CHART FOR SINGLE ROW PRODUCT IS ON PAGE 6.

CHANGE PLATING EC NO: UCP2012-1560 DRW: NGUYEN CHKD: J.BELL APPR: FSMITH	2012/01/05 2012/01/05 2012/02/02	DESCRIPTION REV	QUALITY SYMBOLS ▽=0 ▽=0 ▽=0	GENERAL TOLERANCES (UNLESS SPECIFIED)		DIMENSION STYLE IN/MM		SCALE 4:1	DESIGN UNITS METRIC	THIRD ANGLE PROJECTION
				mm	INCH	DRAWN BY GEP	DATE 1994/07/25	TITLE MINI-FIT VERT HDR ASSY W & W/O PEGS/DRAIN HOLES SINGLE AND DUAL ROW		
DRAFT WHERE APPLICABLE MUST REMAIN WITHIN DIMENSIONS				4 PLACES ± --- ± ---		CHECKED BY RJF		DATE 1994/07/25		MATERIAL NO. DOCUMENT NO. SDA-44472-****
				3 PLACES ± --- ± .015		APPROVED BY RJF		DATE 1994/07/25		
M				2 PLACES ± 0.38 ± .020		MATERIAL NO.		DOCUMENT NO.		SHEET NO. 1 OF 8
				1 PLACE ± 0.50 ± ---		SEE CHARTS		SDA-44472-****		
M				ANGULAR ± 1/2°		THIS DRAWING CONTAINS INFORMATION THAT IS PROPRIETARY TO MOLEX INCORPORATED AND SHOULD NOT BE USED WITHOUT WRITTEN PERMISSION				



CIRCUIT SIZE	DIM. "A"	DIM. "B"	DIM. "C"
2	.21 (5.4)	—	.370 (9.40)
4	.38 (9.6)	.17 (4.2)	.535 (13.60)
6	.54 (13.8)	.33 (8.4)	.701 (17.80)
8	.71 (18.0)	.50 (12.6)	.866 (22.00)
10	.87 (22.2)	.66 (16.8)	1.031 (26.20)
12	1.04 (26.4)	.83 (21.0)	1.197 (30.40)
14	1.20 (30.6)	.99 (25.2)	1.362 (34.60)
16	1.37 (34.8)	1.16 (29.4)	1.528 (38.80)
18	1.54 (39.0)	1.32 (33.6)	1.693 (43.00)
20	1.70 (43.2)	1.49 (37.8)	1.858 (47.20)
22	1.87 (47.4)	1.65 (42.0)	2.024 (51.40)
24	2.03 (51.6)	1.82 (46.2)	2.189 (55.60)

SEE SHT. I FOR SINGLE ROW

SEE SHEET 1 EC NO: UCP2012-1560 DRAWING: NGUYEN 2012/01/05 CHKD: J. BELL 2012/01/05 APPR: F. SMITH 2012/02/02	QUALITY SYMBOLS	GENERAL TOLERANCES (UNLESS SPECIFIED)	DIMENSION STYLE IN/MM	SCALE 4:1	DESIGN UNITS METRIC	THIRD ANGLE PROJECTION
	▽=0	mm INCH	DRAWN BY DATE GEP 1994/07/25	TITLE MINI-FIT VERT HDR ASSY W & W/O PEGS/DRAIN HOLES SINGLE AND DUAL ROW		
	▽=0	4 PLACES ± --- ± ---	CHECKED BY DATE RJF 1994/07/25	MATERIAL NO. DOCUMENT NO. SEE CHARTS SDA-44472-****		
	▽=0	2 PLACES ± 0.38 ± .020	APPROVED BY DATE RJF 1994/07/25	SHEET NO. 2 OF 8		
M	DESCRIPTION	ANGULAR ± 1/2°	DRAFT WHERE APPLICABLE MUST REMAIN WITHIN DIMENSIONS THIS DRAWING CONTAINS INFORMATION THAT IS PROPRIETARY TO MOLEX INCORPORATED AND SHOULD NOT BE USED WITHOUT WRITTEN PERMISSION			

DUAL ROW PART NUMBERS WITH MATTE TIN PLATING

WITH PEGS

PLATING:	I (SEE NOTE 2)	PLATING:	I (SEE NOTE 2)	PLATING:	I (SEE NOTE 2)	PLATING:	I (SEE NOTE 2)
DRAINS:	WITHOUT DRAIN HOLES	DRAINS:	WITHOUT DRAIN HOLES	DRAINS:	WITH DRAIN HOLES	DRAINS:	WITH DRAIN HOLES
PEGS:	WITH PEGS	PEGS:	WITH PEGS	PEGS:	WITH PEGS	PEGS:	WITH PEGS
MAT'L:	94V-2 [NATURAL]	MAT'L:	94V-0 [NATURAL]	MAT'L:	94V-2 [NATURAL]	MAT'L:	94V-0 [NATURAL]
PACKAGING:	PK-5566-001	PACKAGING:	PK-5566-001	PACKAGING:	PK-5566-001	PACKAGING:	PK-5566-001

ITEM NO.	CKTS	ITEM NO.	CKTS	ITEM NO.	CKTS	ITEM NO.	CKTS
44472-0250	2	44472-0251	2	44472-0252	2	44472-0253	2
44472-0450	4	44472-0451	4	44472-0452	4	44472-0453	4
44472-0650	6	44472-0651	6	44472-0652	6	44472-0653	6
44472-0850	8	44472-0851	8	44472-0852	8	44472-0853	8
44472-1050	10	44472-1051	10	44472-1052	10	44472-1053	10
44472-1250	12	44472-1251	12	44472-1252	12	44472-1253	12
44472-1450	14	44472-1451	14	44472-1452	14	44472-1453	14
44472-1650	16	44472-1651	16	44472-1652	16	44472-1653	16
44472-1850	18	44472-1851	18	44472-1852	18	44472-1853	18
44472-2050	20	44472-2051	20	44472-2052	20	44472-2053	20
44472-2250	22	44472-2251	22	44472-2252	22	44472-2253	22
44472-2450	24	44472-2451	24	44472-2452	24	44472-2453	24

WITHOUT PEGS

PLATING:	I (SEE NOTE 2)	PLATING:	I (SEE NOTE 2)	PLATING:	I (SEE NOTE 2)	PLATING:	I (SEE NOTE 2)
DRAINS:	WITHOUT DRAIN HOLES	DRAINS:	WITHOUT DRAIN HOLES	DRAINS:	WITH DRAIN HOLES	DRAINS:	WITH DRAIN HOLES
PEGS:	WITHOUT PEGS	PEGS:	WITHOUT PEGS	PEGS:	WITHOUT PEGS	PEGS:	WITHOUT PEGS
MAT'L:	94V-2 [NATURAL]	MAT'L:	94V-0 [NATURAL]	MAT'L:	94V-2 [NATURAL]	MAT'L:	94V-0 [NATURAL]
PACKAGING:	PK-5566-001	PACKAGING:	PK-5566-001	PACKAGING:	PK-5566-001	PACKAGING:	PK-5566-001

ITEM NO.	HOUSING NO.	CKTS	ITEM NO.	CKTS	ITEM NO.	CKTS	ITEM NO.	CKTS
44472-0254		2	44472-0255	2	44472-0256	2	44472-0257	
44472-0454		4	44472-0455	4	44472-0456	4	44472-0457	
44472-0654		6	44472-0655	6	44472-0656	6	44472-0657	
44472-0854		8	44472-0855	8	44472-0856	8	44472-0857	
44472-1054		10	44472-1055	10	44472-1056	10	44472-1057	
44472-1254		12	44472-1255	12	44472-1256	12	44472-1257	
44472-1454		14	44472-1455	14	44472-1456	14	44472-1457	
44472-1654		16	44472-1655	16	44472-1656	16	44472-1657	
44472-1854		18	44472-1855	18	44472-1856	18	44472-1857	
44472-2054		20	44472-2055	20	44472-2056	20	44472-2057	
44472-2254		22	44472-2255	22	44472-2256	22	44472-2257	
44472-2454		24	44472-2455	24	44472-2456	24	44472-2457	

* ITEMS PRECEDED BY AN *X* ARE NOT AVAILABLE.

SEE SHEET 1 EC NO: UCP2012-1560 DRAWN: NGUYEN 2012/01/05 CHKD: BELL 2012/01/05 APPR: FSM/TH 2012/02/02 M	QUALITY SYMBOLS ∇=0 ∇=0 ∇=0	GENERAL TOLERANCES (UNLESS SPECIFIED)		DIMENSION STYLE IN/MM		SCALE 1:1	DESIGN UNITS METRIC	THIRD ANGLE PROJECTION
		4 PLACES ± --- ± --- 3 PLACES ± --- ±.015 2 PLACES ± 0.38 ±.020 1 PLACE ± 0.50 ± ---	mm INCH	DRAWN BY GEP	DATE 1994/07/25	TITLE MINI-FIT VERT HDR ASSY W & W/O PEGS/DRAIN HOLES SINGLE AND DUAL ROW		
		ANGULAR ±1/2°		CHECKED BY RJF	DATE 1994/07/25	MOLEX INCORPORATED		
		DRAFT WHERE APPLICABLE MUST REMAIN WITHIN DIMENSIONS		APPROVED BY RJF	DATE 1994/07/25	MATERIAL NO. SEE CHARTS	DOCUMENT NO. SDA-44472-****	
THIS DRAWING CONTAINS INFORMATION THAT IS PROPRIETARY TO MOLEX INCORPORATED AND SHOULD NOT BE USED WITHOUT WRITTEN PERMISSION						SHEET NO. 3 OF 8		

DUAL ROW PART NUMBERS WITH SELECT GOLD PLATING

WITH PEGS

PLATING:		2 (SEE NOTE 2)		PLATING:		2 (SEE NOTE 2)		PLATING:		2 (SEE NOTE 2)	
DRAINS:		WITHOUT DRAIN HOLES		DRAINS:		WITHOUT DRAIN HOLES		DRAINS:		WITH DRAIN HOLES	
PEGS:		WITH PEGS		PEGS:		WITH PEGS		PEGS:		WITH PEGS	
MAT'L:		94V-2 [NATURAL]		MAT'L:		94V-0 [NATURAL]		MAT'L:		94V-0 [NATURAL]	
PACKAGING:		PK-5566-001		PACKAGING:		PK-5566-001		PACKAGING:		PK-5566-001	
	ITEM NO.		CKTS		ITEM NO.		CKTS		ITEM NO.		CKTS
X	44472-0260		2	X	44472-0261		2	X	44472-0262		2
X	44472-0460		4	X	44472-0461		4	X	44472-0462		4
X	44472-0660		6	X	44472-0661		6	X	44472-0662		6
X	44472-0860		8	X	44472-0861		8	X	44472-0862		8
X	44472-1060		10	X	44472-1061		10	X	44472-1062		10
X	44472-1260		12	X	44472-1261		12	X	44472-1262		12
X	44472-1460		14	X	44472-1461		14	X	44472-1462		14
X	44472-1660		16	X	44472-1661		16	X	44472-1662		16
X	44472-1860		18	X	44472-1861		18	X	44472-1862		18
X	44472-2060		20	X	44472-2061		20	X	44472-2062		20
X	44472-2260		22	X	44472-2261		22	X	44472-2262		22
X	44472-2460		24	X	44472-2461		24	X	44472-2462		24

WITHOUT PEGS

PLATING:		2 (SEE NOTE 2)		PLATING:		2 (SEE NOTE 2)		PLATING:		2 (SEE NOTE 2)	
DRAINS:		WITHOUT DRAIN HOLES		DRAINS:		WITHOUT DRAIN HOLES		DRAINS:		WITH DRAIN HOLES	
PEGS:		WITHOUT PEGS		PEGS:		WITHOUT PEGS		PEGS:		WITHOUT PEGS	
MAT'L:		94V-2 [NATURAL]		MAT'L:		94V-0 [NATURAL]		MAT'L:		94V-0 [NATURAL]	
PACKAGING:		PK-5566-001		PACKAGING:		PK-5566-001		PACKAGING:		PK-5566-001	
	ITEM NO.		CKTS		ITEM NO.		CKTS		ITEM NO.		CKTS
X	44472-0264		2	X	44472-0265		2	X	44472-0267		2
X	44472-0464		4	X	44472-0465		4	X	44472-0467		4
X	44472-0664		6	X	44472-0665		6	X	44472-0667		6
X	44472-0864		8	X	44472-0865		8	X	44472-0867		8
X	44472-1064		10	X	44472-1065		10	X	44472-1067		10
X	44472-1264		12	X	44472-1265		12	X	44472-1267		12
X	44472-1464		14	X	44472-1465		14	X	44472-1467		14
X	44472-1664		16	X	44472-1665		16	X	44472-1667		16
X	44472-1864		18	X	44472-1865		18	X	44472-1867		18
X	44472-2064		20	X	44472-2065		20	X	44472-2067		20
X	44472-2264		22	X	44472-2265		22	X	44472-2267		22
X	44472-2464		24	X	44472-2465		24	X	44472-2467		24

* ITEMS PRECEDED BY A "X" ARE NOT AVAILABLE.

SEE SHEET 1 EC NO: UCP2012-1560 DRAWN: NGUYEN 2012/01/05 CHKD: BELM 2012/01/05 APPR: FSM/TH 2012/02/02 REV: M	QUALITY SYMBOLS	GENERAL TOLERANCES (UNLESS SPECIFIED)	DIMENSION STYLE IN/MM	SCALE 1:1	DESIGN UNITS METRIC	THIRD ANGLE PROJECTION
	▽=0	mm INCH	DRAWN BY DATE GEP 1994/07/25	TITLE MINI-FIT VERT HDR ASSY W & W/O PEGS/DRAIN HOLES SINGLE AND DUAL ROW		
	▽=0	4 PLACES ± --- ± ---	CHECKED BY DATE R/JF 1994/07/25	MOLEX INCORPORATED		
	▽=0	3 PLACES ± --- ±.015	APPROVED BY DATE R/JF 1994/07/25	MATERIAL NO. SEE CHARTS	DOCUMENT NO. SDA-44472-****	SHEET NO. 4 OF 8
		2 PLACES ± 0.38 ±.020	DRAFT WHERE APPLICABLE MUST REMAIN WITHIN DIMENSIONS			
		1 PLACE ± 0.50 ± ---	THIS DRAWING CONTAINS INFORMATION THAT IS PROPRIETARY TO MOLEX INCORPORATED AND SHOULD NOT BE USED WITHOUT WRITTEN PERMISSION			
		ANGULAR ±1/2°				

DUAL ROW PART NUMBERS WITH WIDE LATCH OPTION

WITH PEGS

PLATING:	1 (SEE NOTE 2)
DRAINS:	WITH DRAIN HOLES
PEGS:	WITH PEGS
MAT'L:	94V-2 [NATURAL]
PACKAGING:	PK-5566-001

	ITEM NO.	CKTS
X	44472-0270	2
X	44472-0470	4
X	44472-0670	6
X	44472-0870	8
X	44472-1070	10
X	44472-1270	12
X	44472-1470	14
X	44472-1670	16
X	44472-1870	18
X	44472-2070	20
X	44472-2270	22
	44472-2470	24

* ITEMS PRECEDED BY *X* ARE NOT AVAILABLE.

SEE SHEET 1 EC NO: UCP2012-1560 DRW: NGUYEN 2012/01/05 CHKD: BELL 2012/01/05 APPR: F. SMITH 2012/02/02	QUALITY SYMBOLS	GENERAL TOLERANCES (UNLESS SPECIFIED)	DIMENSION STYLE	SCALE	DESIGN UNITS	THIRD ANGLE PROJECTION
	▽=0	mm INCH	IN/MM	1:1	METRIC	
	▽=0	4 PLACES ± --- ± ---	DRAWN BY DATE	TITLE		
	▽=0	3 PLACES ± --- ±.015	GEP 1994/07/25	MINI-FIT VERT HDR ASSY W & W/O PEGS/DRAIN HOLES SINGLE AND DUAL ROW		
	2 PLACES ± 0.38 ±.020	CHECKED BY DATE	MOLEX INCORPORATED			
	1 PLACE ± 0.50 ± ---	RJF 1994/07/25	MATERIAL NO. SDA-44472-****			
	ANGULAR ±1/2°	APPROVED BY DATE	DOCUMENT NO. 5 OF 8			
		RJF 1994/07/25	SIZE C THIS DRAWING CONTAINS INFORMATION THAT IS PROPRIETARY TO MOLEX INCORPORATED AND SHOULD NOT BE USED WITHOUT WRITTEN PERMISSION			

SINGLE ROW PART NUMBERS WITH PEGS

MATTE TIN PLATING

PLATING:	1 (SEE NOTE 2)	PLATING:	1 (SEE NOTE 2)	PLATING:	1 (SEE NOTE 2)	PLATING:	1 (SEE NOTE 2)
DRAINS:	WITH DRAIN HOLES	DRAINS:	WITH DRAIN HOLES	DRAINS:	WITHOUT DRAIN HOLES	DRAINS:	WITHOUT DRAIN HOLES
PEGS:	WITH PEGS	PEGS:	WITH PEGS	PEGS:	WITH PEGS	PEGS:	WITH PEGS
MAT'L:	94V-2 [NATURAL]	MAT'L:	94V-0 [NATURAL]	MAT'L:	94V-2 [NATURAL]	MAT'L:	94V-0 [NATURAL]
PACKAGING:	PK-5566-002	PACKAGING:	PK-5566-002	PACKAGING:	PK-5566-002	PACKAGING:	PK-5566-002
ITEM NO.		CKTS		ITEM NO.		CKTS	
	44472-0401	4	X	44472-0402		4	X
X	44472-0501	5		44472-0502		5	X
X	44472-0601	6	X	44472-0602		6	X
X	44472-0701	7	X	44472-0702		7	X
X	44472-0801	8	X	44472-0802		8	X
X	44472-0901	9	X	44472-0902		9	X
X	44472-1001	10	X	44472-1002		10	X
X	44472-1101	11	X	44472-1102		11	X
X	44472-1201	12	X	44472-1202		12	X

GOLD PLATING

PLATING:		PLATING:		PLATING:	2 (SEE NOTE 2)	PLATING:	2 (SEE NOTE 2)
DRAINS:		DRAINS:		DRAINS:	WITHOUT DRAIN HOLE	DRAINS:	WITHOUT DRAIN HOLES
PEGS:		PEGS:		PEGS:	WITH PEGS	PEGS:	WITH PEGS
MAT'L:		MAT'L:		MAT'L:	94V-2 [NATURAL]	MAT'L:	94V-0 [NATURAL]
PACKAGING:		PACKAGING:		PACKAGING:	PK-5566-002	PACKAGING:	PK-5566-002
ITEM NO.		CKTS		ITEM NO.		CKTS	
		4		44472-0407		4	X
		5		44472-0507		5	X
		6		44472-0607		6	X
		7		44472-0707		7	X
		8		44472-0807		8	X
		9		44472-0907		9	X
		10		44472-1007		10	X
		11		44472-1107		11	X
		12		44472-1207		12	X

SEE SHEET 1 EC NO: UCP2012-1560 DRAWN: NGUYEN 2012/01/05 CHKD: BELLE 2012/01/05 APPR: FSMITH 2012/02/02	QUALITY SYMBOLS	GENERAL TOLERANCES (UNLESS SPECIFIED)	DIMENSION STYLE	SCALE	DESIGN UNITS	THIRD ANGLE PROJECTION
	▽=0	mm INCH	IN/MM	1:1	METRIC	
	▽=0	4 PLACES ± --- ± ---	DRAWN BY DATE	TITLE		
	▽=0	3 PLACES ± --- ±.015	GEP 1994/07/25	MINI-FIT VERT HDR ASSY W & W/O PEGS/DRAIN HOLES SINGLE AND DUAL ROW		
		2 PLACES ± 0.38 ±.020	CHECKED BY DATE	MOLEX MOLEX INCORPORATED		
	1 PLACE ± 0.50 ± ---	RJF 1994/07/25	SDA-44472-****			
	ANGULAR ±1/2°	APPROVED BY DATE	SHEET NO.			
		RJF 1994/07/25	6 OF 8			
		MATERIAL NO.	THIS DRAWING CONTAINS INFORMATION THAT IS PROPRIETARY TO MOLEX INCORPORATED AND SHOULD NOT BE USED WITHOUT WRITTEN PERMISSION			
		SEE CHART				

DUAL ROW PART NUMBERS 1 PEG REMOVED

PLATING:	I (SEE NOTE 2)	PLATING:	I (SEE NOTE 2)	PLATING:		PLATING:		
DRAINS:	WITHOUT DRAIN HOLES	DRAINS:	WITH DRAIN HOLES	DRAINS:		DRAINS:		
PEGS:	PEG #1 REMOVED	PEGS:	PEG #1 REMOVED	PEGS:	PEG #1 REMOVED	PEGS:	PEG #1 REMOVED	
MAT'L:	92V-2 (NATURAL)	MAT'L:	92V-2 (NATURAL)	MAT'L:		MAT'L:		
PACKAGING:	PK-5566-001	PACKAGING:	PK-5566-001	PACKAGING:		PACKAGING:		
X	ITEM NO.	CKTS	X	ITEM NO.	CKTS	X	ITEM NO.	CKTS
X	44472-0273	2	X	44472-0274	2			2
X	44472-0473	4	X	44472-0474	4			4
X	44472-0673	6	X	44472-0674	6			6
X	44472-0873	8	X	44472-0874	8			8
X	44472-1073	10	X	44472-1074	10			10
X	44472-1273	12	X	44472-1274	12			12
X	44472-1473	14	X	44472-1474	14			14
X	44472-1673	16	X	44472-1674	16			16
X	44472-1873	18	X	44472-1874	18			18
	44472-2073	20		44472-2074	20			20
X	44472-2273	22	X	44472-2274	22			22
X	44472-2473	24	X	44472-2474	24			24

PLATING:	I (SEE NOTE 2)	PLATING:	I (SEE NOTE 2)	PLATING:		PLATING:		
DRAINS:	WITHOUT DRAIN HOLES	DRAINS:	WITH DRAIN HOLES	DRAINS:		DRAINS:		
PEGS:	PEG #2 REMOVED	PEGS:	PEG #2 REMOVED	PEGS:	PEG #2 REMOVED	PEGS:	PEG #2 REMOVED	
MAT'L:	92V-2 (NATURAL)	MAT'L:	92V-2 (NATURAL)	MAT'L:		MAT'L:		
PACKAGING:	PK-5566-001	PACKAGING:	PK-5566-001	PACKAGING:		PACKAGING:		
X	ITEM NO.	CKTS	X	ITEM NO.	CKTS	X	ITEM NO.	CKTS
X	44472-0277	2	X	44472-0278	2			2
X	44472-0477	4	X	44472-0478	4			4
X	44472-0677	6	X	44472-0678	6			6
X	44472-0877	8	X	44472-0878	8			8
X	44472-1077	10	X	44472-1078	10			10
X	44472-1277	12	X	44472-1278	12			12
X	44472-1477	14	X	44472-1478	14			14
X	44472-1677	16	X	44472-1678	16			16
X	44472-1877	18	X	44472-1878	18			18
	44472-2077	20		44472-2078	20			20
X	44472-2277	22	X	44472-2278	22			22
X	44472-2477	24	X	44472-2478	24			24

* ITEMS PRECEDED BY AN 'X' ARE NOT AVAILABLE

SEE SHEET 1 EC NO: UCP2012-1560 DRAWN: NGUYEN 2012/01/05 CHKD: J.BELL 2012/01/05 APPR: F.S.MITH 2012/02/02	QUALITY SYMBOLS ∇=0 ∇=0 ∇=0	GENERAL TOLERANCES (UNLESS SPECIFIED)		DIMENSION STYLE IN/MM		SCALE 1:1	DESIGN UNITS METRIC	THIRD ANGLE PROJECTION 	
				mm	INCH	DRAWN BY GEP	DATE 1994/07/25		TITLE MINI-FIT VERT HDR ASSY W & W/O PEGS/DRAIN HOLES SINGLE AND DUAL ROW
				4 PLACES ± ---	± ---	CHECKED BY RJF	DATE 1994/07/25		
				3 PLACES ± ---	±.015	APPROVED BY RJF	DATE 1994/07/25		MOLEX INCORPORATED DOCUMENT NO. SDA-44472-****
		2 PLACES ± 0.38	±.020	MATERIAL NO.		SHEET NO. 7 OF 8			
		1 PLACE ± 0.50	± ---	DRAFT WHERE APPLICABLE MUST REMAIN WITHIN DIMENSIONS		SEE CHART THIS DRAWING CONTAINS INFORMATION THAT IS PROPRIETARY TO MOLEX INCORPORATED AND SHOULD NOT BE USED WITHOUT WRITTEN PERMISSION			
		ANGULAR ±1/2°		SIZE					

DUAL ROW PART NUMBERS WITH MATTE TIN PLATING
(DO NOT USE FOR NEW APPLICATIONS)

WITH PEGS			
PLATING:	1 (SEE NOTE 2)		
DRAINS:	WITH DRAIN HOLES		
PEGS:	WITH PEGS		
MAT'L:	94V-0 [NATURAL]		
PACKAGING:			
	ITEM NO.		CKTS
	44472-0283	0	2
	44472-0483	0	4
	44472-0683	0	6
	44472-0883		8
	44472-1083	0	10
	44472-1283	0	12
	44472-1483	0	14
	44472-1683	0	16
	44472-1883	0	18
	44472-2083		20
	44472-2283		22
	44472-2483	0	24

0 = OBSOLETE

SEE SHEET 1 EC NO: UCP2012-1560 DRAWN: NGUYEN 2012/01/05 CHKD: BELL 2012/01/05 APPR: F. SMITH 2012/02/02	QUALITY SYMBOLS ▽=0 ▽=0 ▽=0	GENERAL TOLERANCES (UNLESS SPECIFIED)		DIMENSION STYLE IN/MM		SCALE 1:1	DESIGN UNITS METRIC	THIRD ANGLE PROJECTION		
				mm	INCH	DRAWN BY GEP	DATE 1994/07/25	TITLE MINI-FIT VERT HDR ASSY W & W/O PEGS/DRAIN HOLES SINGLE AND DUAL ROW		
				4 PLACES ± ---	± ---	CHECKED BY R.J.F.	DATE 1994/07/25			
				3 PLACES ± ---	± .015	APPROVED BY R.J.F.		DATE 1994/07/25	MOLEX INCORPORATED DOCUMENT NO. SDA-44472-**** SHEET NO. 8 OF 8	
		2 PLACES ± 0.38	± .020	MATERIAL NO. SEE CHART						
		1 PLACE ± 0.50	± ---	DRAFT WHERE APPLICABLE MUST REMAIN WITHIN DIMENSIONS		THIS DRAWING CONTAINS INFORMATION THAT IS PROPRIETARY TO MOLEX INCORPORATED AND SHOULD NOT BE USED WITHOUT WRITTEN PERMISSION				
		ANGULAR ± 1/2°								