



Chipsmall Limited consists of a professional team with an average of over 10 year of expertise in the distribution of electronic components. Based in Hongkong, we have already established firm and mutual-benefit business relationships with customers from,Europe,America and south Asia,supplying obsolete and hard-to-find components to meet their specific needs.

With the principle of "Quality Parts,Customers Priority,Honest Operation,and Considerate Service",our business mainly focus on the distribution of electronic components. Line cards we deal with include Microchip,ALPS,ROHM,Xilinx,Pulse,ON,Everlight and Freescale. Main products comprise IC,Modules,Potentiometer,IC Socket,Relay,Connector.Our parts cover such applications as commercial,industrial, and automotives areas.

We are looking forward to setting up business relationship with you and hope to provide you with the best service and solution. Let us make a better world for our industry!



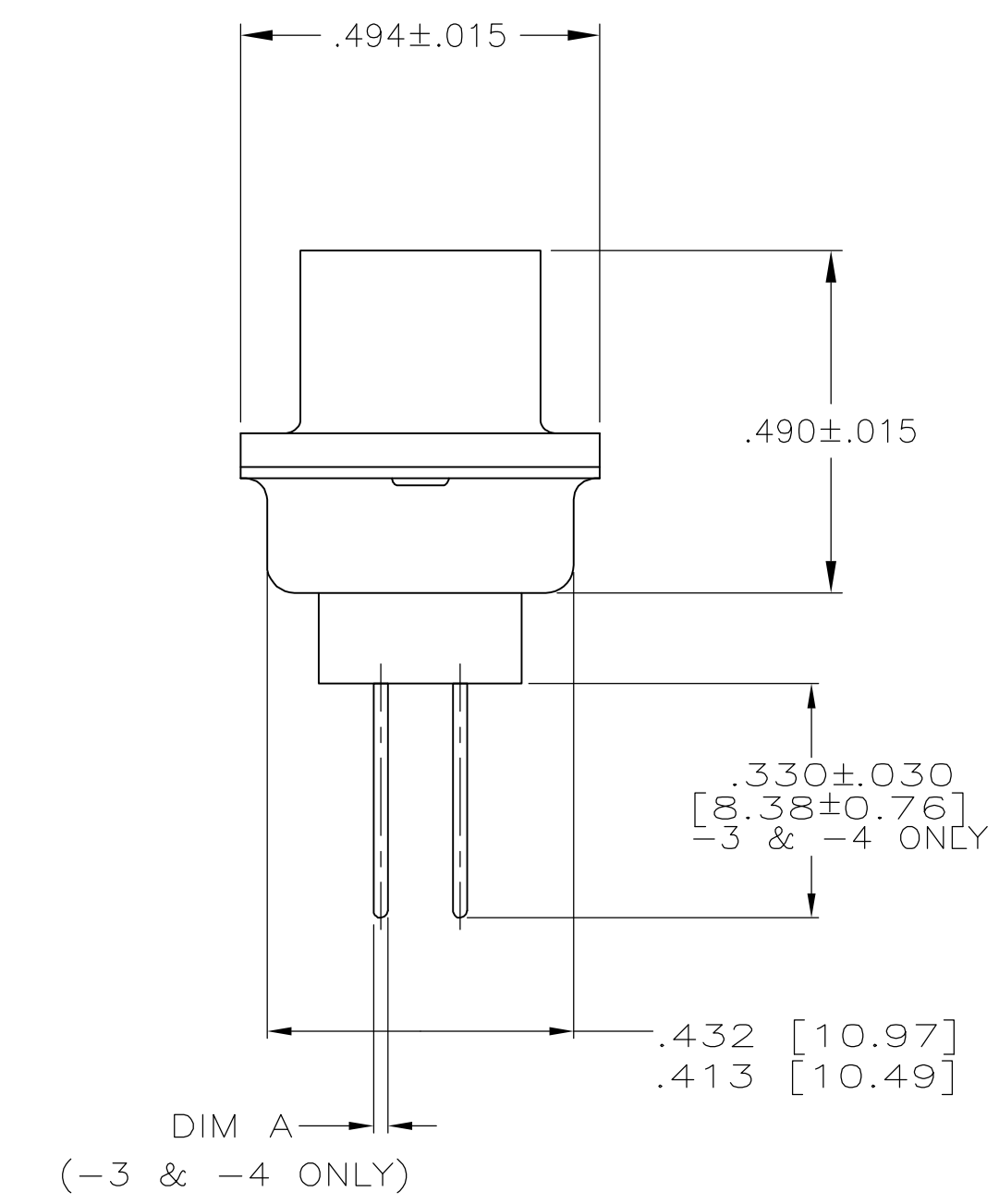
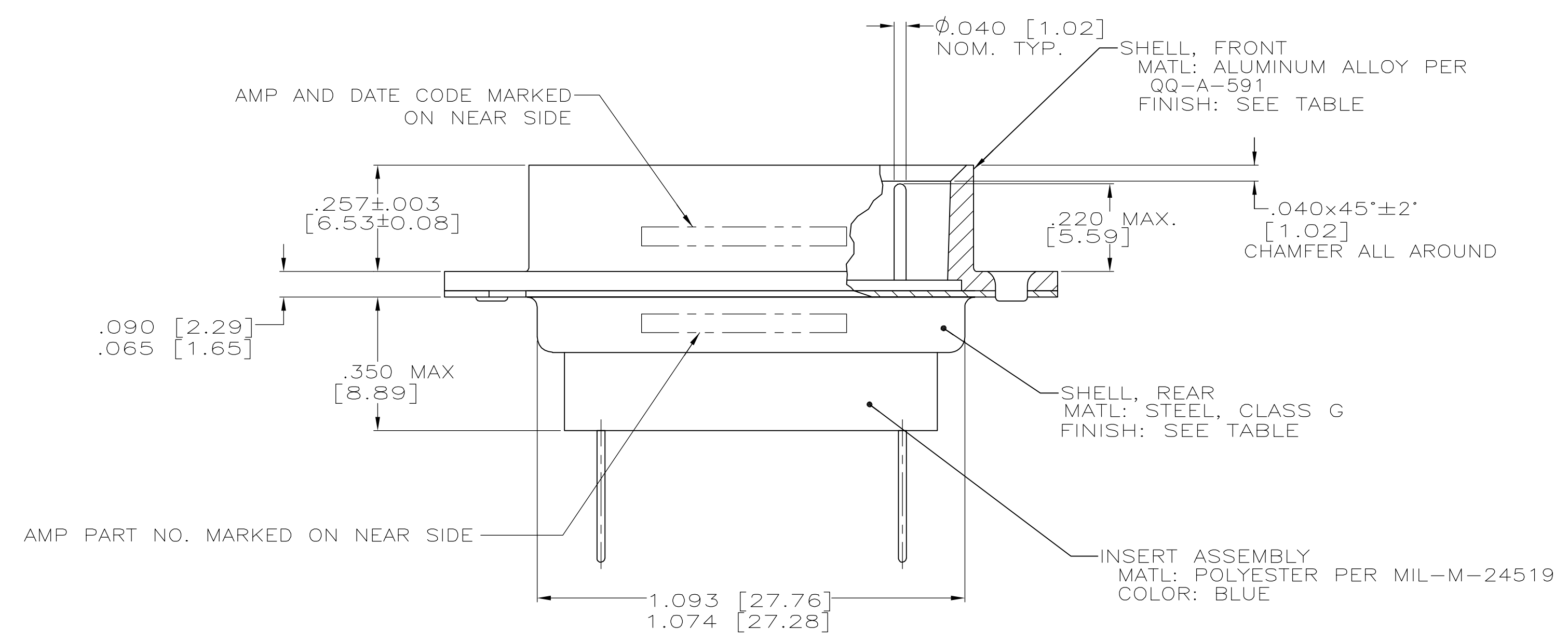
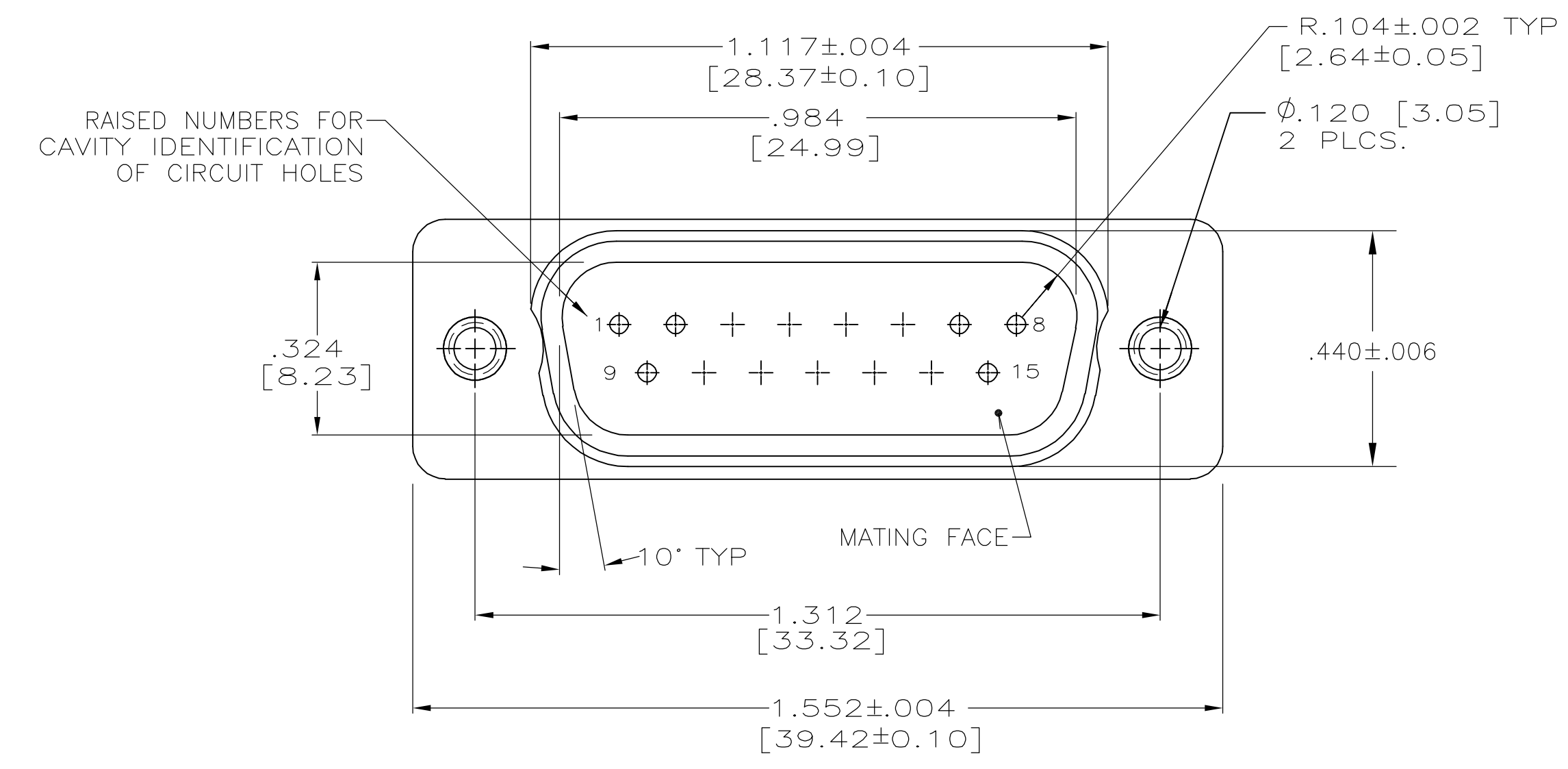
Contact us

Tel: +86-755-8981 8866 Fax: +86-755-8427 6832

Email & Skype: info@chipsmall.com Web: www.chipsmall.com

Address: A1208, Overseas Decoration Building, #122 Zhenhua RD., Futian, Shenzhen, China





- THIS PLUG WILL MATE WITH ANY 15 POSN. SIZE 2 RECEPTACLE IN AMPLIMITE SERIES.
- MAXIMUM WIRE INSULATION TO BE USED WITH THIS PLUG IS ϕ .068 [1.73]
- SST RETENTION CLIPS ARE INCLUDED IN INSERTS.
- THIS PLUG IS DESIGNED TO CONFORM TO THE LATEST ISSUE OF MIL-C-24308.
- 445006-1, -2 & 5--1 ARE SUPPLIED WITHOUT CONTACTS, 445006-3 & -4 SUPPLIED WITH CONTACTS.
- THIS PLUG WILL ACCEPT SIZE 20 DM PIN CONTACT M39029/64-369 OR ANY AMP SIZE 20 DF PIN CONTACT.
- FINISH: PLATED CADMIUM PER QQ-P-416, YELLOW CHROMATE.
- FINISH: TIN PLATED PER MIL-T-10727.
- FINISH: ZINC PLATED PER ASTM-B-633 .000200 MIN THK WITH SUPPLEMENTARY CHROMATE (Cr3+).

NO CONTACTS	-	9	9	5-445006-1
GOLD PER ASTM-B-488 OVER NICKEL PER QQ-N-290	.030 [0.76]	7	8	445006-4
GOLD PER ASTM-B-488 OVER COPPER PER AMS2410	.018 [0.46]	7	8	445006-3
NO CONTACTS	-	7	8	445006-2
NO CONTACTS	-	7	7	445006-1
CONTACT FINISH	DIM A REF	REAR SHELL PLATING	FRONT SHELL PLATING	PART NUMBER

THIS DRAWING IS A CONTROLLED DOCUMENT.

DIMENSIONS: INCHES	TOLERANCES UNLESS OTHERWISE SPECIFIED:	DIN C.C. THOMAS 9/18/98	Tyco Electronics Corporation Harrisburg, PA 17105-3608
0 PLC ± -	1 PLC ± -	9-18-98	
2 PLC ± -	3 PLC ± .005 [0.13]	J. NORTON 9-18-98	PLUG ASSY, AMPLIMITE, 15 POSN. SIZE 2, SERIES 109, BLINDMATE
4 PLC ± -	ANGLES ± -		
MATERIAL	FINISH	APVD	RESTRICTED TO
		APPLICATION SPEC	SIZE
		WEIGHT	CAGE CODE
		CUSTOMER DRAWING	DRAWING NO
			445006
		SCALE	SHEET
		4:1	1 OF 1
			REV