



Chipsmall Limited consists of a professional team with an average of over 10 year of expertise in the distribution of electronic components. Based in Hongkong, we have already established firm and mutual-benefit business relationships with customers from,Europe,America and south Asia,supplying obsolete and hard-to-find components to meet their specific needs.

With the principle of "Quality Parts,Customers Priority,Honest Operation,and Considerate Service",our business mainly focus on the distribution of electronic components. Line cards we deal with include Microchip,ALPS,ROHM,Xilinx,Pulse,ON,Everlight and Freescale. Main products comprise IC,Modules,Potentiometer,IC Socket,Relay,Connector.Our parts cover such applications as commercial,industrial, and automotives areas.

We are looking forward to setting up business relationship with you and hope to provide you with the best service and solution. Let us make a better world for our industry!



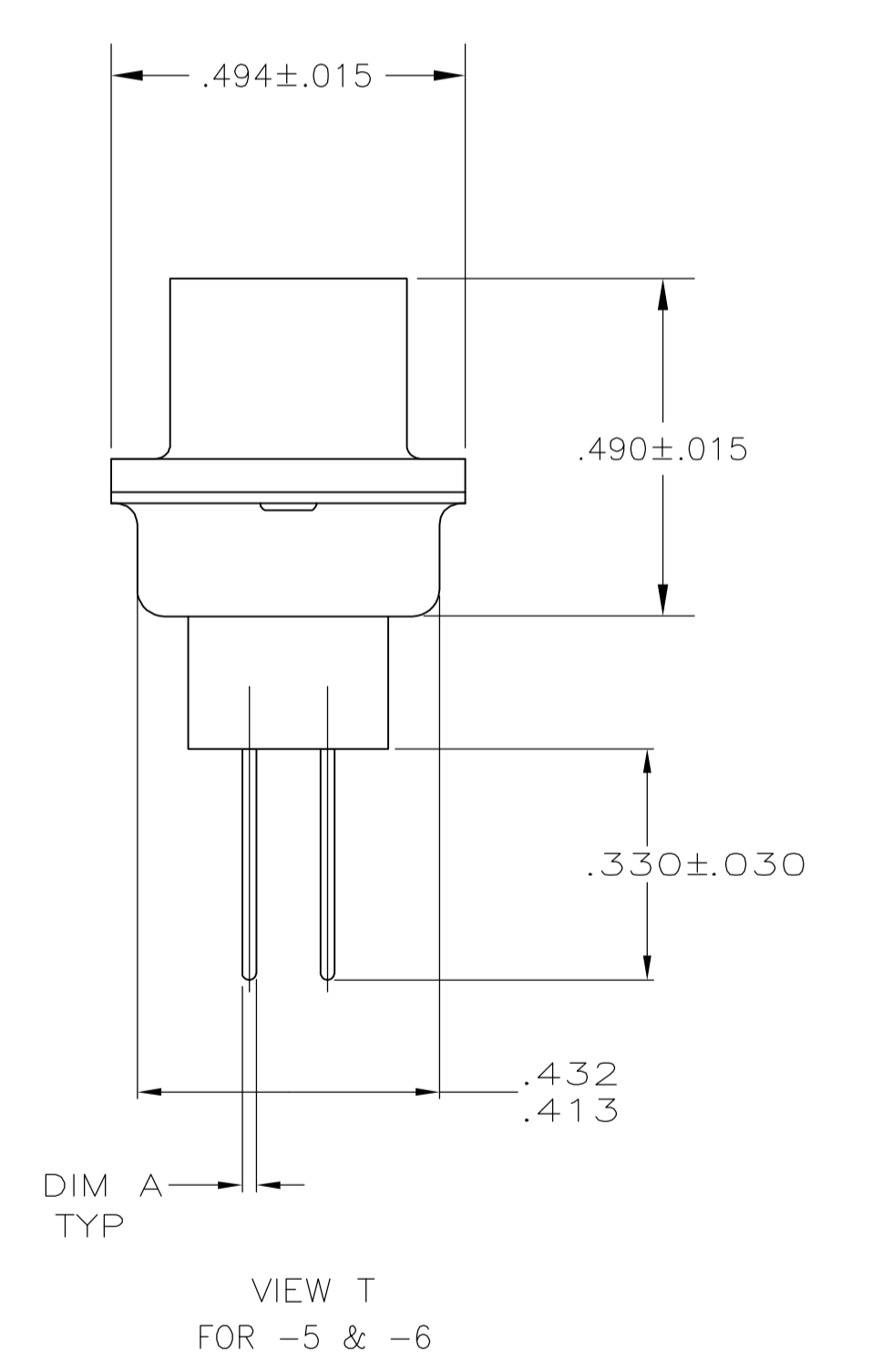
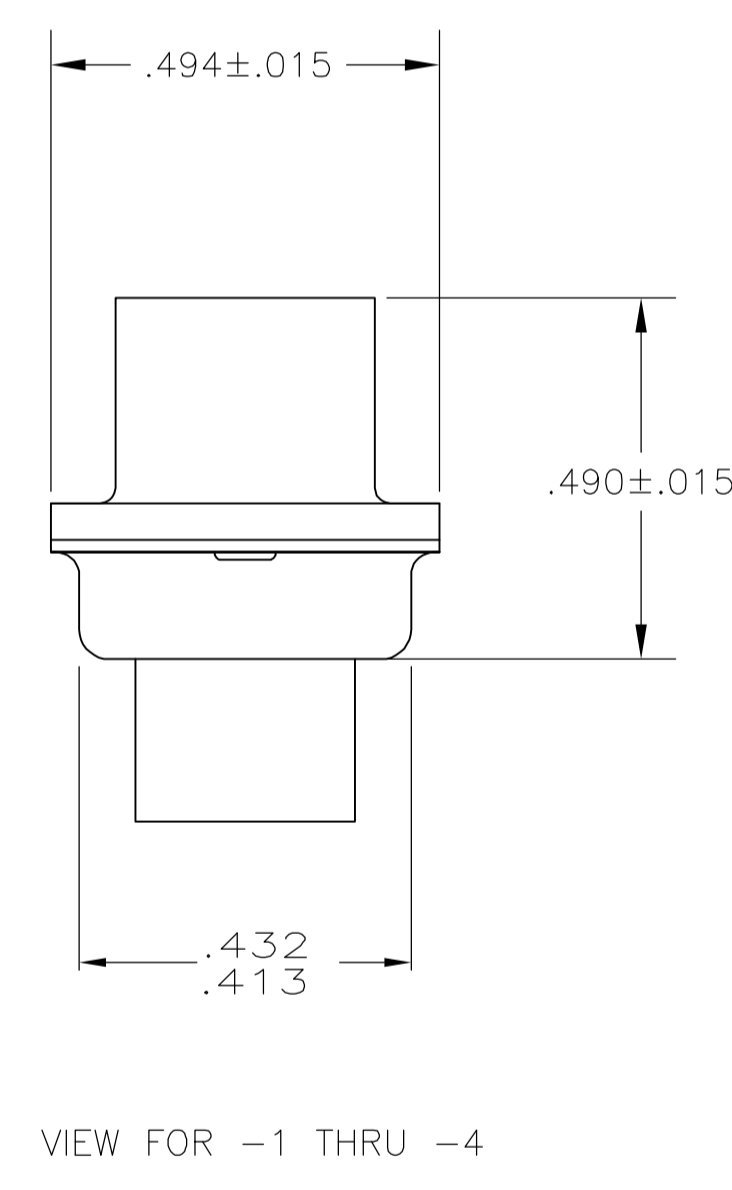
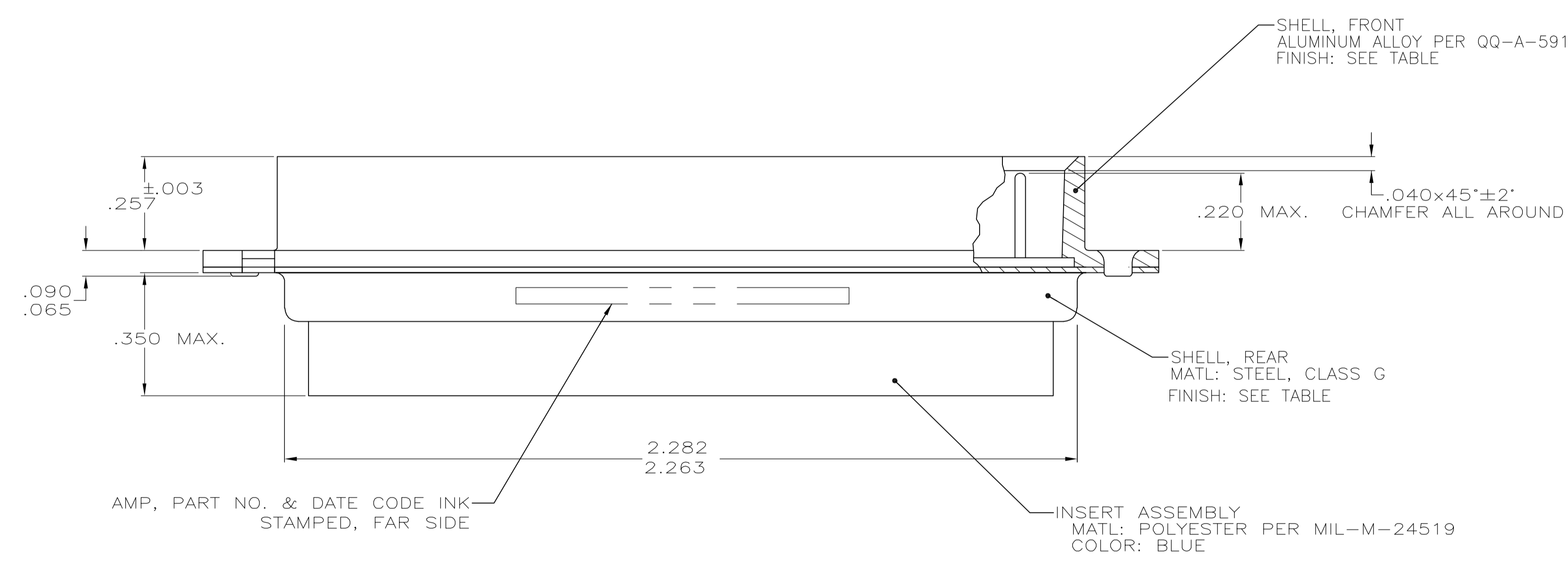
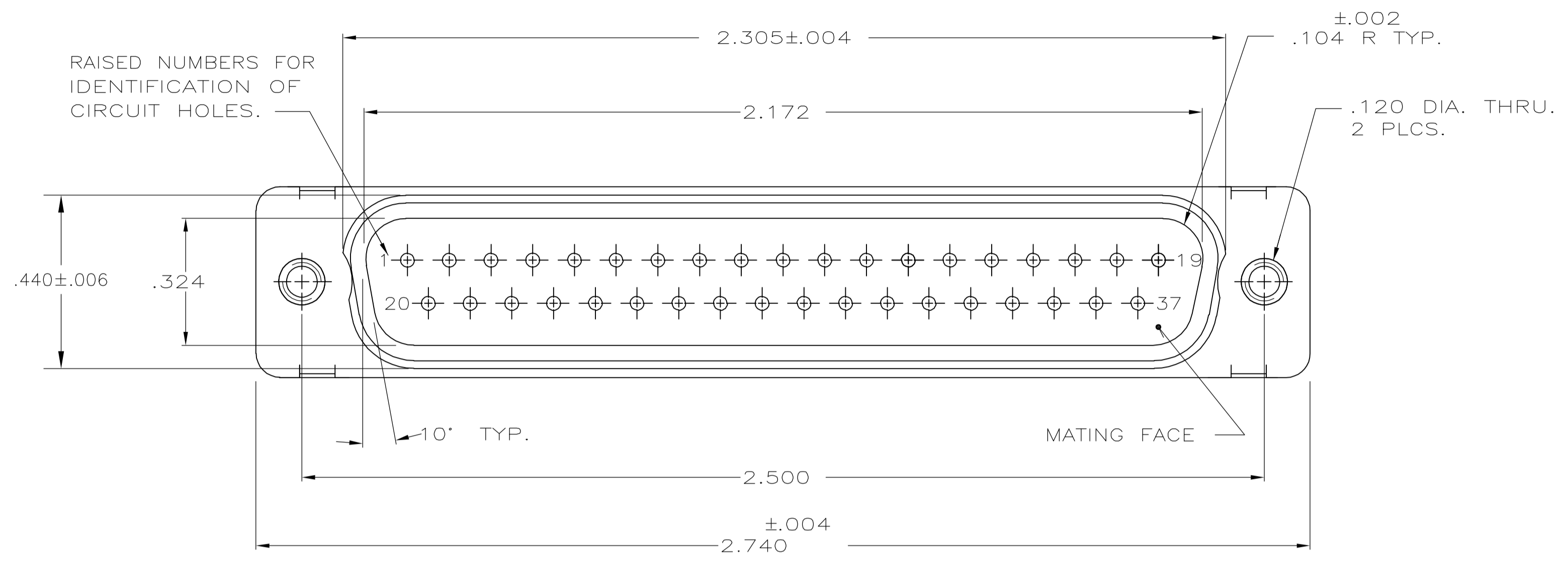
Contact us

Tel: +86-755-8981 8866 Fax: +86-755-8427 6832

Email & Skype: info@chipsmall.com Web: www.chipsmall.com

Address: A1208, Overseas Decoration Building, #122 Zhenhua RD., Futian, Shenzhen, China





- THIS PLUG WILL MATE WITH ANY 37 POSN., SIZE 4 RECEPTACLE IN AMPLIMITE SERIES.
- MAXIMUM WIRE INSULATION TO BE USED WITH THIS PLUG IS .068 DIA.
- SST RETENTION CLIPS ARE INCLUDED IN INSERTS.
- THIS PLUG IS DESIGNED TO CONFORM TO THE LATEST ISSUE OF MIL-C-24308.
- THE -1, -3 & 5--1 CONNECTORS ARE SUPPLIED WITHOUT CONTACTS. THE -2 AND -4 CONNECTORS ARE SUPPLIED WITH CONTACTS THAT ARE KIT PACKAGED. -5 AND -6 CONNECTORS ARE SUPPLIED WITH CONTACTS THAT ARE LOADED IN CONNECTOR
- THIS PLUG WILL ACCEPT SIZE 20 DM PIN CONTACT M39029/64-369 OR ANY AMP SIZE 20 DF PIN CONTACT.
- FINISH: CADMIUM PER QQ-P-416; YELLOW CHROMATE.
- FINISH: TIN PLATED PER MIL-T-10727 OVER COPPER PER MIL-C-14550.
- FINISH: ZINC PLATED PER ASTM-B-633 .000200 MIN THK WITH SUPPLEMENTARY CHROMATE (Cr3+).

PRELIMINARY NOT RELEASED FOR PRODUCTION	-	9	AS SHOWN	5-445008-1
PRELIMINARY NOT RELEASED FOR PRODUCTION	.030 REF	7	AS SHOWN IN VIEW T	445008-6
PRELIMINARY NOT RELEASED FOR PRODUCTION	.018 REF	7	AS SHOWN IN VIEW T	445008-5
PRELIMINARY NOT RELEASED FOR PRODUCTION	-	8	KIT WITH CONTACTS	445008-4
PRELIMINARY NOT RELEASED FOR PRODUCTION	-	8	AS SHOWN	445008-3
	-	7	KIT WITH CONTACTS	445008-2
	-	7	AS SHOWN	445008-1
	DIM A		SHELL FINISH	DESCRIPTION
				PART NUMBER

THIS DRAWING IS A CONTROLLED DOCUMENT.

DIMENSIONS: INCHES	TOLERANCES UNLESS OTHERWISE SPECIFIED:	DWG: S. GLATFELTER 10-17-85		Tyco Electronics Corporation Harrisburg, PA 17105-3608
0 PLC ± -	1 PLC ± -	CHK: F. BALLEW 10-17-85		NAME: F. BALLEW 10-17-85
2 PLC ± -	3 PLC ± .005	APP'D: F. BALLEW 10-17-85	PRODUCT SPEC	PLUG ASSEMBLY, AMPLIMITE 37 POSN, SIZE 4, SERIES 109, BLINDMATE
4 PLC ± -	ANGLES ± -	FINISH	APPLICATION SPEC	SIZE: A1 00779 C=445008
MATERIAL SEE CALLOUTS	FINISH SEE CALLOUTS	WEIGHT	RESTRICTED TO	CUSTOMER DRAWING SCALE: 4:1 SHEET 1 OF 1 REV M