



Chipsmall Limited consists of a professional team with an average of over 10 year of expertise in the distribution of electronic components. Based in Hongkong, we have already established firm and mutual-benefit business relationships with customers from,Europe,America and south Asia,supplying obsolete and hard-to-find components to meet their specific needs.

With the principle of "Quality Parts,Customers Priority,Honest Operation,and Considerate Service",our business mainly focus on the distribution of electronic components. Line cards we deal with include Microchip,ALPS,ROHM,Xilinx,Pulse,ON,Everlight and Freescale. Main products comprise IC,Modules,Potentiometer,IC Socket,Relay,Connector.Our parts cover such applications as commercial,industrial, and automotives areas.

We are looking forward to setting up business relationship with you and hope to provide you with the best service and solution. Let us make a better world for our industry!



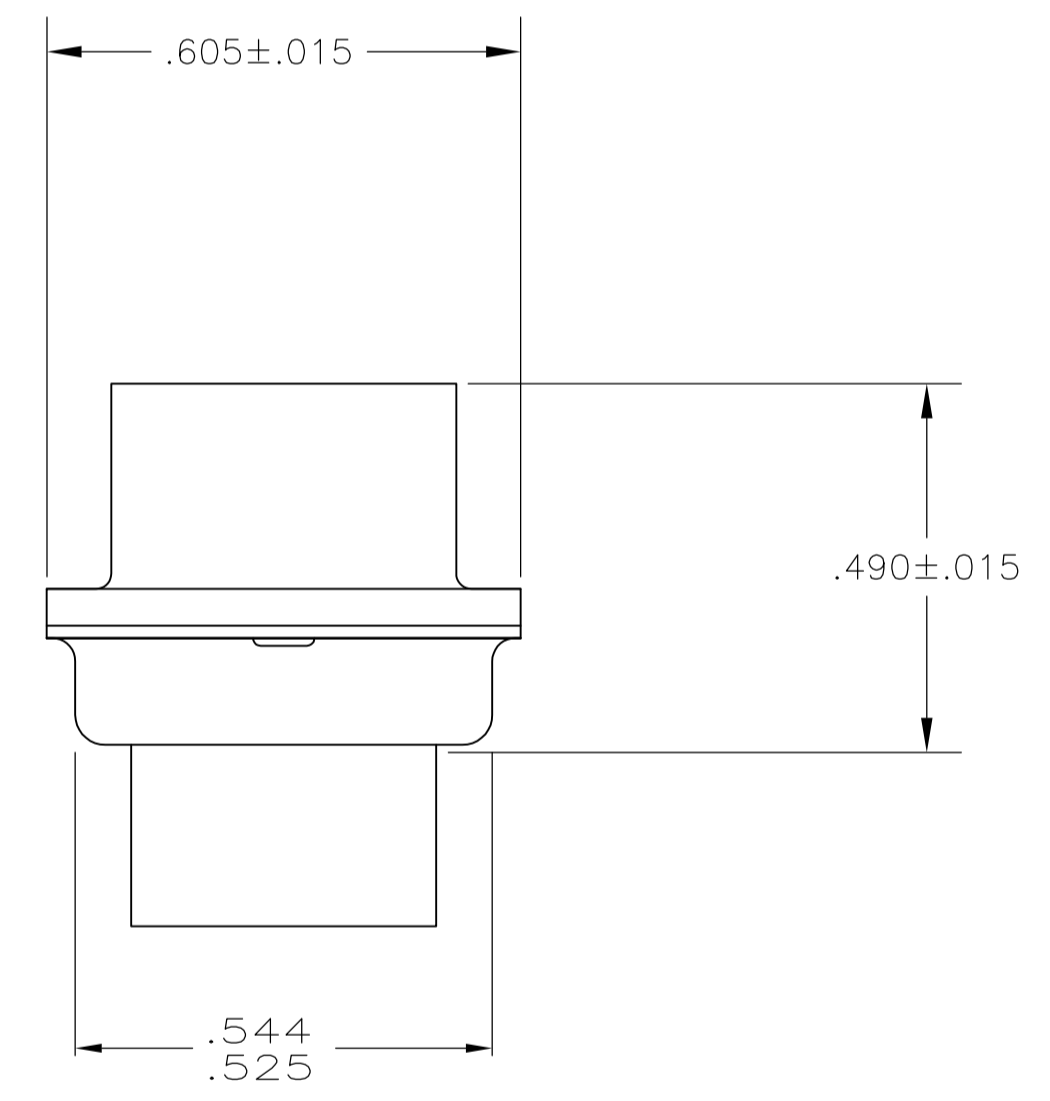
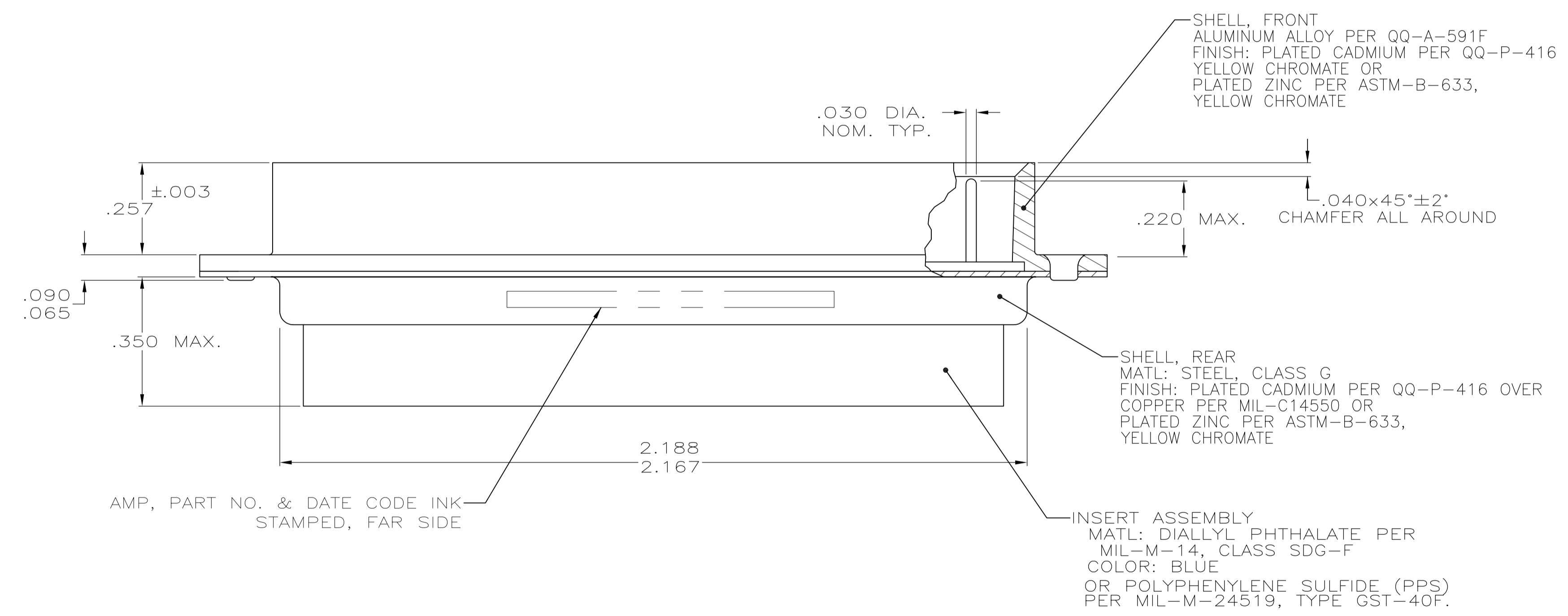
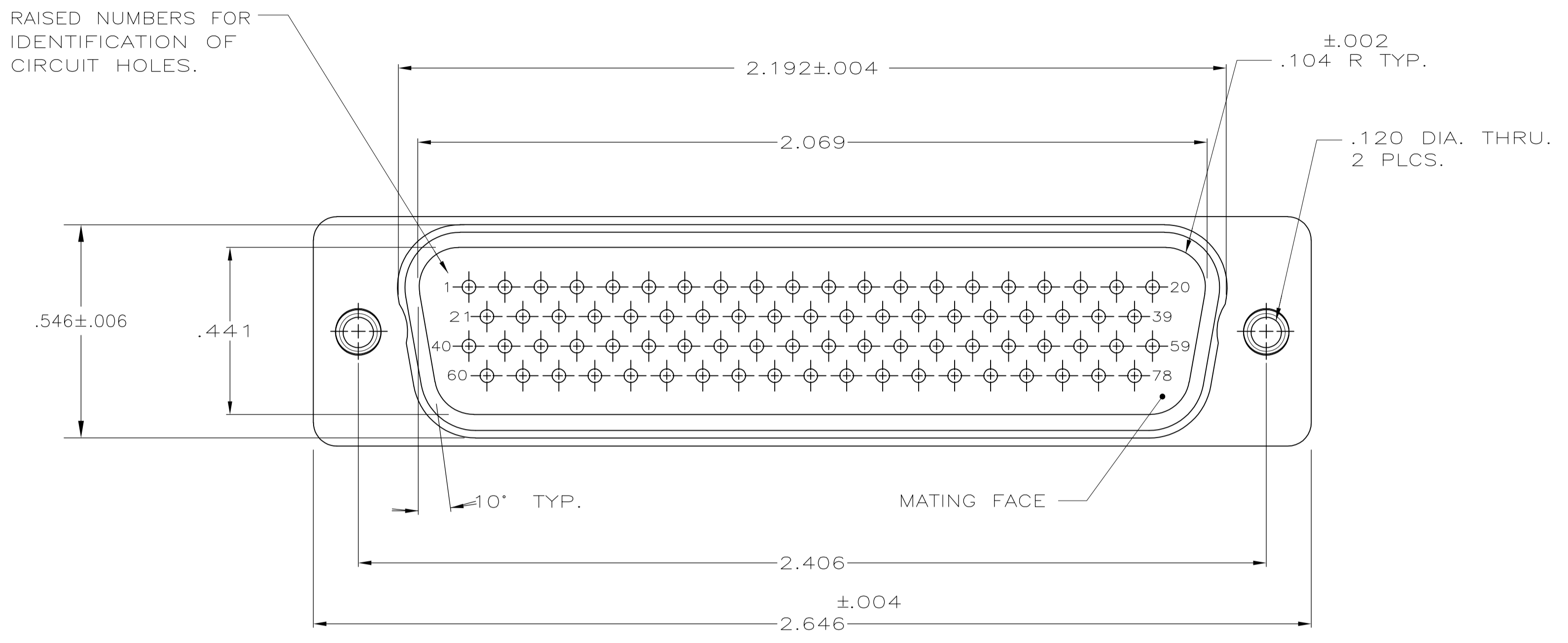
Contact us

Tel: +86-755-8981 8866 Fax: +86-755-8427 6832

Email & Skype: info@chipsmall.com Web: www.chipsmall.com

Address: A1208, Overseas Decoration Building, #122 Zhenhua RD., Futian, Shenzhen, China





1. THIS PLUG WILL MATE WITH ANY 78 POSN., SIZE 5 RECEPTACLE IN AMPLIMITE SERIES.
2. MAXIMUM WIRE INSULATION TO BE USED WITH THIS PLUG IS .054 DIA.
3. SST RETENTION CLIPS ARE INCLUDED IN INSERTS.
4. THIS PLUG IS DESIGNED TO CONFORM TO THE LATEST ISSUE OF MIL-C-24308.
5. CONNECTOR SUPPLIED WITHOUT CONTACTS; SHOWN FOR ILLUSTRATION ONLY.
6. THIS PLUG WILL ACCEPT SIZE 22 DM PIN CONTACT M39029/58-22-22D OR ANY AMP SIZE 22 DF PIN CONTACT.

UL/CSA DESIGNATION STAMPED IN THIS AREA.

PRELIMINARY NOT RELEASED FOR PRODUCTION	ZINC	AS SHOWN	445012-2
	CADIMUM	AS SHOWN	445012-1
	SHELL FINISH	DESCRIPTION	PART NUMBER

THIS DRAWING IS A CONTROLLED DOCUMENT.		DIN 10-13-92		D. POWERS	
DIMENSIONS: INCHES		TOLERANCES UNLESS OTHERWISE SPECIFIED:		CHK 10-13-92	
0 PLC ± -		1 PLC ± -		R. GILLMAN	
1 PLC ± -		2 PLC ± -		NAME	
2 PLC ± -		3 PLC ± .005		PRODUCT SPEC	
3 PLC ± -		4 PLC ± -		APPLICATION SPEC	
4 PLC ± -		ANGLES ± -		SIZE	
MATERIAL SEE CALLOUT		FINISH SEE CALLOUT		WEIGHT	
				A1 00779 445012	
				CUSTOMER DRAWING	
		SCALE 1:1		SHEET 1 OF 1	
				REV M	