



Chipsmall Limited consists of a professional team with an average of over 10 year of expertise in the distribution of electronic components. Based in Hongkong, we have already established firm and mutual-benefit business relationships with customers from,Europe,America and south Asia,supplying obsolete and hard-to-find components to meet their specific needs.

With the principle of “Quality Parts,Customers Priority,Honest Operation,and Considerate Service”,our business mainly focus on the distribution of electronic components. Line cards we deal with include Microchip,ALPS,ROHM,Xilinx,Pulse,ON,Everlight and Freescale. Main products comprise IC,Modules,Potentiometer,IC Socket,Relay,Connector.Our parts cover such applications as commercial,industrial, and automotives areas.

We are looking forward to setting up business relationship with you and hope to provide you with the best service and solution. Let us make a better world for our industry!



Contact us

Tel: +86-755-8981 8866 Fax: +86-755-8427 6832

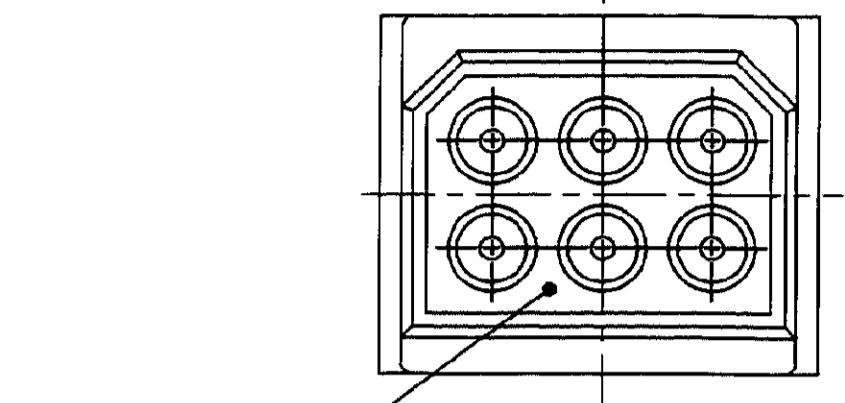
Email & Skype: info@chipsmall.com Web: www.chipsmall.com

Address: A1208, Overseas Decoration Building, #122 Zhenhua RD., Futian, Shenzhen, China

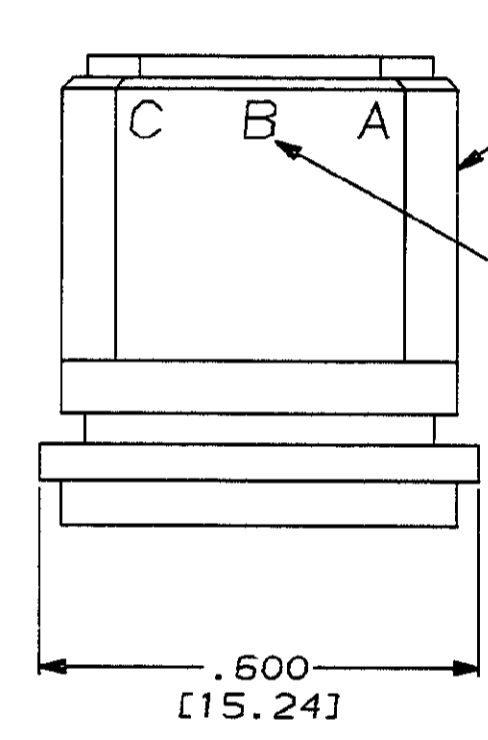
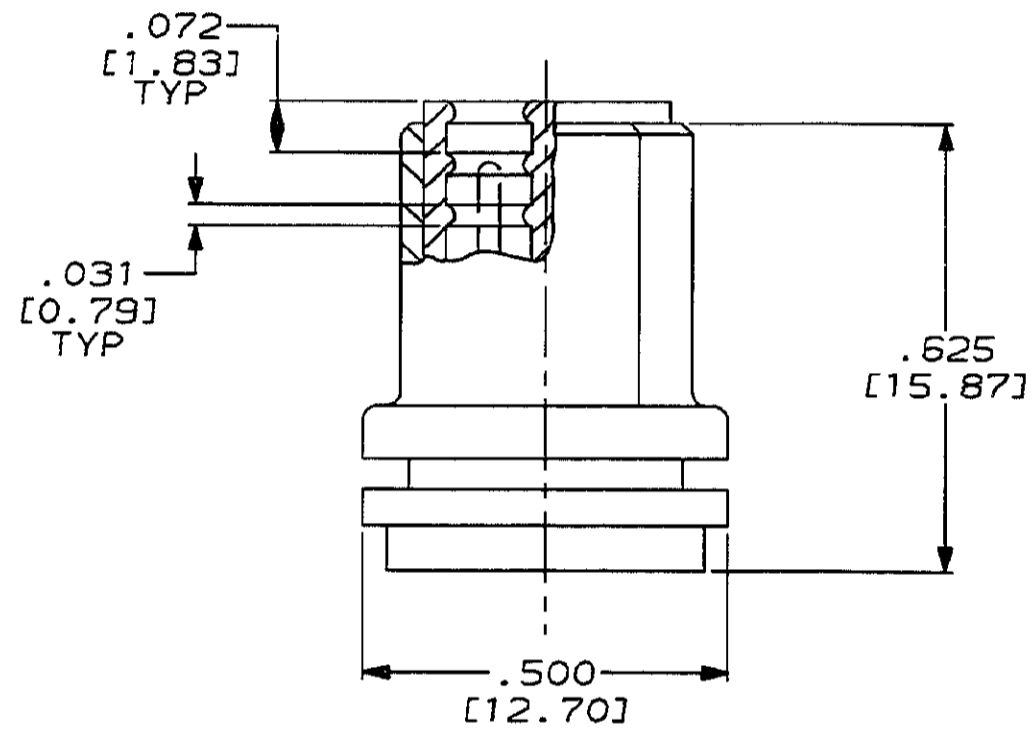
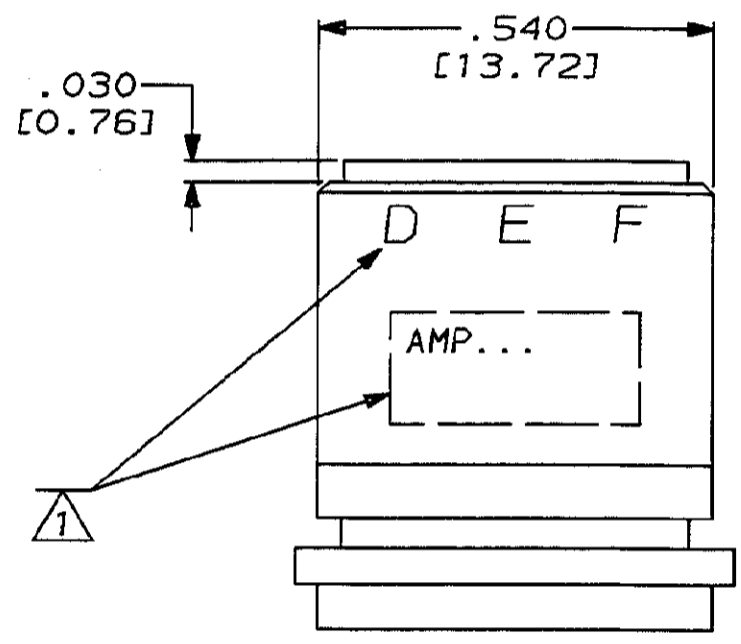


4 3
 DRAWING MADE IN THIRD ANGLE PROJECTION
 THIS DRAWING IS UNPUBLISHED. RELEASED FOR PUBLICATION , 19 .
 © COPYRIGHT 19 BY AMP INCORPORATED. ALL INTERNATIONAL RIGHTS RESERVED.

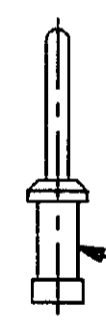
PROJ 4081 CODE	LOC DF	DIST SO	REVISIONS				DATE	APPD
			ZONE	LTR	DESCRIPTION			
			✓	B	REV & REDRAWN; DF-5994	CT	12-92	DE



SILICONE SLUG



HOUSING
 MAT'L: THERMOPLASTIC, GLASS
 FILLED POLYESTER
 COLOR: BLACK



PIN, 6 PLC
 MAT'L: BRONZE PER ASTM-B-140
 FINISH: GOLD PLATED PER MIL-G-45204 TYPE II
 OVER NICKEL PER QQ-N-290

⚠ MARKED PER MIL-STD-130.

THIS DRAWING IS A CONTROLLED DOCUMENT FOR AMP INCORPORATED. IT IS SUBJECT TO CHANGE AND THE CONTROLLING ENGINEERING ORGANIZATION SHOULD BE CONTACTED FOR THE LATEST REVISION.

445092-1
 PART NO.

DO NOT SCALE PRINT. UNLESS SPECIFIED DIMENSIONS IN INCHES [mm] TOLERANCES ON: 2 PLC DEC ± - 3 PLC DEC ± .005 [0.13] ANGLES ± -	DR 12-5-92 C.C.THOMAS	AMP Incorporated Harrisburg, PA 17105-3608		
	CHK 1-11-93 D.EABY			
MATERIAL SEE CALLOUTS	APPD 1-11-93 D.EABY	6 PIN SUBMINIATURE PLUG KIT, LGH		
FINISH SEE CALLOUTS	RLSE 1-11-93 C.C.THOMAS	SIZE	CAGE CODE	DRAWING NO
	PRODUCT SPEC	Ⓒ	00779	Ⓒ-445092
	APPLICATION SPEC	SCALE	4:1	SHEET 1 OF 1
	WEIGHT -	CUSTOMER DRAWING		

445092