



Chipsmall Limited consists of a professional team with an average of over 10 year of expertise in the distribution of electronic components. Based in Hongkong, we have already established firm and mutual-benefit business relationships with customers from,Europe,America and south Asia,supplying obsolete and hard-to-find components to meet their specific needs.

With the principle of “Quality Parts,Customers Priority,Honest Operation,and Considerate Service”,our business mainly focus on the distribution of electronic components. Line cards we deal with include Microchip,ALPS,ROHM,Xilinx,Pulse,ON,Everlight and Freescale. Main products comprise IC,Modules,Potentiometer,IC Socket,Relay,Connector.Our parts cover such applications as commercial,industrial, and automotives areas.

We are looking forward to setting up business relationship with you and hope to provide you with the best service and solution. Let us make a better world for our industry!



## Contact us

Tel: +86-755-8981 8866 Fax: +86-755-8427 6832

Email & Skype: info@chipsmall.com Web: www.chipsmall.com

Address: A1208, Overseas Decoration Building, #122 Zhenhua RD., Futian, Shenzhen, China





Conforms to EN60204-1, EN954-1, VDE 0113-1  
UL and C-UL listed, BG approved



H

safety monitoring relays

# SR101A

## Single-Channel Safety Monitoring Relay

- Power requirements—the SR101A will accept 24 VAC/DC, 115 VAC, or 230 VAC
- Inputs—a single N/C input channel, *not monitored*, is provided
- Outputs—the SR101A has two N/O outputs to route power to the coils of power contactors
- External Device Monitoring (EDM) is provided with a N/C loop between S11 and S21 on the SR101A
- Reset mode—an automatic reset mode is provided with the SR101A



**Go to the Engineering Guide**  
For in-depth information on safety standards and use.



H4

**USA** Tel. 1/888/510-4357  
**Canada** Tel. 1/800/221-7060

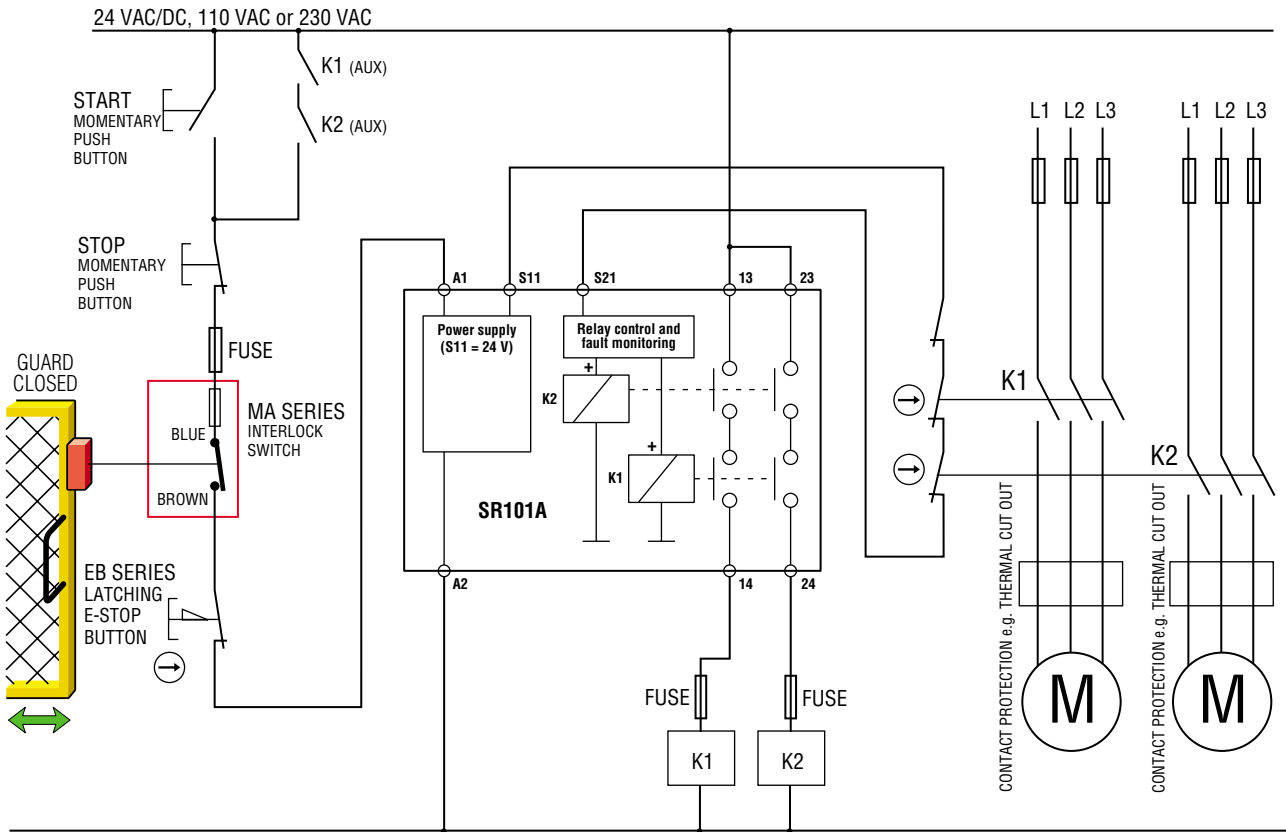
**UK** Tel. +44 (0) 1395-273-209  
**Europe** Tel. +49 (0) 5258-938-776

**Japan** Tel. +81-466-22-1132  
**China** Tel. +86-21-5836-7708  
**Singapore** Tel. +65-648-44-001



**For the Latest Information**  
On the Internet: [www.sti.com](http://www.sti.com)  
E-mail: [sales@sti.com](mailto:sales@sti.com)

## Application



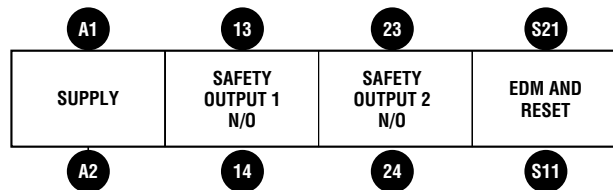
H  
safety monitoring relays

 For a full explanation of the circuit operating principle and fault detection, see "Common Circuit Examples" in the Engineering Section of this catalog.

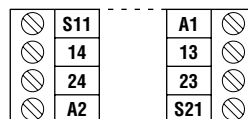
## Output Contact Arrangements



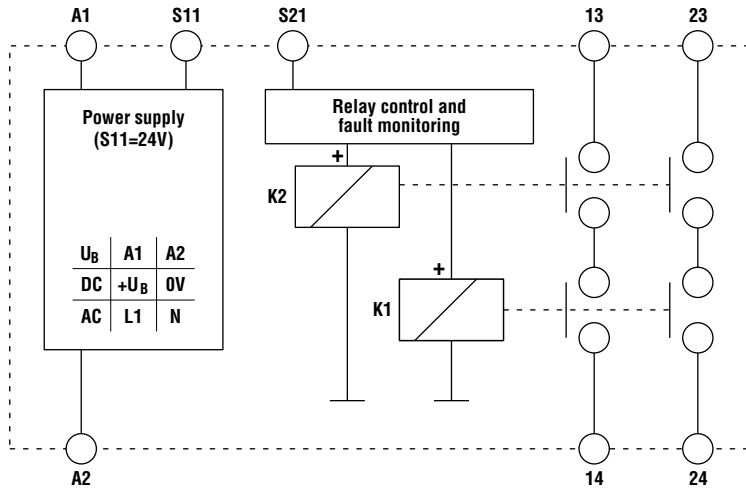
## Terminal Connections



## Terminal Pin Assignments



## ■ Block Diagram

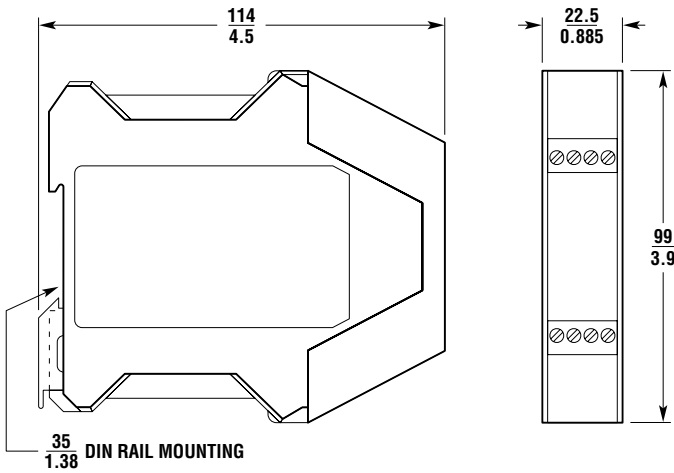


## H

safety monitoring relays

## ■ Dimensions — mm/in.

SR101A



**A** Go to the Engineering Guide  
For in-depth information on safety standards and use.

## ■ Specifications

Electrical	All Models	SR101A01	SR101A02	SR101A03
<b>Power Supply:</b>	±10%, 50-60 Hz	24 VAC/DC	115 VAC	230 VAC
<b>Power Consumption:</b>	Approx. 1 VA			
<b>Safety Inputs:</b>	1 N/C (not monitored)			
<b>Outputs:</b>	2 N/O			
<b>Output Rating AC:</b>	Inductive AC-15, 4 A/230 V			
<b>Output Rating DC:</b>	Inductive DC-13, 2 A/24 V			
<b>Min Switched Current/Voltage:</b>	20 mA/24 V			
<b>Impulse Withstand Voltage:</b>	2500 V			
<b>Max Drop-Out Time:</b>	75 ms			
<b>Max Output Fuse:</b>	6 A quick-acting fuse or 4 A slow-acting			
<b>Reset Mode:</b>	Automatic (S11-S21)			
<b>Contactor Monitoring:</b>	N/C loop S11-S21			
<b>Mechanical</b>				
<b>Mounting:</b>	35 mm (1.38 in.) DIN rail			
<b>Case Material:</b>	Fiber-filled Polyamide PA6.6			
<b>Max Wire Size:</b>	1 x 2.5 mm (14 AWG) stranded			
<b>Weight:</b>	230 g (8.1 oz.)			
<b>Color:</b>	Red			
<b>External Switches:</b>	None			
<b>Indication:</b>	Green = K1 Closed, Green = K2 Closed			
<b>Mechanical Life:</b>	1 x 10 <sup>7</sup> operations			
<b>Environmental</b>				
<b>Enclosure Protection:</b>	IP20 terminals, IP40 (NEMA 1) housing			
<b>Operating Temperature:</b>	24 VAC/DC: -15 to 60°C (5 to 140°F) 115/230 VAC: -15 to 40°C (-5 to 104°F)			
<b>Humidity:</b>	93% RH at 104°C (219°F)			
<b>Compliance</b>				
<b>Standards:</b>	EN 60204-1: 1998, EN 954-1: 1996, VDE 0113 Part 1: 1998-11			
<b>Approvals/Listings:</b>	CE marked for all applicable directives, BG, UL and C-UL			
<b>Safety Category:</b>	Cat. 3 per EN954-1 (SR101 internal operation)			

Specifications are subject to change without notice.

Note: The safety contacts of the STI switches are described as normally closed (N/C)—i.e., with the guard closed, actuator in place, and the machine able to be started.

## ■ Ordering

Model	Supply	Inputs	Outputs	Part No.
SR101A01	24 VAC/DC	1 N/C	2 N/O	44510-1011
SR101A02	115 VAC	1 N/C	2 N/O	44510-1012
SR101A03	230 VAC*	1 N/C	2 N/O	44510-1013

\*230 VAC units are available on special order. Minimum quantities may apply.