



Chipsmall Limited consists of a professional team with an average of over 10 year of expertise in the distribution of electronic components. Based in Hongkong, we have already established firm and mutual-benefit business relationships with customers from,Europe,America and south Asia,supplying obsolete and hard-to-find components to meet their specific needs.

With the principle of “Quality Parts,Customers Priority,Honest Operation,and Considerate Service”,our business mainly focus on the distribution of electronic components. Line cards we deal with include Microchip,ALPS,ROHM,Xilinx,Pulse,ON,Everlight and Freescale. Main products comprise IC,Modules,Potentiometer,IC Socket,Relay,Connector.Our parts cover such applications as commercial,industrial, and automotives areas.

We are looking forward to setting up business relationship with you and hope to provide you with the best service and solution. Let us make a better world for our industry!



Contact us

Tel: +86-755-8981 8866 Fax: +86-755-8427 6832

Email & Skype: info@chipsmall.com Web: www.chipsmall.com

Address: A1208, Overseas Decoration Building, #122 Zhenhua RD., Futian, Shenzhen, China





Conforms to EN60204-1, EN954-1, VDE 0113-1
UL and C-UL listed, BG approved



H

safety monitoring relays

SR106ED

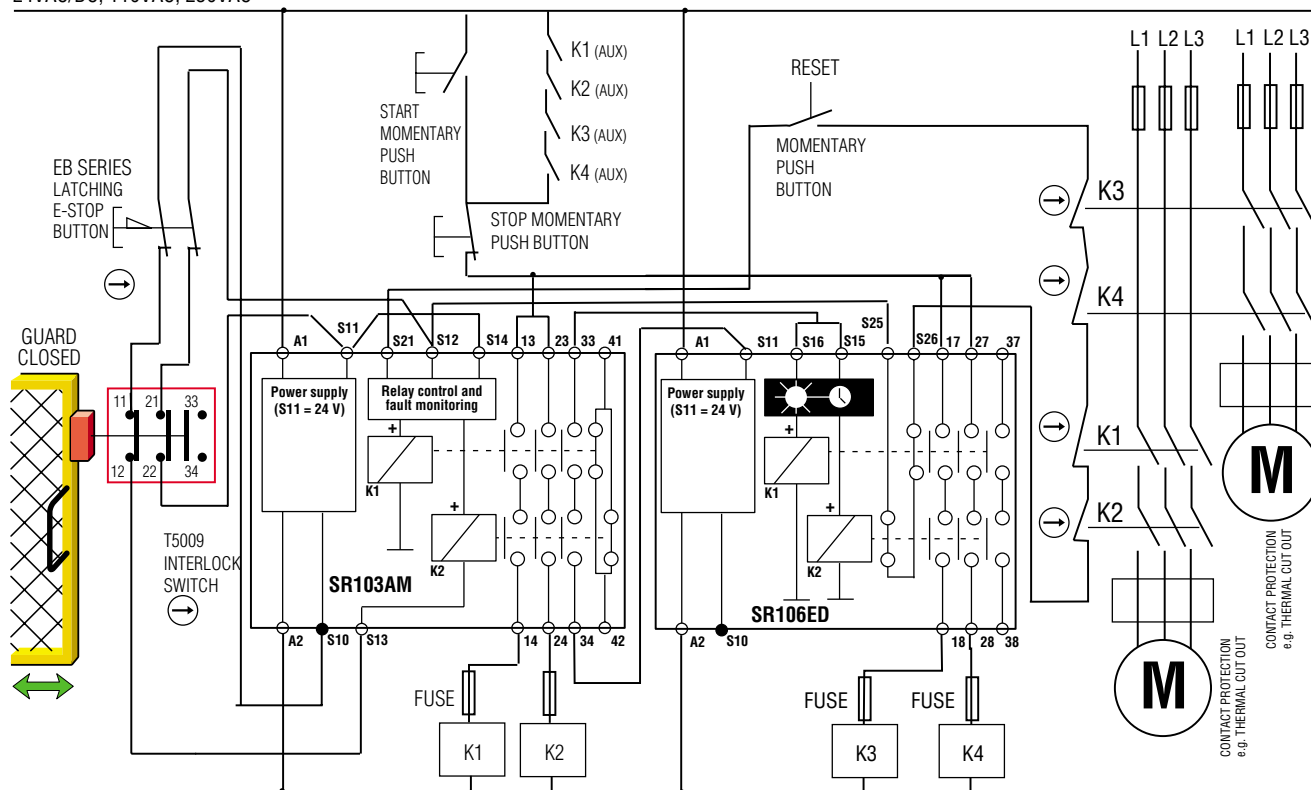
Safety Expansion Unit

- Power requirements—the SR106ED will accept 24 VAC/DC, 115 VAC or 230 VAC
- Outputs—the SR106ED has 3 N/O delayed outputs to route power to the coils of power contactors (delay selectable from 1 to 30 sec.)
- Auxiliary Output—the SR106ED has 1 N/C auxiliary for monitoring by the safety monitoring relay
- PLC Compatible—The N/O off delayed output makes it possible to use the SR106ED on machines with Programmable Logic Controllers that require some time to execute an orderly shutdown.

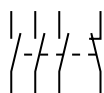
A Go to the Engineering Guide
For in-depth information on safety standards and use.

Application

24VAC/DC, 110VAC, 230VAC



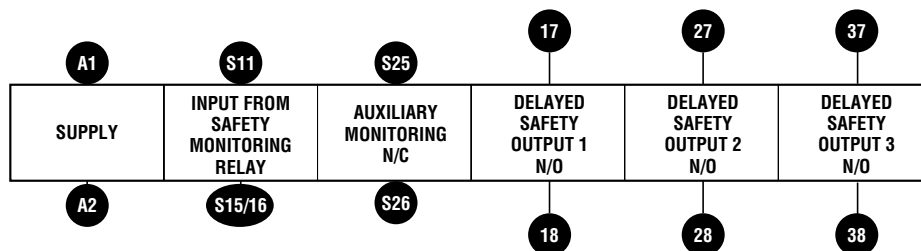
Output Contact Arrangements



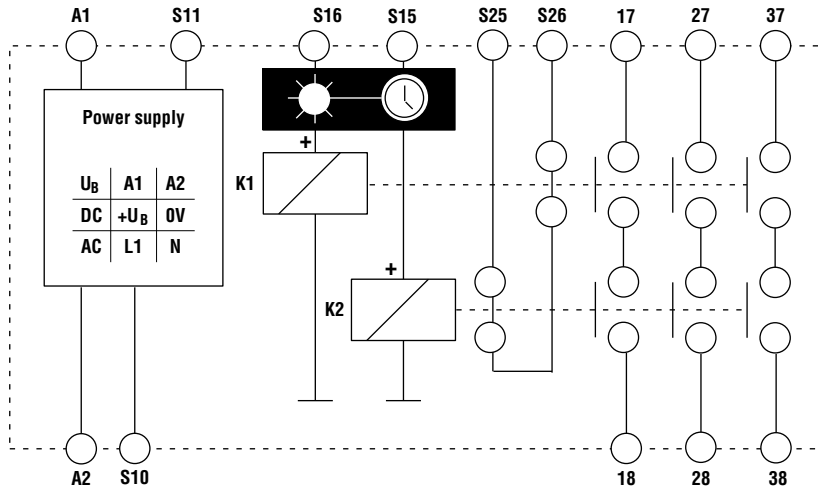
Terminal Pin Assignments

18	⊗	⊗	S25	A1	⊗	⊗	17
28	⊗	⊗	S26	S11	⊗	⊗	27
38	⊗	⊗	S10	S15	⊗	⊗	37
	⊗	⊗	A2	S16	⊗	⊗	

Terminal Connections



■ Block Diagram

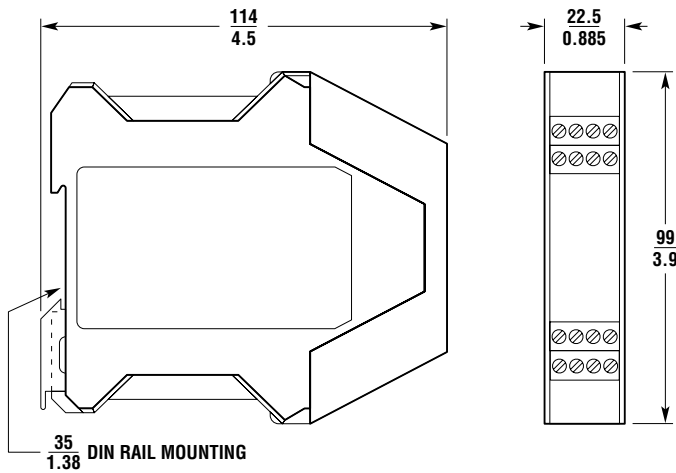


H

safety monitoring relays

■ Dimensions — mm/in.

SR106ED



A Go to the Engineering Guide
For in-depth information on safety standards and use.

■ Specifications

Electrical	All Models	SR106ED01	SR106ED02	SR106ED03
Power Supply:	±10%, 50-60 Hz	24 VAC/DC	115 VAC	230 VAC
Power Consumption:	Approx. 1 VA			
Outputs:	3 N/O timer delayed (1 to 30 sec.)			
Auxiliary Outputs:	1 N/C for monitoring by safety monitoring relay			
Output Rating AC:	Inductive AC-15, 4 A/230 V			
Output Rating DC:	Inductive DC-13, 2 A/24 V			
Min Switched Current/Voltage:	20 mA/24 V			
Impulse Withstand Voltage:	2500 V			
Max Drop-Out Time:	Equal to delay timer setting (75 ms by removing supply voltage)			
Max Output Fuse:	6 A quick-acting or 4 A slow-acting			
Mechanical				
Mounting:	35 mm (1.38 in.) DIN rail			
Case Material:	Fiber-filled Polyamide PA6.6			
Max Wire Size:	1 x 2.5 mm ² (14 AWG) stranded			
Weight:	230 g (8.1 oz.)			
Color:	Red			
External Switches:	Timer delay setting (1 to 30 sec.)			
Indication:	Green = K1 Closed, Green = K2 Closed			
Mechanical Life:	1 x 10 ⁷ operations			
Environmental				
Enclosure Protection:	IP20 terminals, IP40 (NEMA 1 housing)			
Operating Temperature:	24 VAC/DC: -15 to 60°C (5 to 140°F) 115/230 VAC: -15 to 40°C (5 to 104°F)			
Humidity:	93% RH at 40°C (104°F)			
Compliance				
Standards:	EN 60204-1, EN 954-1, VDE 0113-1			
Approvals/Listings:	CE marked for all applicable directives, BG, UL and C-UL			
Safety Category:	Cat. 3 per EN954-1 (SR106 internal operation)			

Specifications are subject to change without notice.

Note: The safety contacts of the STI switches are described as normally closed (N/C)—i.e., with the guard closed, actuator in place, and the machine able to be started.

■ Ordering

Model	Supply	Outputs	Auxiliary	Part No.
SR106ED01	24 VAC/DC	3 N/O off delayed	1 N/C	44510-1061
SR106ED02	115 VAC	3 N/O off delayed	1 N/C	44510-1062
SR106ED03	230 VAC*	3 N/O off delayed	1 N/C	44510-1063

*230 VAC units are available on special order. Minimum quantities may apply.