



Chipsmall Limited consists of a professional team with an average of over 10 year of expertise in the distribution of electronic components. Based in Hongkong, we have already established firm and mutual-benefit business relationships with customers from,Europe,America and south Asia,supplying obsolete and hard-to-find components to meet their specific needs.

With the principle of “Quality Parts,Customers Priority,Honest Operation,and Considerate Service”,our business mainly focus on the distribution of electronic components. Line cards we deal with include Microchip,ALPS,ROHM,Xilinx,Pulse,ON,Everlight and Freescale. Main products comprise IC,Modules,Potentiometer,IC Socket,Relay,Connector.Our parts cover such applications as commercial,industrial, and automotives areas.

We are looking forward to setting up business relationship with you and hope to provide you with the best service and solution. Let us make a better world for our industry!



Contact us

Tel: +86-755-8981 8866 Fax: +86-755-8427 6832

Email & Skype: info@chipsmall.com Web: www.chipsmall.com

Address: A1208, Overseas Decoration Building, #122 Zhenhua RD., Futian, Shenzhen, China



SR203M and SR203AM

Rev. 2.06



Conforms to EN60204-1, EN954-1, ISOTR 12100
UL and C-UL listed, BG approved



H

safety monitoring relays

SR203M and SR203AM

Dual Channel Safety Monitoring Relay

- Power requirements—the SR203M/A will accept 24 VAC/DC, 115 VAC, or 230 VAC
- Inputs—the SR203M/A will accept single or dual N/C inputs or dual PNP inputs from a light curtain
- Outputs—the SR203M/A has 3 N/O outputs to route power to the coils of power contactors, plus 1 N/C auxiliary output for signaling purposes
- External Device Monitoring (EDM) is provided with a N/C loop between S12 and S34 on the SR203M/A
- Monitored manual or auto-automatic/manual reset modes are available on the SR203M/A
- The SR203M/A have removable terminal blocks



Go to the Engineering Guide

For in-depth information on safety standards and use.



H64

USA Tel. 1/888/510-4357
Canada Tel. 1/800/221-7060

UK Tel. +44 (0) 1395-273-209
Europe Tel. +49 (0) 5258-938-776

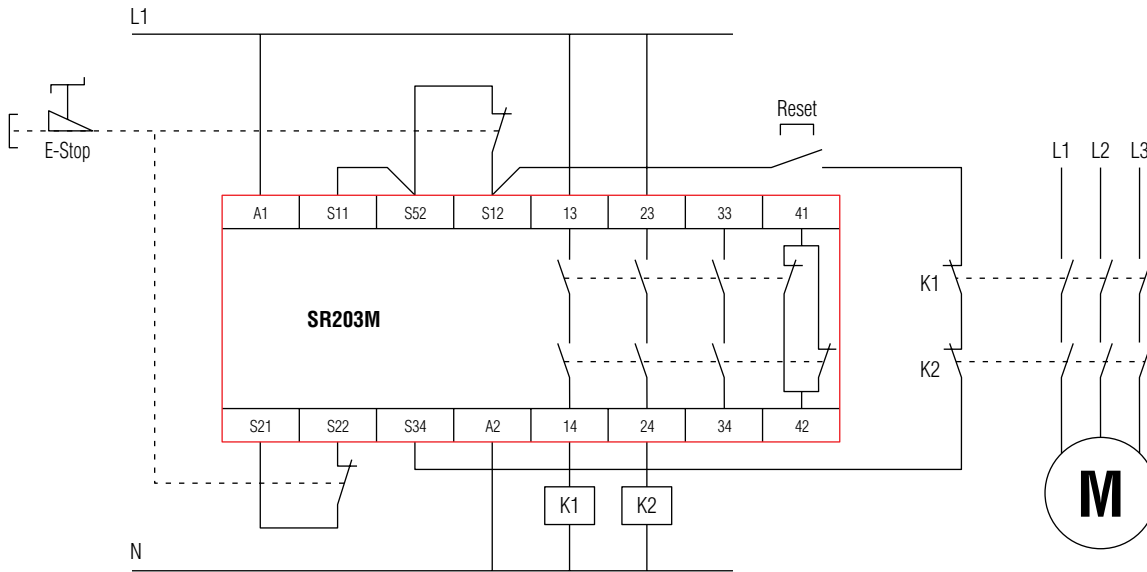
Japan Tel. +81-466-22-1132
China Tel. +86-21-5836-7708
Singapore Tel. +65-648-44-001



For the Latest Information

On the Internet: www.sti.com
E-mail: sales@sti.com

Application



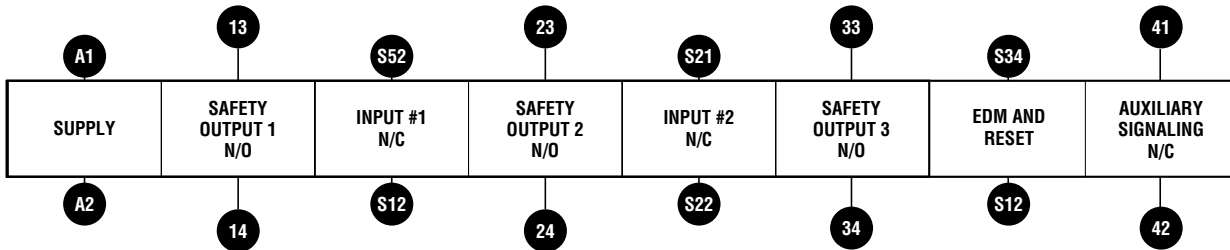
Output Contact Arrangements



Terminal Pin Assignments

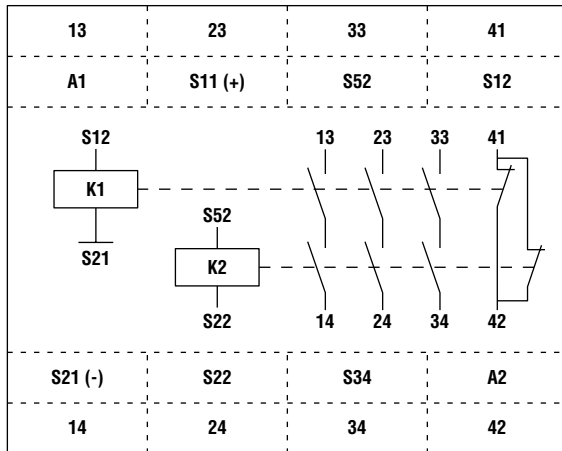
14	⊗	⊗	S21	A1	⊗	⊗	13
24	⊗	⊗	S22	S11	⊗	⊗	23
34	⊗	⊗	S34	S52	⊗	⊗	33
42	⊗	⊗	A2	S12	⊗	⊗	41

Terminal Connections



H
safety monitoring relays

■ Block Diagram

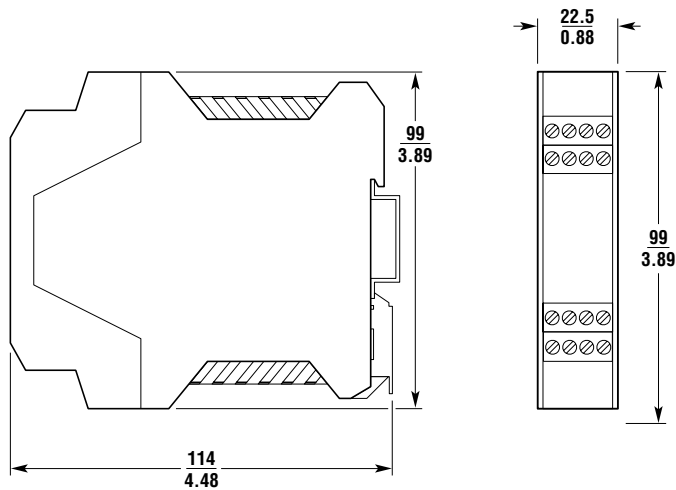


H

safety monitoring relays

■ Dimensions — mm/in.

SR203M/A



A **Go to the Engineering Guide**
For in-depth information on safety standards and use.



USA Tel. 1/888/510-4357
Canada Tel. 1/800/221-7060

UK Tel. +44 (0) 1395-273-209
Europe Tel. +49 (0) 5258-938-776

Japan Tel. +81-466-22-1132
China Tel. +86-21-5836-7708
Singapore Tel. +65-648-44-001



For the Latest Information
On the Internet: www.sti.com
E-mail: sales@sti.com

■ Specifications

		SR203M01	SR203M02	SR203M03
Electrical	All Models	SR203AM01	SR203AM02	SR203AM03
Power Supply:	±10%, 50-60 Hz	24 VAC/DC	115 VAC	230 VAC
Power Consumption:	Approx. 2 W			
Safety Inputs:	1 N/C or 2 N/C or 2 PNP (light curtain)			
Outputs:	3 N/O safety, 1 N/C auxiliary			
Output Rating AC:	Inductive AC-15, 5 A/230 VAC			
Output Rating DC:	Inductive DC-13, 3 A/24 VDC			
Min Switched Current/Voltage:	10 mA/10 V			
Impulse Withstand Voltage:	2500 V			
Max Drop-Out Time:	15 ms (while energized)			
Max Output Fuse:	10 A quick-acting or 6 A slow-acting			
Reset Mode:	Monitored manual (SR203M) or auto/manual (SR203A)			
External Device Monitoring (EDM):	N/C loop S12-S34			
Mechanical				
Mounting:	35 mm (1.38 in.) DIN rail			
Case Material:	Polyamide PA6.6			
Max Wire Size:	0.2 to 4 mm ² (24-12 AWG)			
Weight:		210 g (7.4 oz.)	260 g (9.2 oz.)	260 g (9.2 oz.)
Color:	Red			
External Switches:	None			
Indication:	Green = Power, Green = CH1 Closed, Green = CH2 Closed			
Mechanical Life:	2 x 10 ⁶ operations			
Environmental				
Enclosure Protection:	IP20 terminals, IP40 (NEMA 1) housing			
Operating Temperature:	-5 to 55°C (23 to 131°F)			
Humidity:	90% RH			
Compliance				
Standards:	EN 60204-1, EN 954-1, ISO TR12100			
Approvals/Listings:	CE marked for all applicable directives, BG, UL and C-UL			
Safety Category:	Cat. 4 per EN954-1 (SR203 internal operation)			

Specifications are subject to change without notice.

Note: The safety contacts of the STI switches are described as normally closed (N/C)—i.e., with the guard closed, actuator in place, and the machine able to be started.

■ Ordering

Model	Supply	Inputs	Outputs	Auxiliary	Part No.
SR203AM01	24 VAC/DC	2 N/C	3 N/O	1 N/C	44510-2031
SR203AM02	115 VAC	2 N/C	3 N/O	1 N/C	44510-2032
SR203AM03	230 VAC*	2 N/C	3 N/O	1 N/C	44510-2033
SR203M01	24 VAC/DC	2 N/C	3 N/O	1 N/C	44510-2034
SR203M02	115 VAC	2 N/C	3 N/O	1 N/C	44510-2035
SR203M03	230 VAC*	2 N/C	3 N/O	1 N/C	44510-2036

*230 VAC units are available on special order. Minimum quantities may apply.