



Chipsmall Limited consists of a professional team with an average of over 10 year of expertise in the distribution of electronic components. Based in Hongkong, we have already established firm and mutual-benefit business relationships with customers from,Europe,America and south Asia,supplying obsolete and hard-to-find components to meet their specific needs.

With the principle of “Quality Parts,Customers Priority,Honest Operation,and Considerate Service”,our business mainly focus on the distribution of electronic components. Line cards we deal with include Microchip,ALPS,ROHM,Xilinx,Pulse,ON,Everlight and Freescale. Main products comprise IC,Modules,Potentiometer,IC Socket,Relay,Connector.Our parts cover such applications as commercial,industrial, and automotives areas.

We are looking forward to setting up business relationship with you and hope to provide you with the best service and solution. Let us make a better world for our industry!



Contact us

Tel: +86-755-8981 8866 Fax: +86-755-8427 6832

Email & Skype: info@chipsmall.com Web: www.chipsmall.com

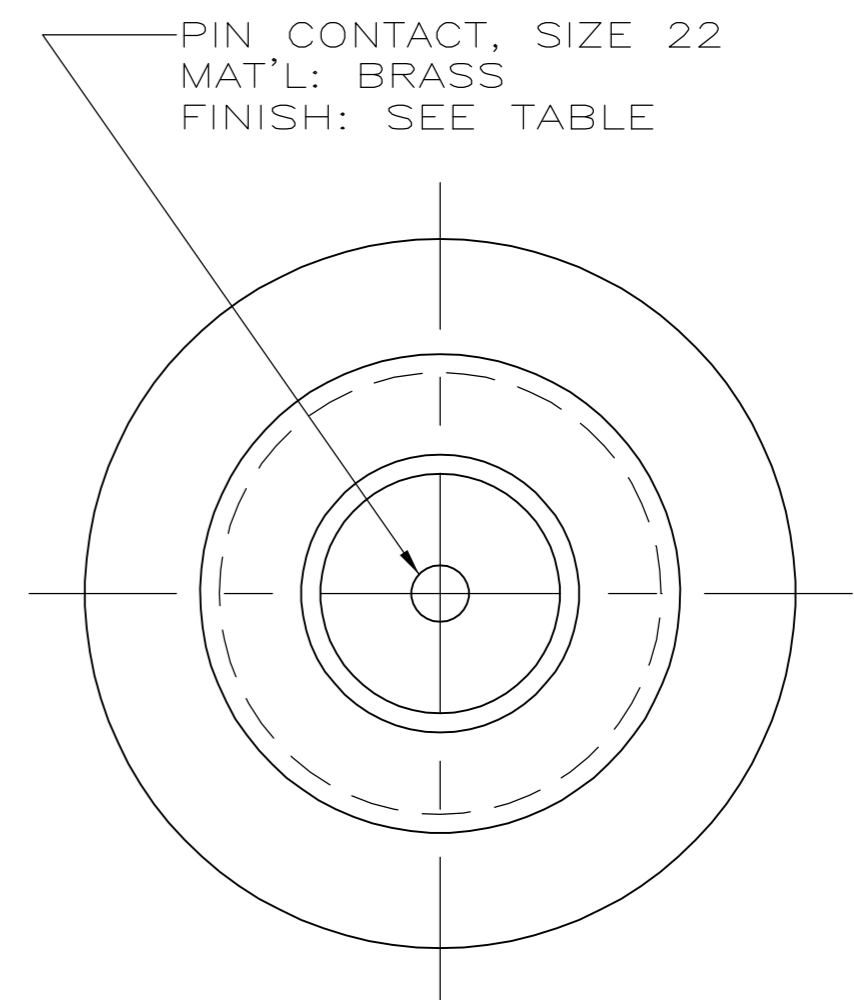
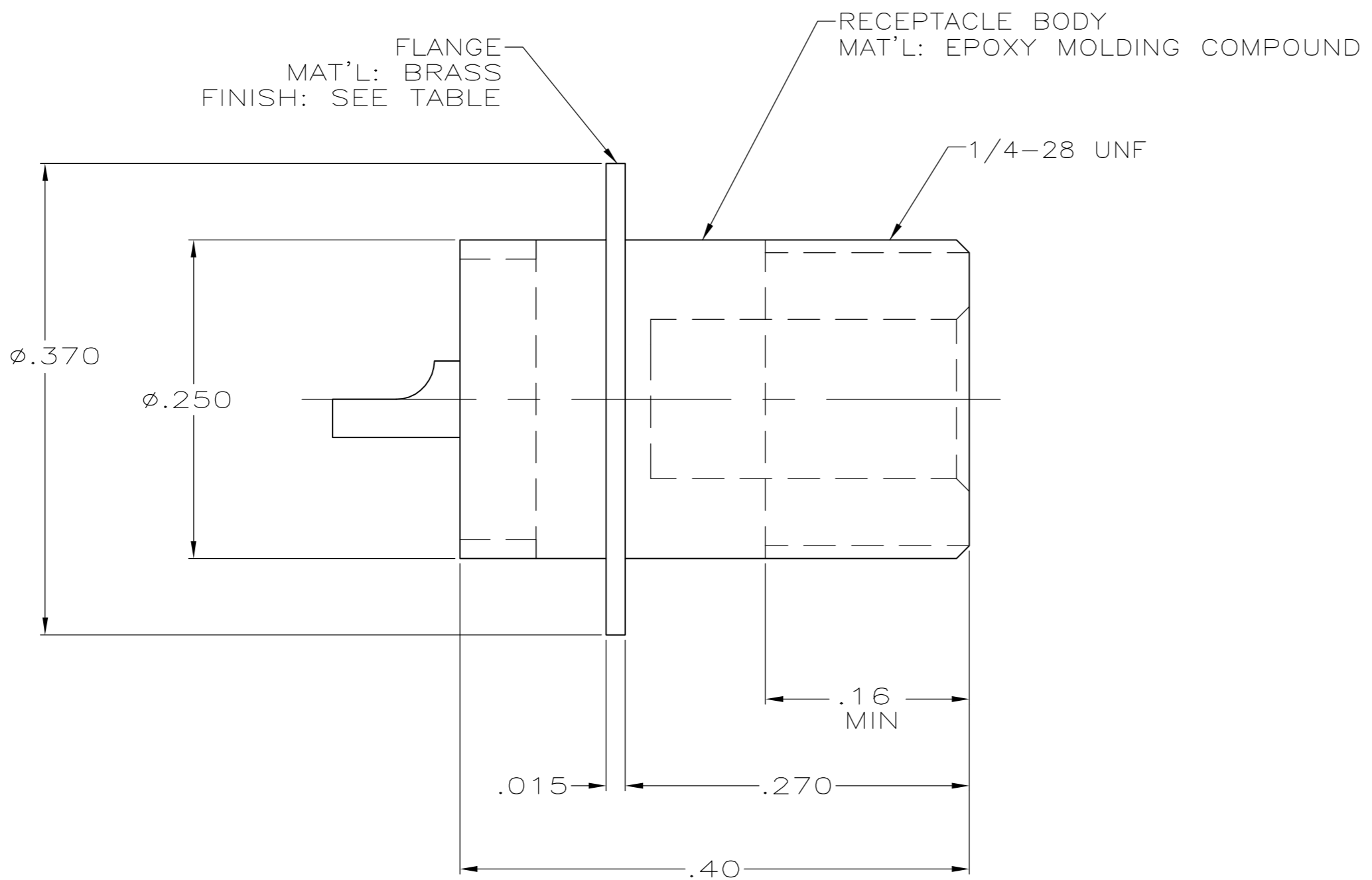
Address: A1208, Overseas Decoration Building, #122 Zhenhua RD., Futian, Shenzhen, China



THIS DRAWING IS UNPUBLISHED. RELEASED FOR PUBLICATION - .N/A .
 © COPYRIGHT N/A BY TYCO ELECTRONICS CORPORATION. ALL RIGHTS RESERVED.

LOC	DIST	REVISIONS					
DF	SO	P	LTR	DESCRIPTION	DATE	DWN	APVD
		B		REV PER 0H14-0191-05	05-05	AA	DE

1. RECEPTACLE WILL MATE WITH ANY LGH-1/4 LEAD ASSEMBLY.
2. RATING: 5KVDC (7.5 KVDC DWV)
0 TO 70,000 FEET ALTITUDE
-55°C TO +125°C



TIN	5-445159-1
TIN-LEAD	445159-1
FINISH	PART NO

THIS DRAWING IS A CONTROLLED DOCUMENT.		DWN	C.C.THOMAS	01-NOV-88	 Tyco Electronics Corporation Harrisburg, Pa 17105-3608
DIMENSIONS: INCHES		CHK	M.GARDNER	05-NOV-88	
TOLERANCES UNLESS OTHERWISE SPECIFIED:		APVD	M.GARDNER	05-NOV-88	
0 PLC ± - 1 PLC ± - 2 PLC ± .02 3 PLC ± .010 4 PLC ± - ANGLES ± - FINISH SEE TABLE		PRODUCT SPEC	NAME		
MATERIAL SEE CALLOUTS		APPLICATION SPEC	RECEPTACLE METAL FLANGE LGH-1/4		RESTRICTED TO
		WEIGHT	-	SIZE	A2
		CUSTOMER DRAWING	SCALE	10:1	SHEET 1 OF 1
				DRAWING NO	C=445159
				REV	B

445159