



Chipsmall Limited consists of a professional team with an average of over 10 year of expertise in the distribution of electronic components. Based in Hongkong, we have already established firm and mutual-benefit business relationships with customers from,Europe,America and south Asia,supplying obsolete and hard-to-find components to meet their specific needs.

With the principle of “Quality Parts,Customers Priority,Honest Operation,and Considerate Service”,our business mainly focus on the distribution of electronic components. Line cards we deal with include Microchip,ALPS,ROHM,Xilinx,Pulse,ON,Everlight and Freescale. Main products comprise IC,Modules,Potentiometer,IC Socket,Relay,Connector.Our parts cover such applications as commercial,industrial, and automotives areas.

We are looking forward to setting up business relationship with you and hope to provide you with the best service and solution. Let us make a better world for our industry!



## Contact us

Tel: +86-755-8981 8866 Fax: +86-755-8427 6832

Email & Skype: info@chipsmall.com Web: www.chipsmall.com

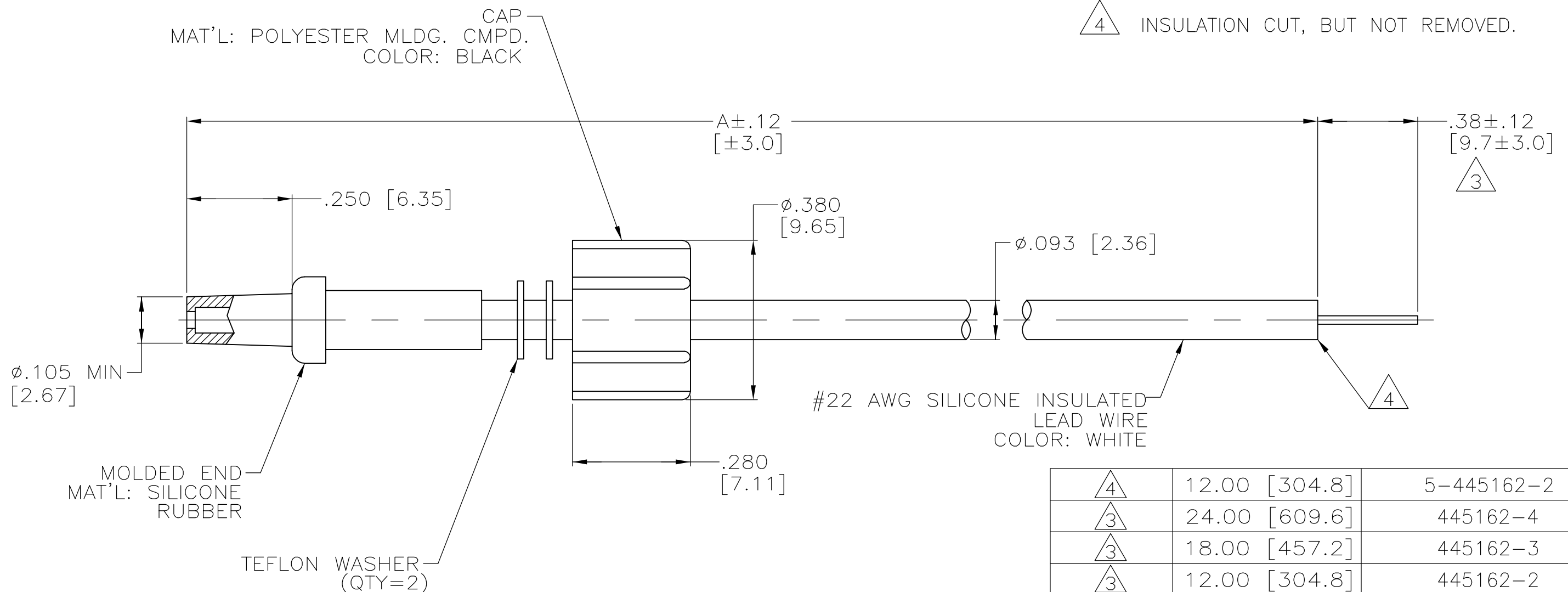
Address: A1208, Overseas Decoration Building, #122 Zhenhua RD., Futian, Shenzhen, China



THIS DRAWING IS UNPUBLISHED. RELEASED FOR PUBLICATION - ,N/A .  
 © COPYRIGHT N/A BY TYCO ELECTRONICS CORPORATION. ALL RIGHTS RESERVED.

LOC	DIST	REVISIONS			
P	LTR	DESCRIPTION	DATE	DWN	APVD
DF	SO	B	REV PER ECO-05-002595	07-05	AA DE

1. MARKED PER MIL-STD-130.
  2. TO MATE WITH AMP LGH-1/4 RECEPTACLE WITH A .250 [6.35] BARREL DEPTH.
- △3 PIGTAIL IS SOLDER DIPPED.  
 △4 INSULATION CUT, BUT NOT REMOVED.



REMARKS	DIM A	PART NUMBER
△4	12.00 [304.8]	5-445162-2
△3	24.00 [609.6]	445162-4
△3	18.00 [457.2]	445162-3
△3	12.00 [304.8]	445162-2
△3	6.00 [152.4]	445162-1

THIS DRAWING IS A CONTROLLED DOCUMENT.		DWN C.C.THOMAS 16-JUN-97	Tyco Electronics Corporation Harrisburg, Pa 17105-3608	
DIMENSIONS: INCHES	TOLERANCES UNLESS OTHERWISE SPECIFIED:	CHK S.GLATFELTER 07-JUL-97	NAME	
	0 PLC ± -	APVD S.GLATFELTER 07-JUL-97	LEAD ASSY	
	1 PLC ± -	PRODUCT SPEC	SGL END	
	2 PLC ± -	APPLICATION SPEC	LGH-1/4	
	3 PLC ± .005 [0.13]	WEIGHT	SIZE	CAGE CODE
	4 PLC ± -		A3	00779
	ANGLES ± -		DRAWING NO	RESTRICTED TO
MATERIAL	FINISH		C=445162	
		CUSTOMER DRAWING	SCALE	SHEET
			4:1	1 OF 1
				REV B