



Chipsmall Limited consists of a professional team with an average of over 10 year of expertise in the distribution of electronic components. Based in Hongkong, we have already established firm and mutual-benefit business relationships with customers from,Europe,America and south Asia,supplying obsolete and hard-to-find components to meet their specific needs.

With the principle of "Quality Parts,Customers Priority,Honest Operation,and Considerate Service",our business mainly focus on the distribution of electronic components. Line cards we deal with include Microchip,ALPS,ROHM,Xilinx,Pulse,ON,Everlight and Freescale. Main products comprise IC,Modules,Potentiometer,IC Socket,Relay,Connector.Our parts cover such applications as commercial,industrial, and automotives areas.

We are looking forward to setting up business relationship with you and hope to provide you with the best service and solution. Let us make a better world for our industry!



## Contact us

Tel: +86-755-8981 8866 Fax: +86-755-8427 6832

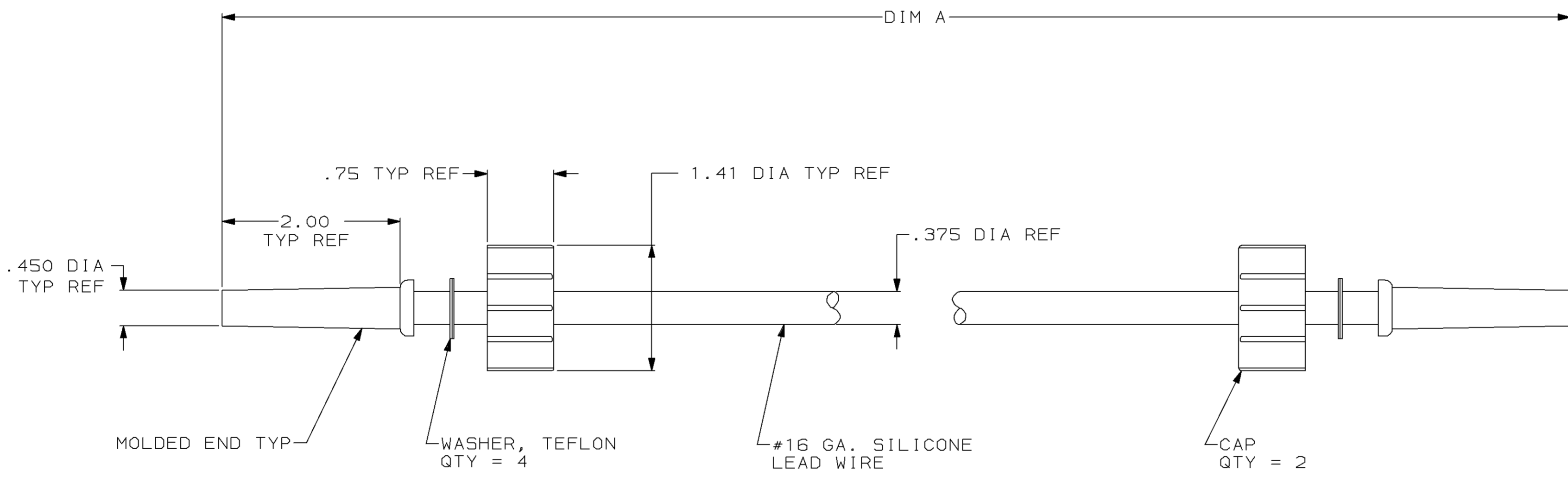
Email & Skype: info@chipsmall.com Web: www.chipsmall.com

Address: A1208, Overseas Decoration Building, #122 Zhenhua RD., Futian, Shenzhen, China



THIS DRAWING IS UNPUBLISHED. RELEASED FOR PUBLICATION ,19 .  
 © COPYRIGHT 19 BY AMP INCORPORATED. ALL INTERNATIONAL RIGHTS RESERVED.

4092	Loc	DIST	REVISIONS					
DF	SO	P	F	ZONE	LTR	DESCRIPTION	DATE	APPD
					0	RSLE/W.0.8-036F CCT	2-88	GS
					A	REV 0600-0605-93 TT	07-93	SG



1. MARKED PER MIL STD-130.
2. TO MATE WITH AMP LGH-4 RECEPTACLE WITH 2.00 BARREL DEPTH.
3. COLOR OF LEAD WIRE: WHITE.

18.00±.12	445217-2
24.00±.24	445217-1
A DIM	PART NO

DO NOT SCALE PRINT. UNLESS SPECIFIED DIMENSIONS IN INCHES TOLERANCES ON : 2 PLC DEC ± — 3 PLC DEC ± — ANGLES ± —	DR 2-10-88 C. THOMAS	AMP INCORPORATED Harrisburg, Pa. 17105	
	CHK 2-12-88 G. SCHAEFFER		
MATERIAL	APPD 2-12-88 M. GARDNER	NAME	
FINISH	APPD 2-12-88 W. SHATTO	LEAD ASS'Y, DBL. END, LGH-4	
	PRODUCT SPEC	SIZE	FSCM NO
	APPLICATION SPEC	<b>C</b> 00779	DRAWING NO
	WEIGHT	SCALE 1:1	445217
			SHEET 1 OF 1