



Chipsmall Limited consists of a professional team with an average of over 10 year of expertise in the distribution of electronic components. Based in Hongkong, we have already established firm and mutual-benefit business relationships with customers from,Europe,America and south Asia,supplying obsolete and hard-to-find components to meet their specific needs.

With the principle of “Quality Parts,Customers Priority,Honest Operation,and Considerate Service”,our business mainly focus on the distribution of electronic components. Line cards we deal with include Microchip,ALPS,ROHM,Xilinx,Pulse,ON,Everlight and Freescale. Main products comprise IC,Modules,Potentiometer,IC Socket,Relay,Connector.Our parts cover such applications as commercial,industrial, and automotives areas.

We are looking forward to setting up business relationship with you and hope to provide you with the best service and solution. Let us make a better world for our industry!



Contact us

Tel: +86-755-8981 8866 Fax: +86-755-8427 6832

Email & Skype: info@chipsmall.com Web: www.chipsmall.com

Address: A1208, Overseas Decoration Building, #122 Zhenhua RD., Futian, Shenzhen, China

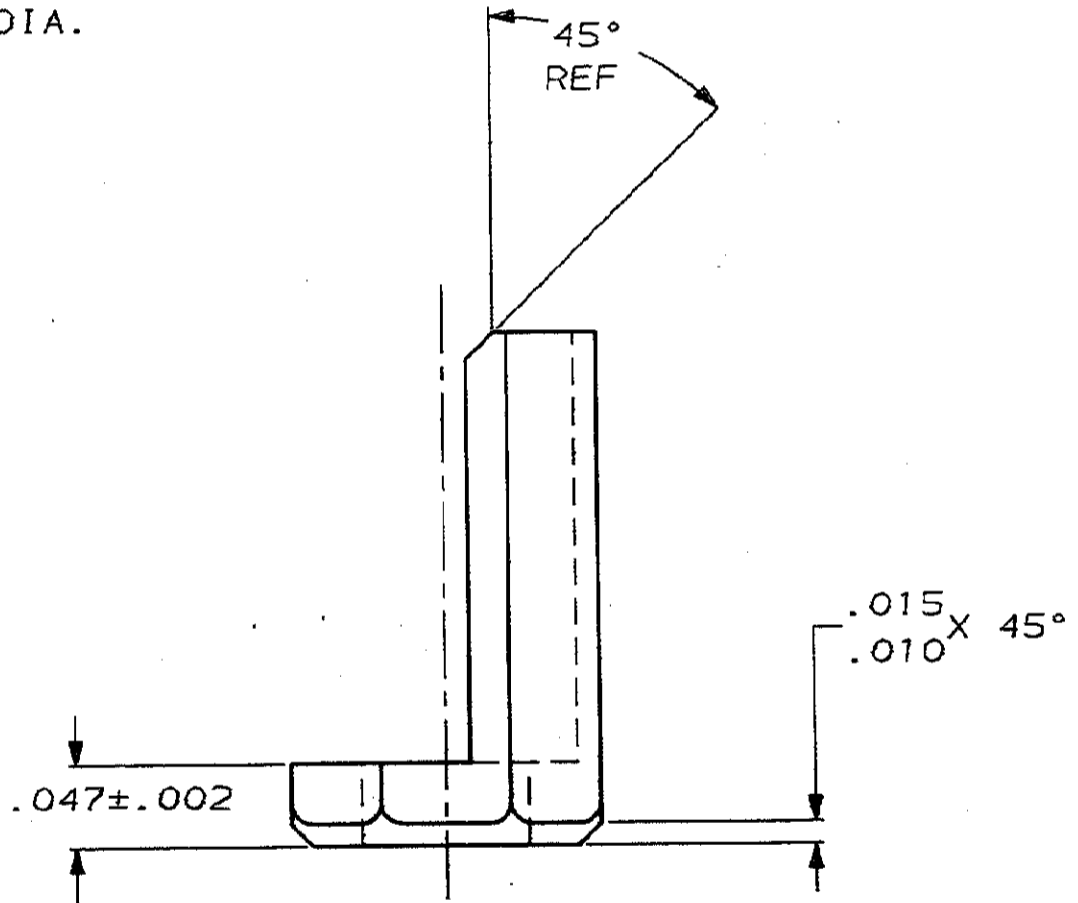
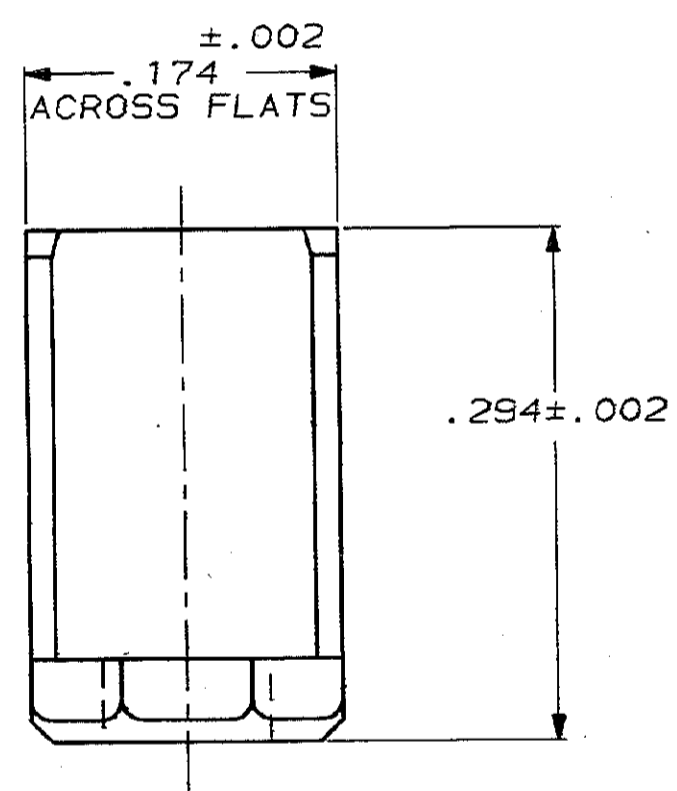
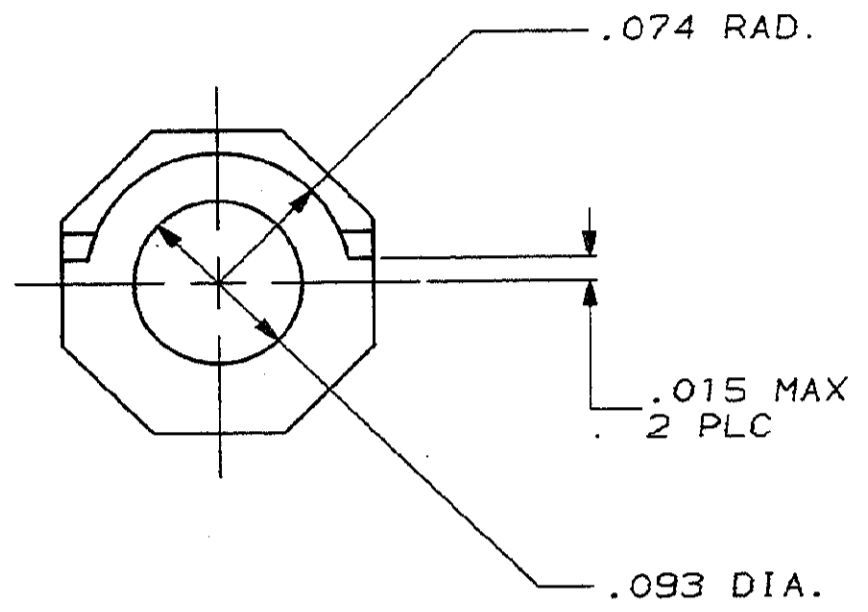


DRAWING MADE IN THIRD ANGLE PROJECTION

THIS DRAWING IS UNPUBLISHED. RELEASED FOR PUBLICATION .19

© COPYRIGHT 19 BY AMP INCORPORATED. ALL INTERNATIONAL RIGHTS RESERVED.

LOC	DIST	REVISIONS				DATE	APPD
DF	TO	P	F	ZONE	LTR	DESCRIPTION	
					A	REV PER ECN DF-1043	10-17-88 DES JMN
					B	REV PER ECN DF-1335	1-14-89 DES JMN
					C	REV PER ECN DF-1390	2-2-89 DES JMN



1 MATERIAL: STAINLESS STEEL PER ASTM-A-582.
2 PASSIVATED PER QQ-P-35.

445282-1

PART NO

DO NOT SCALE PRINT.
UNLESS SPECIFIED
DIMENSIONS IN INCHES
TOLERANCES ON:
2 PLC DEC ± -
3 PLC DEC ± .005
ANGLES ± 1°

DR D.E. STAHL
9/12/88
CHK J.M. NORTON
9/12/88
APPD J.M. NORTON
9/12/88
APPD K.N. AYER
9/12/88

AMP | AMP INCORPORATED
Harrisburg, Pa. 17105

NAME
**KEY, EXTERNAL
HDI-6 ROW**

MATERIAL
1

PRODUCT SPEC
-

FINISH
2

APPLICATION SPEC
-
WEIGHT -

SIZE
C
SCALE -

FSCM NO
00779
DRAWING NO
445282
SHEET
1 OF 1