



Chipsmall Limited consists of a professional team with an average of over 10 year of expertise in the distribution of electronic components. Based in Hongkong, we have already established firm and mutual-benefit business relationships with customers from,Europe,America and south Asia,supplying obsolete and hard-to-find components to meet their specific needs.

With the principle of “Quality Parts,Customers Priority,Honest Operation,and Considerate Service”,our business mainly focus on the distribution of electronic components. Line cards we deal with include Microchip,ALPS,ROHM,Xilinx,Pulse,ON,Everlight and Freescale. Main products comprise IC,Modules,Potentiometer,IC Socket,Relay,Connector.Our parts cover such applications as commercial,industrial, and automotives areas.

We are looking forward to setting up business relationship with you and hope to provide you with the best service and solution. Let us make a better world for our industry!



## Contact us

Tel: +86-755-8981 8866 Fax: +86-755-8427 6832

Email & Skype: info@chipsmall.com Web: www.chipsmall.com

Address: A1208, Overseas Decoration Building, #122 Zhenhua RD., Futian, Shenzhen, China



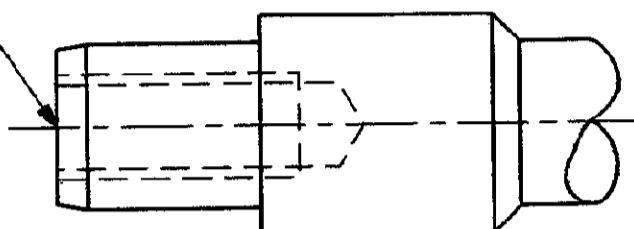
DRAWING MADE IN THIRD ANGLE PROJECTION

THIS DRAWING IS UNPUBLISHED. RELEASED FOR PUBLICATION .19

© COPYRIGHT 19 BY AMP INCORPORATED. ALL INTERNATIONAL RIGHTS RESERVED.

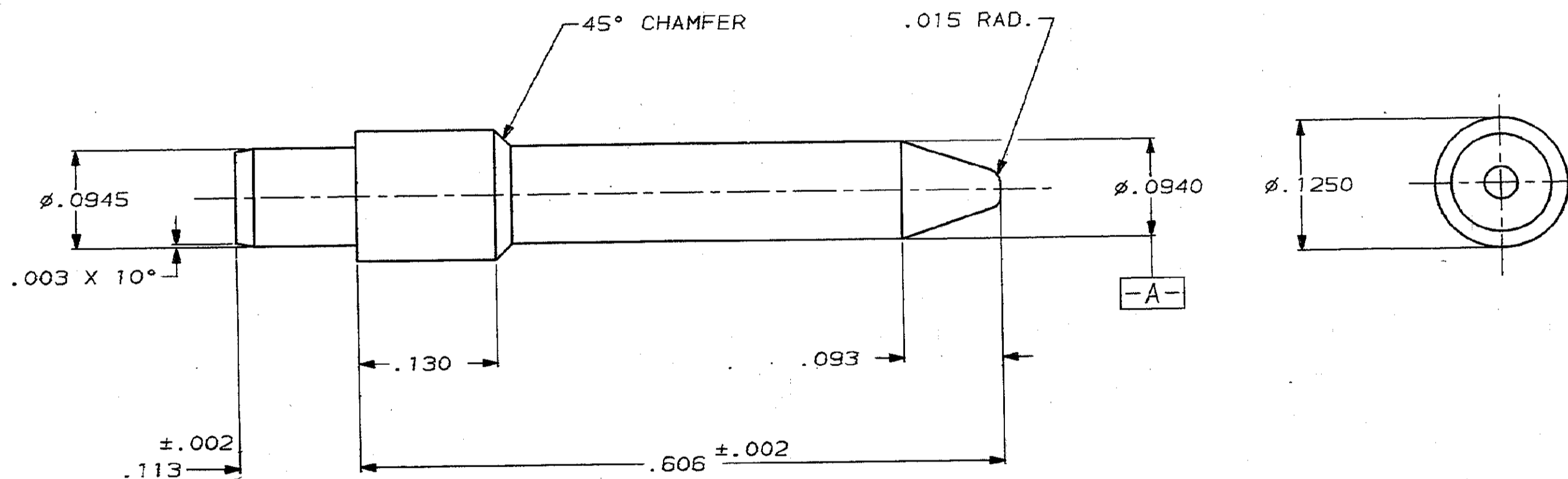
LOC	DIST	P	F	ZONE	LTR	REVISIONS	DATE	APPD
DF	TO				0	RELEASED	1-14-89	
					A	REV. PER ECN DF-1335	1-24/89	JMN
					B	REV. PER ECN DF-1390	2-2-89	JMN

#0-80 UNF-2B  
.135 DEEP



△3 FOR DASH-2 ONLY

- △1 MATERIAL: STAINLESS STEEL PER ASTM-A-582.
- △2 PASSIVATED PER QQ-P-35.
- △3 SAME AS DASH-1 EXCEPT AS NOTED.



NOTE	FINISH	MATERIAL	PART NO.
△3	△2	△1	445287-2
AS SHOWN	△2	△1	445287-1

DO NOT SCALE PRINT. UNLESS SPECIFIED .005 TOLERANCES ON: 3 PLC DEC $\pm .005$ 4 PLC DEC $\pm .0005$ ANGLES $\pm 1^\circ$	DR B.W. BLAIR 1-16-89 CHK J.S. MARGOSIAK 1-17-89 APPD J.S. MARGOSIAK 1-17-89 APPD D.E. SMITH 1-17-89	AMP INCORPORATED Harrisburg, Pa. 17105	
MATERIAL △1	PRODUCT SPEC -	NAME POST, GUIDE, CTR. AND GROUND HDI	
FINISH △2	APPLICATION SPEC -	SIZE C	FSCM NO 00779
	WEIGHT -	DRAWING NO 445287	SHEET 1 OF 1

CUSTOMER DRAWING