



Chipsmall Limited consists of a professional team with an average of over 10 year of expertise in the distribution of electronic components. Based in Hongkong, we have already established firm and mutual-benefit business relationships with customers from,Europe,America and south Asia,supplying obsolete and hard-to-find components to meet their specific needs.

With the principle of "Quality Parts,Customers Priority,Honest Operation,and Considerate Service",our business mainly focus on the distribution of electronic components. Line cards we deal with include Microchip,ALPS,ROHM,Xilinx,Pulse,ON,Everlight and Freescale. Main products comprise IC,Modules,Potentiometer,IC Socket,Relay,Connector.Our parts cover such applications as commercial,industrial, and automotives areas.

We are looking forward to setting up business relationship with you and hope to provide you with the best service and solution. Let us make a better world for our industry!



Contact us

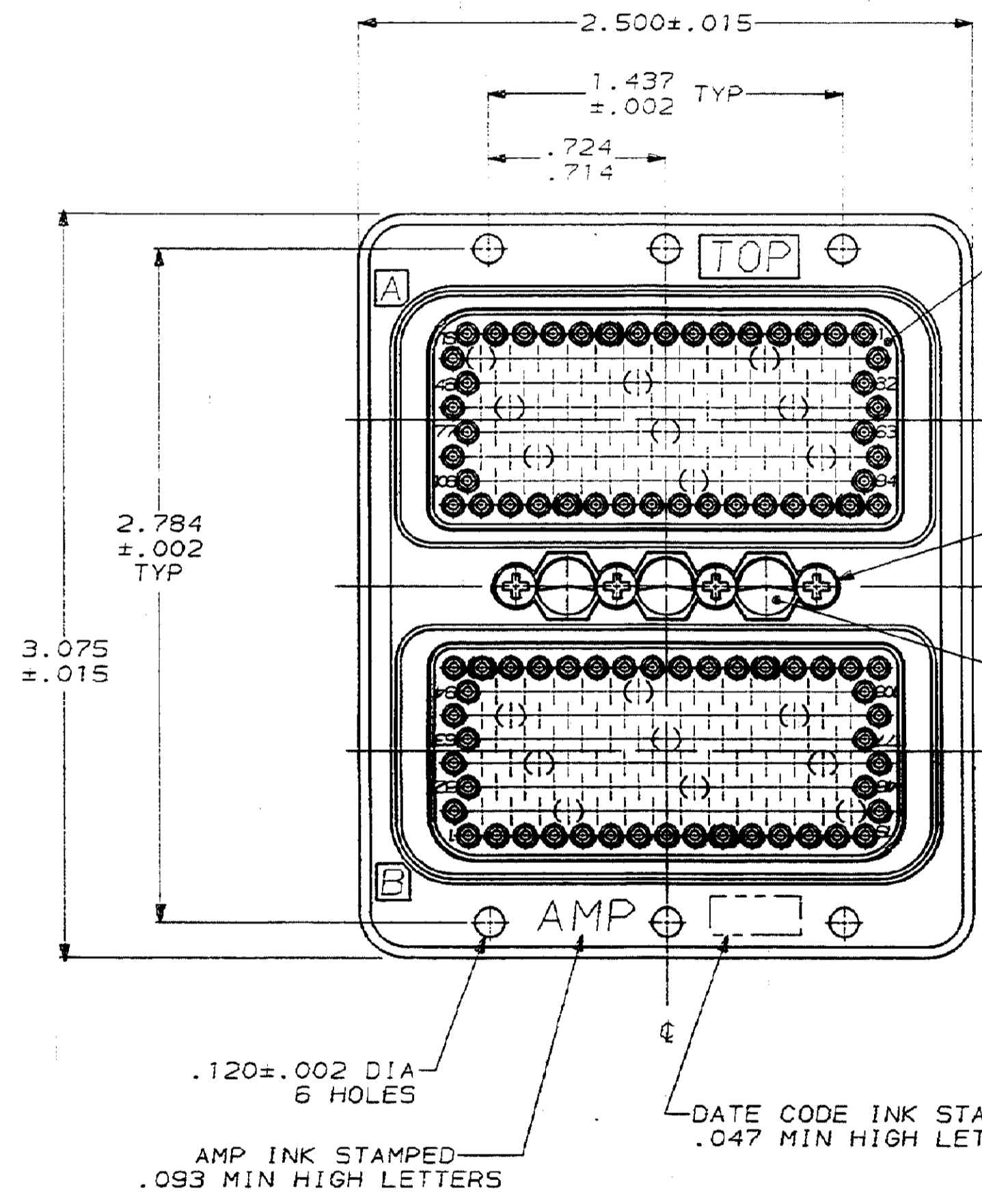
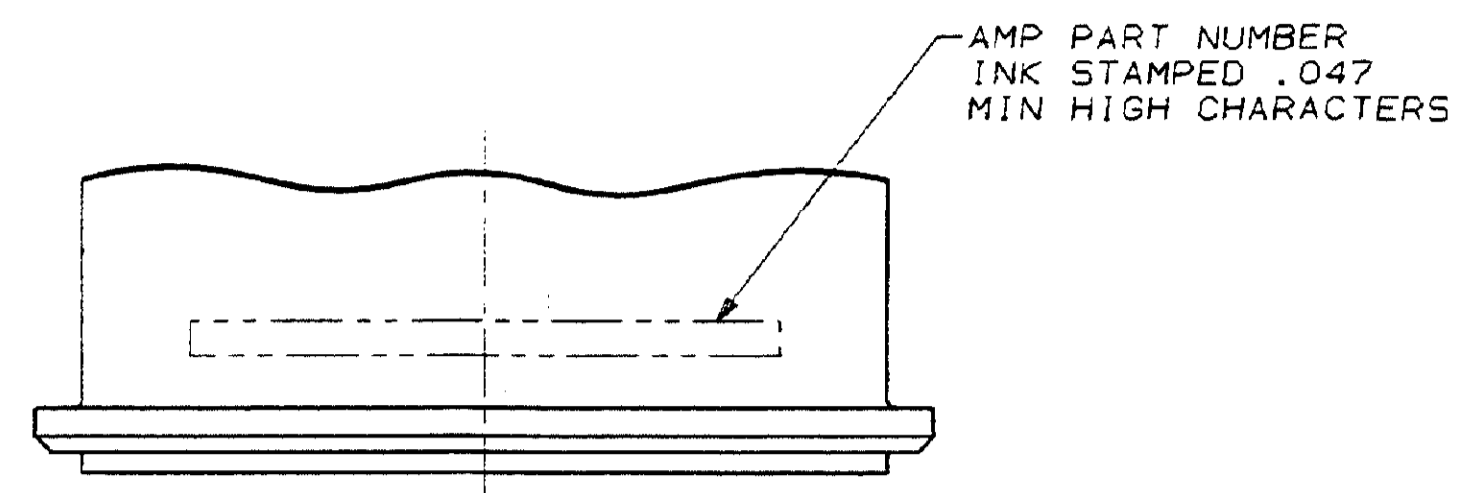
Tel: +86-755-8981 8866 Fax: +86-755-8427 6832

Email & Skype: info@chipsmall.com Web: www.chipsmall.com

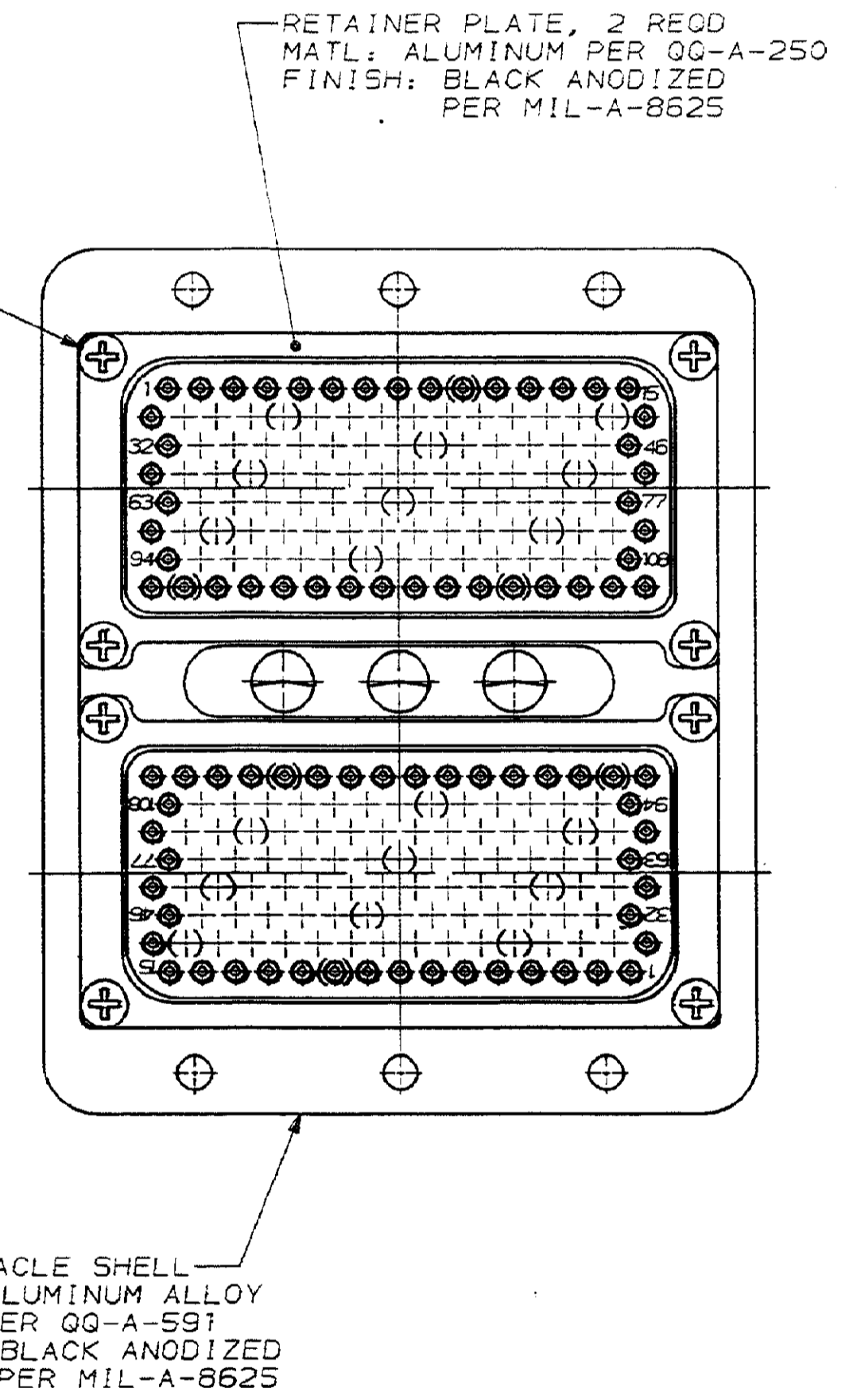
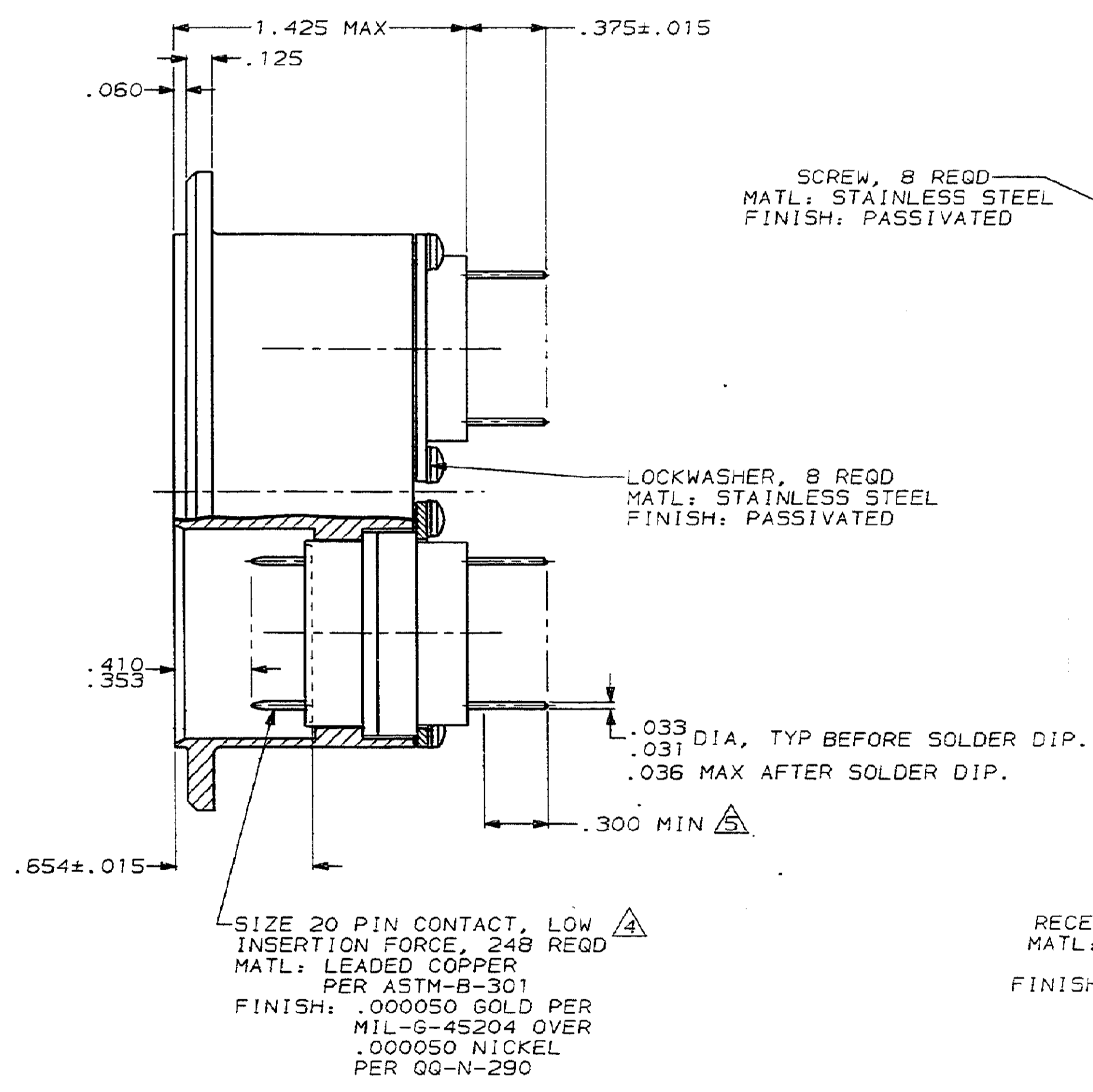
Address: A1208, Overseas Decoration Building, #122 Zhenhua RD., Futian, Shenzhen, China



PROJ		LOC	DIST	REVISIONS					
5048	DF	AO	P	F	ZONE	LTR	DESCRIPTION	DATE	APPD
							0 RELEASED PER W.O.8-227F	8-25-88	EH
							A REV:DF-1277 & ADD -3,DF-1359 CT	1-23-89	-
							B REV PER DF-2478 JM	11-89	EH



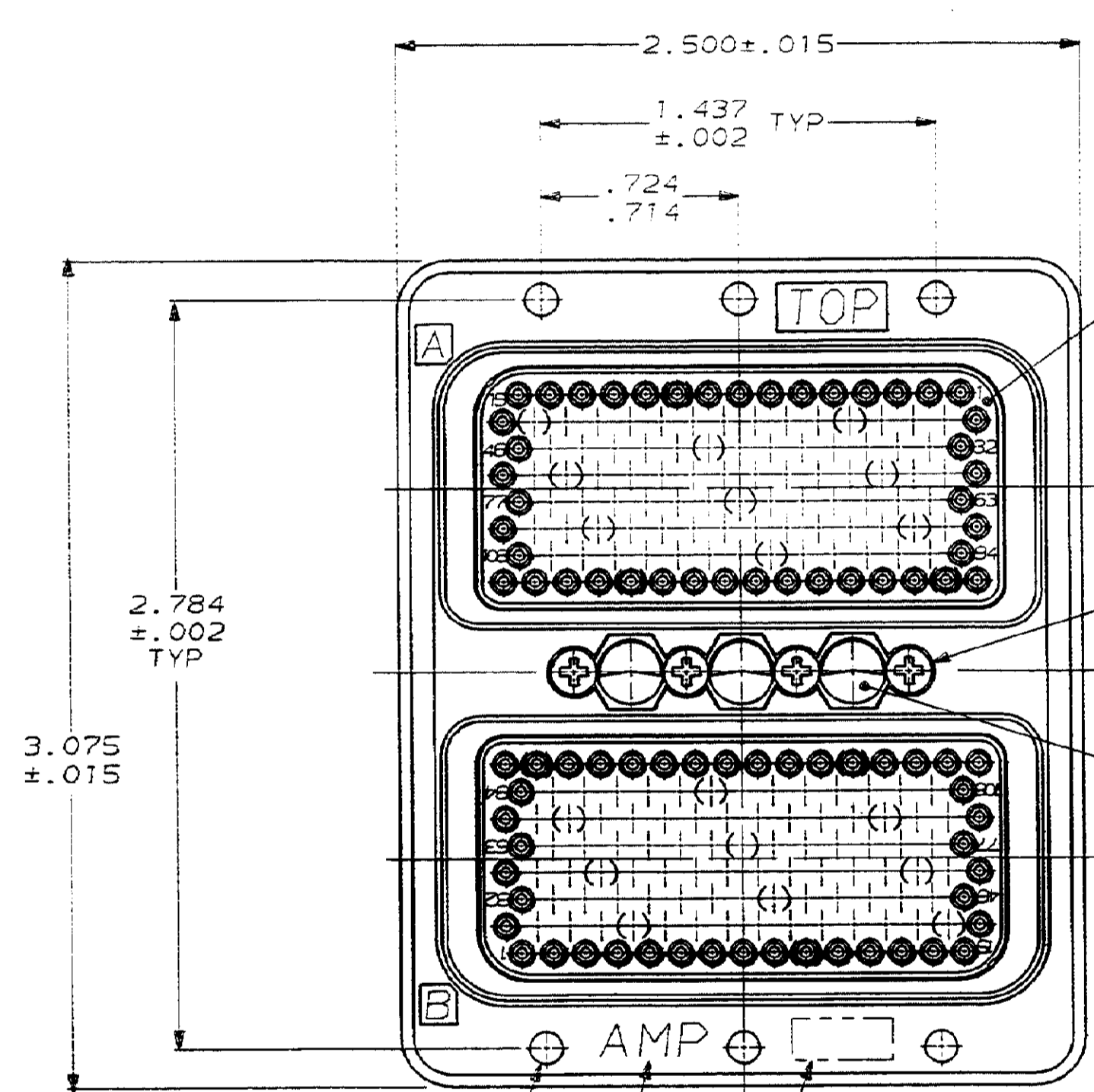
- PIN INSERT, 124 POSN, 2 REQD
MATL: EPOXY MLDG CMPD
COLOR: BLACK
FRONT INSERT GROMMET
MATL: SILICONE RUBBER
COLOR: RED
- SCREW, 4 REQD
MATL: STAINLESS STEEL
PER ASTM-A-582
FINISH: PASSIVATED
PER QQ-P-35
- POLARIZING KEY, 3 REQD
MATERIAL: ALUMINUM
PER QQ-A-200
FINISH: PLATED CADMIUM
PER QQ-P-416,
YELLOW CHROMATE



- THIS CONNECTOR MEETS ALL APPLICABLE SPECIFICATIONS OF MIL-C-81659.
- CONTACTS ARE RELEASED AND REMOVED FROM FRONT (MATING FACE) OF CONNECTOR.
- POLARIZING KEYS ARE ASSEMBLED IN POSITION 01.
- REPLACEMENT SOLDER DIPPED PIN CONTACT PART NUMBER IS 445544-3.
- CONTACT TAILS ARE SOLDER DIPPED OVER THIS LENGTH.
- REPLACEMENT SOLDER DIPPED PIN CONTACT PART NUMBER IS 445914-3.
- 445531-3 IS VAPOR PHASE SOLDERABLE.

SEE SHEET #2	445531-3
OBsolete AS SHOWN; SHEET #1	445531-1
DESCRIPTION	PART NO

DO NOT SCALE PRINT. UNLESS SPECIFIED DIMENSIONS IN INCHES TOLERANCES ON: 2 PLC DEC ± 3 PLC DEC ± .005 ANGLES ±	DR 8-25-88 B.YOHV CHK 8-25-88 B.YOHV APPD 8-25-88 DJM APPD 8-25-88 DJM PRODUCT SPEC - APPLICATION SPEC - WEIGHT	NAME DUAL RECEPTACLE CONNECTOR ASSEMBLY, ARINC 404, SIMILAR TO AD2R124P124P-6001 FRONT RELEASE/FRONT REMOVE SIZE D FSCM NO 00779 DRAWING NO 445531 SCALE 2:1 SHEET 1 OF 2
--	---	---



PIN INSERT, 124 POSN, 2 REQD
 MATL: EPOXY MLDG CMPD
 COLOR: BLACK

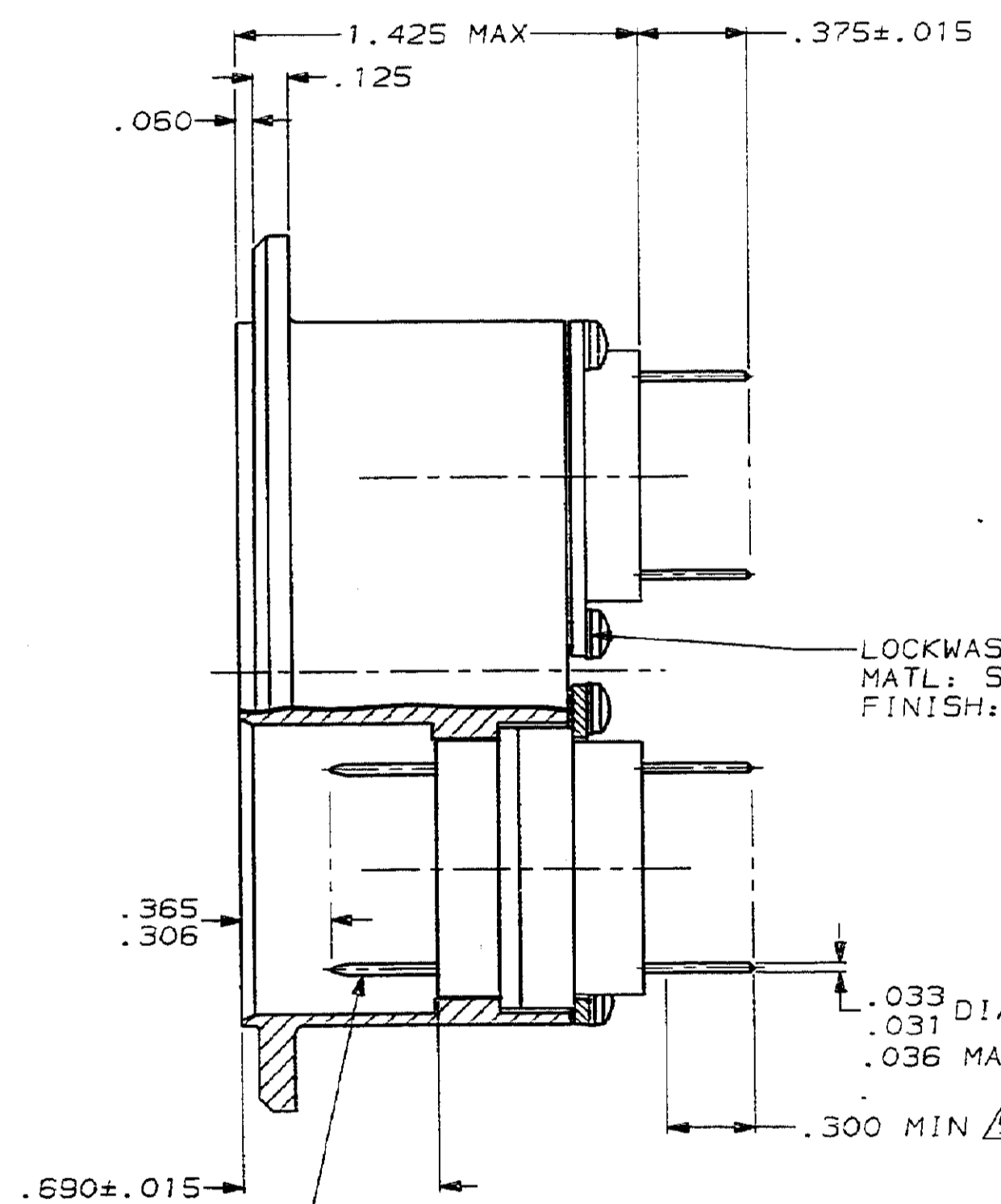
SCREW, 4 REQD
 MATL: STAINLESS STEEL
 PER ASTM-A-582
 FINISH: PASSIVATED
 PER QQ-P-35

POLARIZING KEY, 3 REQD
 MATERIAL: ALUMINUM
 PER QQ-A-200
 FINISH: PLATED CADMIUM
 PER QQ-P-416,
 YELLOW CHROMATE

.120 ± .002 DIA
 6 HOLES

AMP INK STAMPED
 .093 MIN HIGH LETTERS

DATE CODE INK STAMPED
 .047 MIN HIGH LETTERS

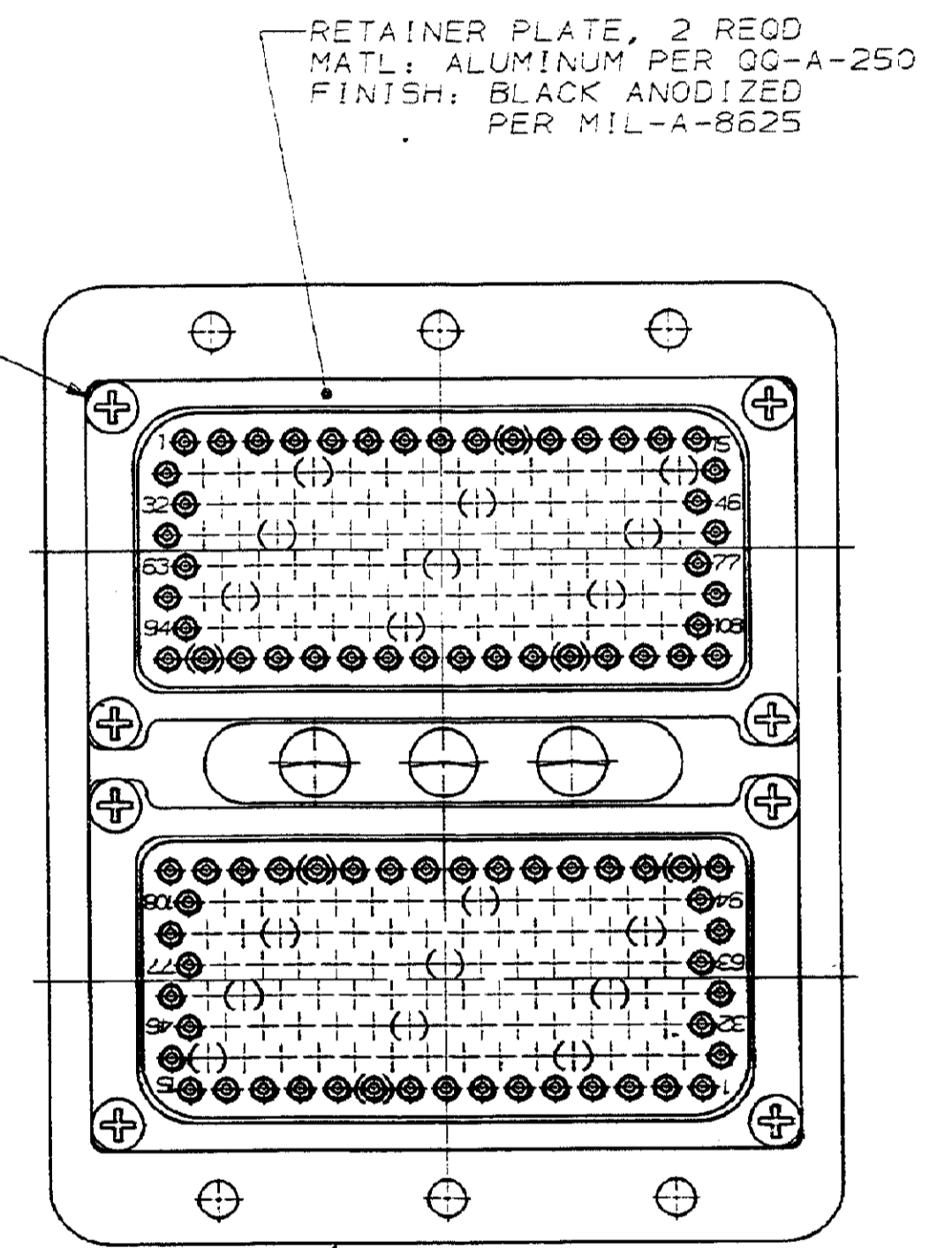


SIZE 20 PIN CONTACT, LOW
 INSERTION FORCE, 248 REQD
 MATL: LEADED COPPER
 PER ASTM-B-301
 FINISH: .000050 GOLD PER
 MIL-G-45204 OVER
 .000050 NICKEL
 PER QQ-N-290

LOCKWASHER, 8 REQD
 MATL: STAINLESS STEEL
 FINISH: PASSIVATED

SCREW, 8 REQD
 MATL: STAINLESS STEEL
 FINISH: PASSIVATED

.033 DIA, TYP BEFORE SOLDER DIP.
 .031
 .036 MAX AFTER SOLDER DIP.



RECEPTACLE SHELL
 MATL: ALUMINUM ALLOY
 PER QQ-A-591
 FINISH: BLACK ANODIZED
 PER MIL-A-8625

RETAINER PLATE, 2 REQD
 MATL: ALUMINUM PER QQ-A-250
 FINISH: BLACK ANODIZED
 PER MIL-A-8625

AS SHOWN, SHEET #2	445531-3
SEE SHEET #1	445531-1
DESCRIPTION	PART NO

DO NOT SCALE PRINT. UNLESS SPECIFIED DIMENSIONS IN INCHES TOLERANCES ON: 2 PLC DEC ± .005 3 PLC DEC ± .005 ANGLES ± .005	DR 1-23-89 C. THOMAS CHK 1-31-89 E. HOWARD APPD 1-31-89 E. HOWARD APPD 2-1-89 D. J. M.
MATERIAL	PRODUCT SPEC
SEE CALLOUTS	-
FINISH	APPLICATION SPEC
SEE CALLOUTS	-
WEIGHT	-

AMP AMP INCORPORATED Morgantown, Pa. 17105	
NAME DUAL RECEPTACLE CONNECTOR ASSEMBLY, ARINC 404, SIMILAR TO A02R124P124P-6001 FRONT RELEASE/FRONT REMOVE	
SIZE D	FSCM NO 00779
SCALE 2:1	DRAWING NO 445531
	SHEET 2 OF 2