



Chipsmall Limited consists of a professional team with an average of over 10 year of expertise in the distribution of electronic components. Based in Hongkong, we have already established firm and mutual-benefit business relationships with customers from,Europe,America and south Asia,supplying obsolete and hard-to-find components to meet their specific needs.

With the principle of "Quality Parts,Customers Priority,Honest Operation,and Considerate Service",our business mainly focus on the distribution of electronic components. Line cards we deal with include Microchip,ALPS,ROHM,Xilinx,Pulse,ON,Everlight and Freescale. Main products comprise IC,Modules,Potentiometer,IC Socket,Relay,Connector.Our parts cover such applications as commercial,industrial, and automotives areas.

We are looking forward to setting up business relationship with you and hope to provide you with the best service and solution. Let us make a better world for our industry!



Contact us

Tel: +86-755-8981 8866 Fax: +86-755-8427 6832

Email & Skype: info@chipsmall.com Web: www.chipsmall.com

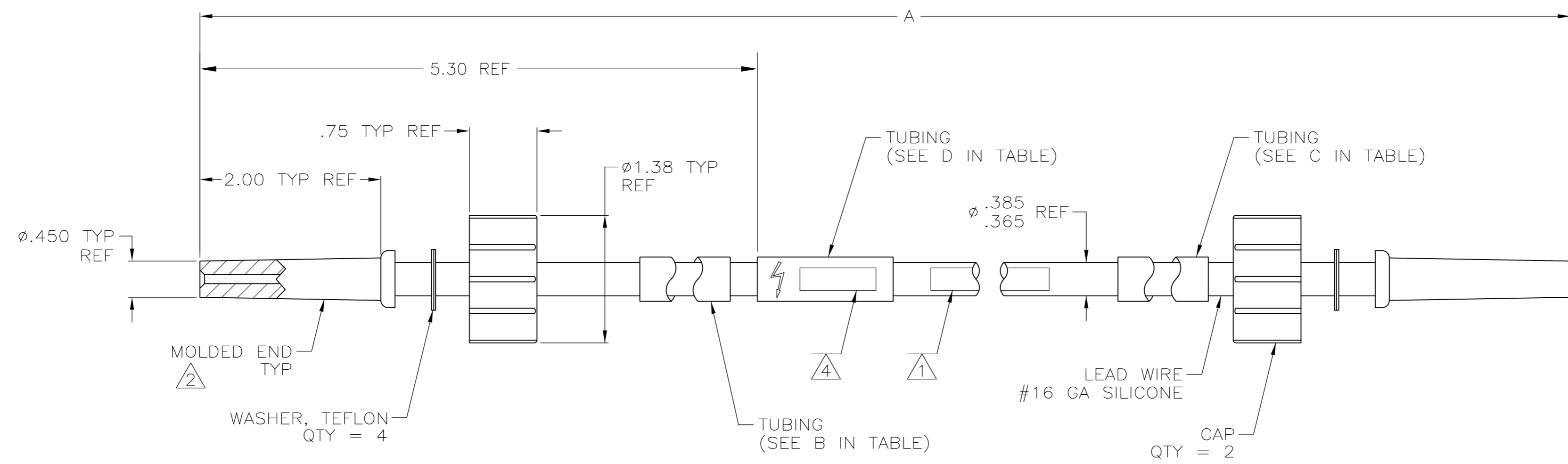
Address: A1208, Overseas Decoration Building, #122 Zhenhua RD., Futian, Shenzhen, China



THIS DRAWING IS UNPUBLISHED. RELEASED FOR PUBLICATION - N/A .
 © COPYRIGHT N/A By - ALL RIGHTS RESERVED.

LOC	DIST	REVISIONS					
DF	S0	P	LTR	DESCRIPTION	DATE	DWN	APVD
		C		REV PER ECO-11-013601	15JUL11	PY	DE

- ① MARKED PER MIL-STD-130.
- ② TO MATE WITH AMP LGH-4 RECEPTACLE WITH 2.00 BARREL DEPTH.
- 3. COLOR OF LEAD WIRE: WHITE.
- ④ ERICSSON PART NUMBER (SEE TABLE).



RPM 517 920/4	YELLOW	ORANGE	ORANGE	18.00±.12	445555-3
RPM 517 920/3	YELLOW	BLUE	WHITE	18.00±.12	445555-2
RPM 517 920/2	YELLOW	BLUE	WHITE	24.00±.12	445555-1
ERICSSON P/N	D	C	B	A	PART NUMBER

THIS DRAWING IS A CONTROLLED DOCUMENT.		DWN T. SHUEY 25-AUG-88	TE TE Connectivity	
DIMENSIONS: INCHES		CHK M. GARDNER 08-SEP-88		
TOLERANCES UNLESS OTHERWISE SPECIFIED:		APVD M. GARDNER 08-SEP-88	NAME	
0 PLC ± -		PRODUCT SPEC	LEAD ASSEMBLY DOUBLE END LGH-4	
1 PLC ± -		APPLICATION SPEC	RESTRICTED TO	
2 PLC ± -		WEIGHT -	SIZE A2	CAGE CODE 00779
3 PLC ± -		MATERIAL -	DRAWING NO C=445555	REV C
4 PLC ± -		FINISH -	SCALE 1:1	SHEET 1 of 1
ANGLES ± -		CUSTOMER DRAWING		

445555