



Chipsmall Limited consists of a professional team with an average of over 10 year of expertise in the distribution of electronic components. Based in Hongkong, we have already established firm and mutual-benefit business relationships with customers from,Europe,America and south Asia,supplying obsolete and hard-to-find components to meet their specific needs.

With the principle of “Quality Parts,Customers Priority,Honest Operation,and Considerate Service”,our business mainly focus on the distribution of electronic components. Line cards we deal with include Microchip,ALPS,ROHM,Xilinx,Pulse,ON,Everlight and Freescale. Main products comprise IC,Modules,Potentiometer,IC Socket,Relay,Connector.Our parts cover such applications as commercial,industrial, and automotives areas.

We are looking forward to setting up business relationship with you and hope to provide you with the best service and solution. Let us make a better world for our industry!



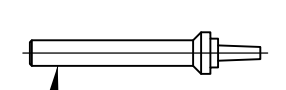
Contact us

Tel: +86-755-8981 8866 Fax: +86-755-8427 6832

Email & Skype: info@chipsmall.com Web: www.chipsmall.com

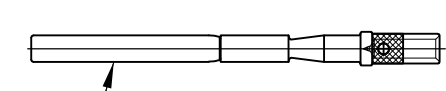
Address: A1208, Overseas Decoration Building, #122 Zhenhua RD., Futian, Shenzhen, China



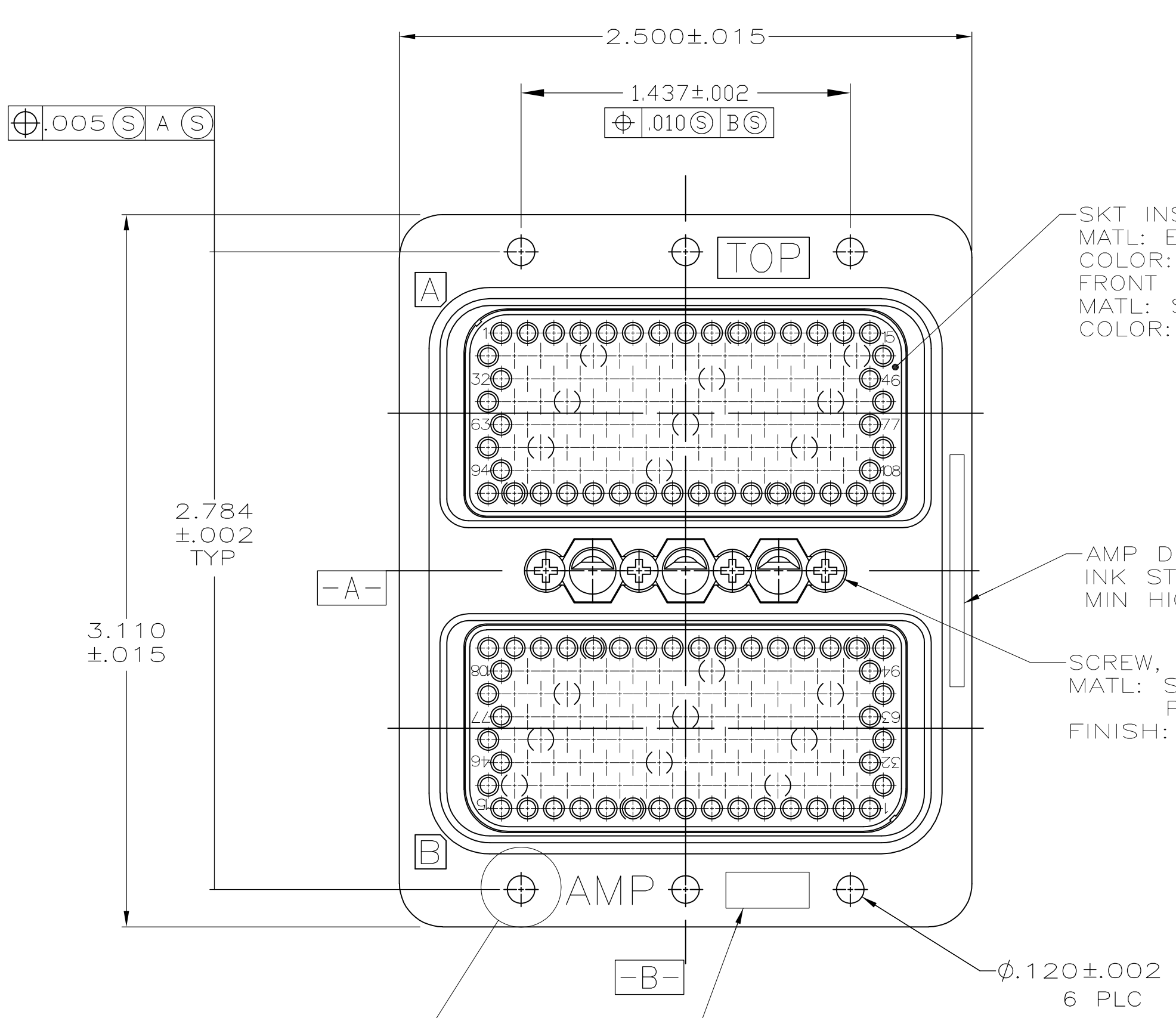
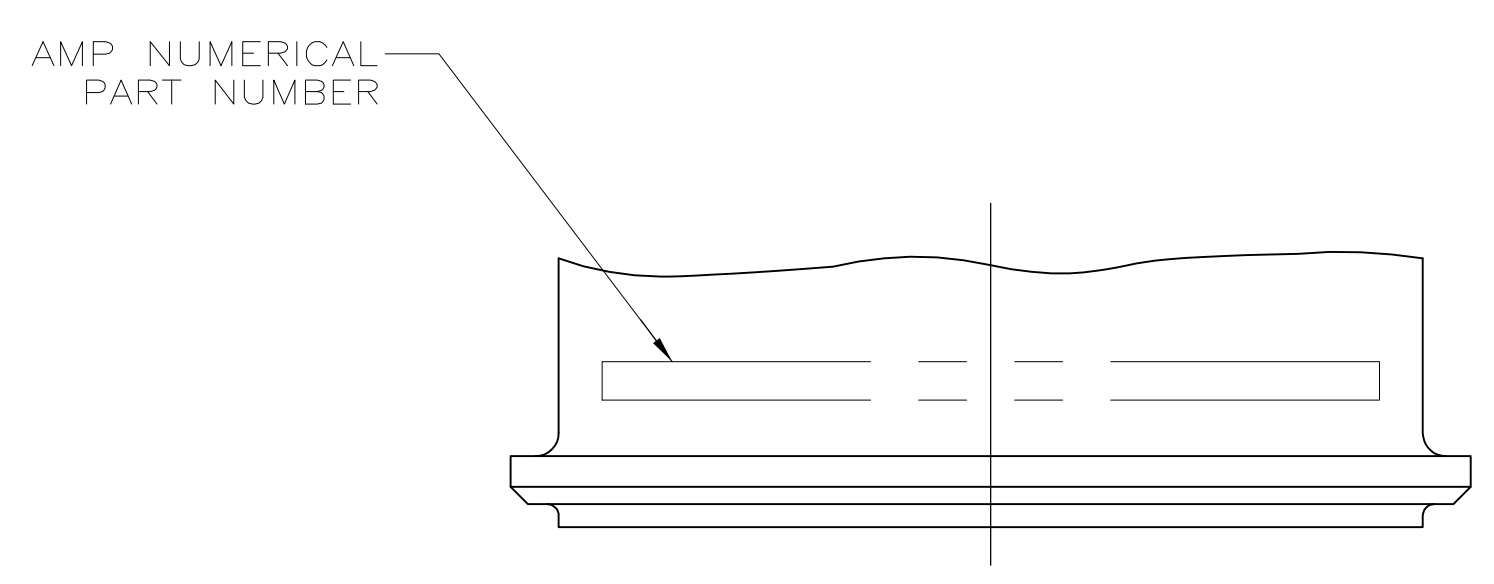


SIZE 20 SEALING PLUG, 37 SUPPLIED
MATL: NYLON PER MIL-M-20693
COLOR: RED

1. THIS CONNECTOR MEETS ALL APPLICABLE SPECIFICATIONS OF MIL-C-81659.
2. CONTACTS ARE RELEASED FROM FRONT AND REMOVED FROM REAR OF CONNECTOR.
3. POLARIZING KEYS ARE ASSEMBLED IN POSITION 01; (445595-1 THRU -6)
4. REPLACEMENT SOCKET CONTACT ASSY PART NUMBER IS 445591-1.
5. CONTACTS AND SEALING PLUGS ARE NOT INSTALLED. PACKAGED BULK IN SEPARATE BAGS.
6. FLOATING BUSHING, IN 4 CORNER MOUNTING HOLES, 4 REQUIRED
MATERIAL: STAINLESS STEEL
FINISH: PASSIVATED
7. WITHOUT CONTACTS
8. WITHOUT CONTACTS AND SEALING PLUGS
9. POLARIZING KEYS ARE ASSEMBLED IN POSITION 05; (445595-7 ONLY)



SIZE 20 SOCKET CONTACT ASSY. 4
LOW INSERTION FORCE,
248 REQD - 273 SUPPLIED
COLOR CODED BROWN
SEE DWG 445591



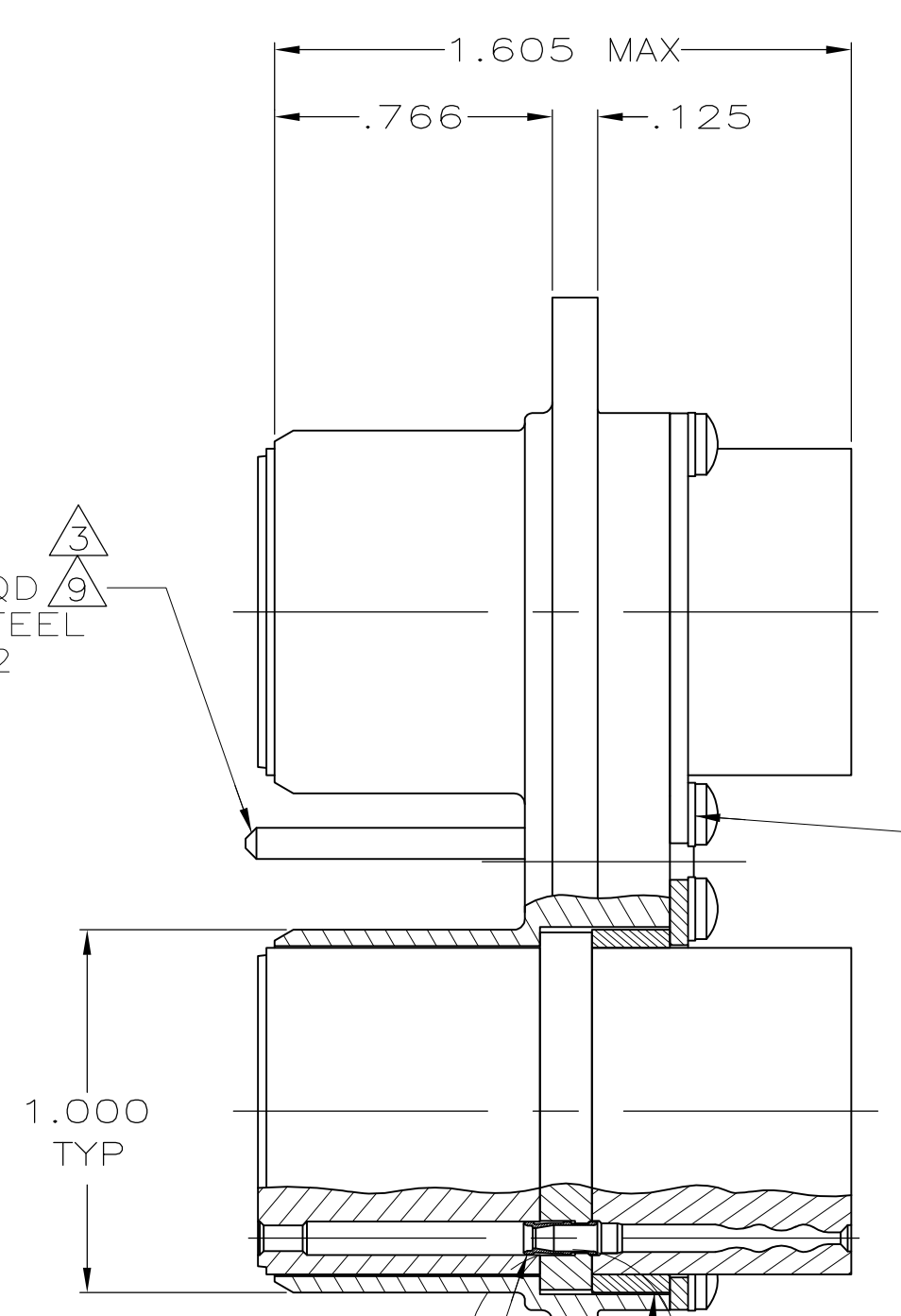
SKT INSERT, 124 POSN, 2 REQD
MATL: EPOXY MLDG CMPD
COLOR: BLACK
FRONT INSERT & REAR GROMMET
MATL: SILICONE RUBBER
COLOR: RED

POLARIZING POST, 3 REQD 3
MATERIAL: STAINLESS STEEL
PER ASTM-A-582
FINISH: PASSIVATED
PER QQ-P-35

AMP DESCRIPTIVE PART NUMBER
INK STAMPED .047
MIN HIGH CHARACTERS

SCREW, 4 REQD
MATL: STAINLESS STEEL
PER ASTM-A-582
FINISH: PASSIVATED
PER QQ-P-35

DATE CODE INK STAMPED
.047 MIN HIGH LETTERS



SIZE 20 RETAINING COLLET, 248 REQD
MATL: BERYLLIUM COPPER
PER QQ-C-530

SPACER, 4 REQD
MATL: ALUMINUM
PER QQ-A-250
FINISH: BLACK ANODIZED
PER MIL-A-8625

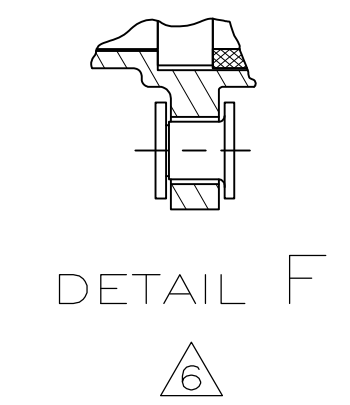
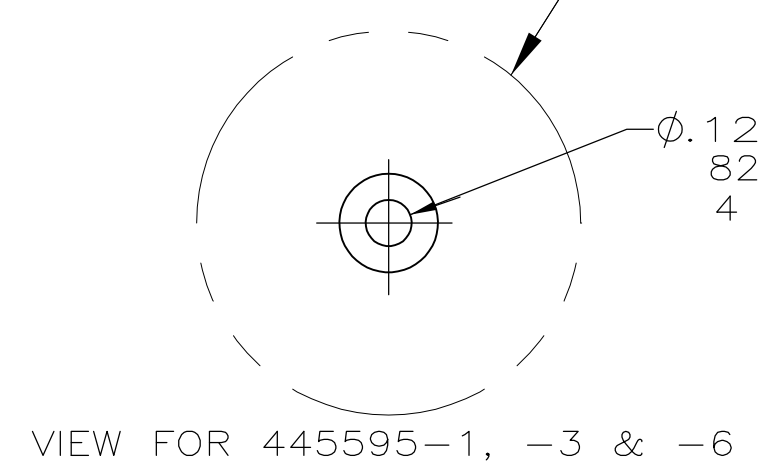
SCREW, 8 REQD
MATL: STAINLESS STEEL
FINISH: PASSIVATED

LOCKWASHER, 8 REQD
MATL: STAINLESS STEEL
FINISH: PASSIVATED

RETAINER PLATE, 2 REQD
MATL: ALUMINUM PER QQ-A-250
FINISH: BLACK ANODIZED
PER MIL-A-8625

PLUG SHELL
MATL: ALUMINUM ALLOY
PER QQ-A-591
FINISH: BLACK ANODIZED
PER MIL-A-8625

BD2P124S124S-8805	3 6 8 9	445595-7
BD2P124S124S-8001	3 6 8	445595-6
BD2P124S124S-8801	3 6 8	445595-5
BD2P124S124S-8801	3 6 8	445595-4
BD2P124S124S-8001	3 6 8	445595-3
BD2P124S124S-8801	3 445595-1 6	445595-2
BD2P124S124S-8001	3 AS SHOWN	445595-1
AMP DESCRIPTIVE NO.	DESCRIPTION	PART NUMBER



THIS DRAWING IS A CONTROLLED DOCUMENT.

DIMENSIONS: INCHES	TOLERANCES UNLESS OTHERWISE SPECIFIED:	0 PLC ± -	1 PLC ± -	2 PLC ± -	3 PLC ± .005	4 PLC ± -	ANGLES ± -
MATERIAL SEE CALLOUTS	FINISH SEE CALLOUTS	WEIGHT	SCALE	SIZE	CAGE CODE	DRAWING NO	RESTRICTED TO
			2:1	A1	00779	445595	1 OF 1

CUSTOMER DRAWING

STE TE Connectivity

DUAL PLUG CONNECTOR KIT, ARINC404, BD2P124S124S SERIES, FRONT RELEASE/REAR REMOVE