



Chipsmall Limited consists of a professional team with an average of over 10 year of expertise in the distribution of electronic components. Based in Hongkong, we have already established firm and mutual-benefit business relationships with customers from,Europe,America and south Asia,supplying obsolete and hard-to-find components to meet their specific needs.

With the principle of “Quality Parts,Customers Priority,Honest Operation,and Considerate Service”,our business mainly focus on the distribution of electronic components. Line cards we deal with include Microchip,ALPS,ROHM,Xilinx,Pulse,ON,Everlight and Freescale. Main products comprise IC,Modules,Potentiometer,IC Socket,Relay,Connector.Our parts cover such applications as commercial,industrial, and automotives areas.

We are looking forward to setting up business relationship with you and hope to provide you with the best service and solution. Let us make a better world for our industry!



## Contact us

Tel: +86-755-8981 8866 Fax: +86-755-8427 6832

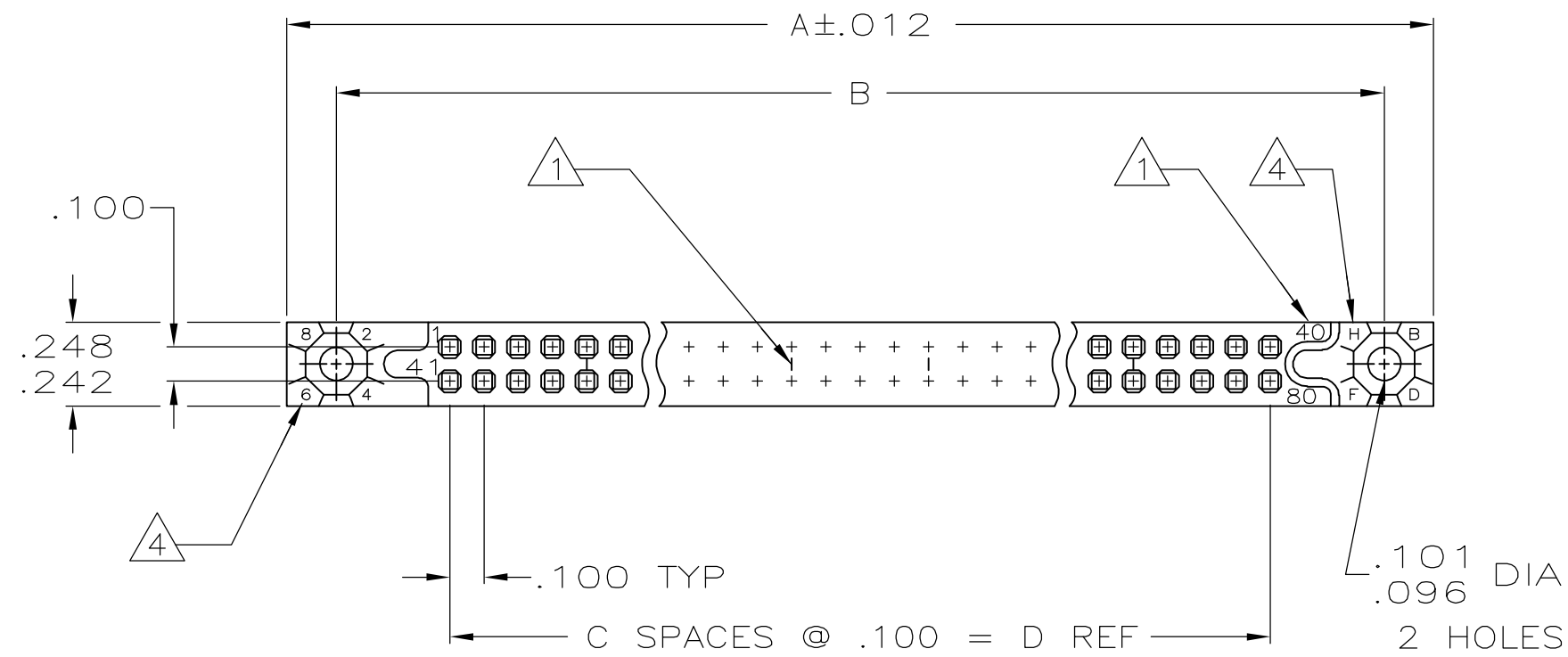
Email & Skype: info@chipsmall.com Web: www.chipsmall.com

Address: A1208, Overseas Decoration Building, #122 Zhenhua RD., Futian, Shenzhen, China

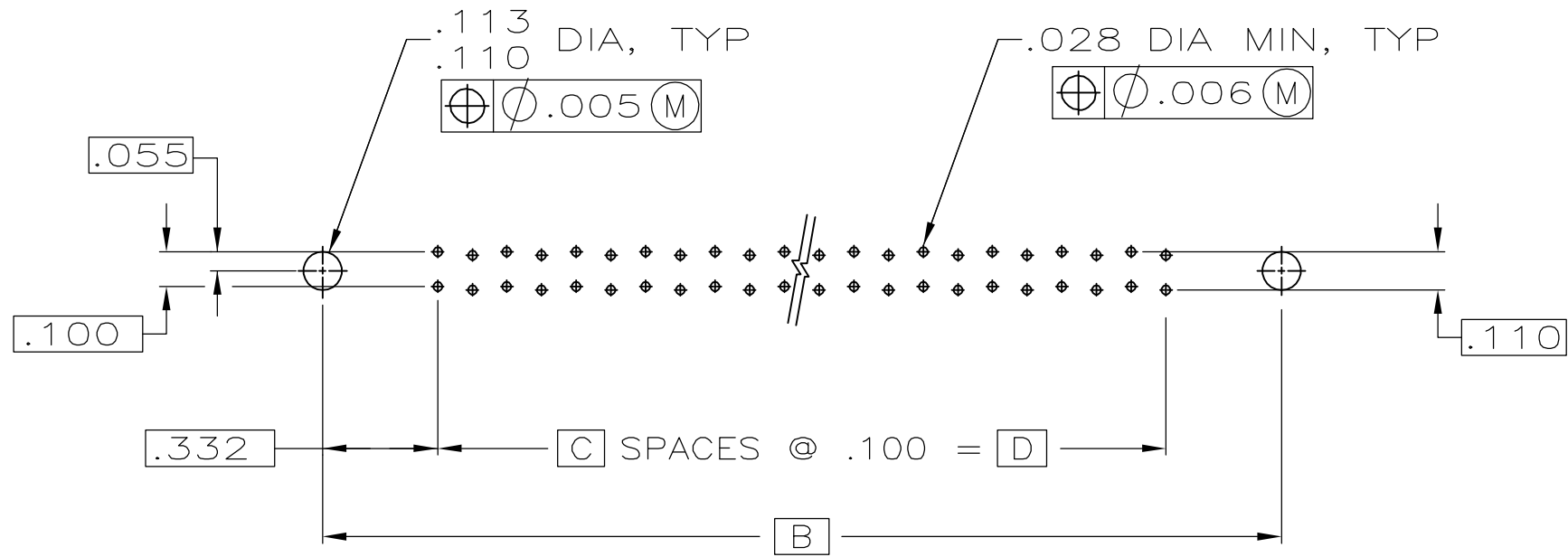
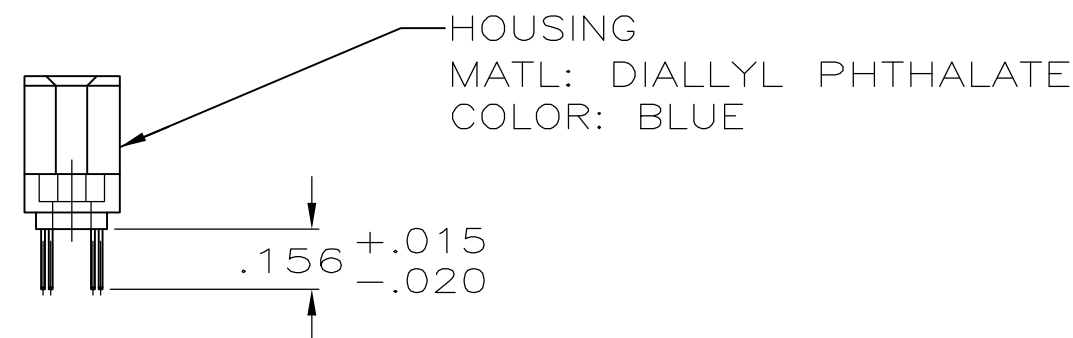
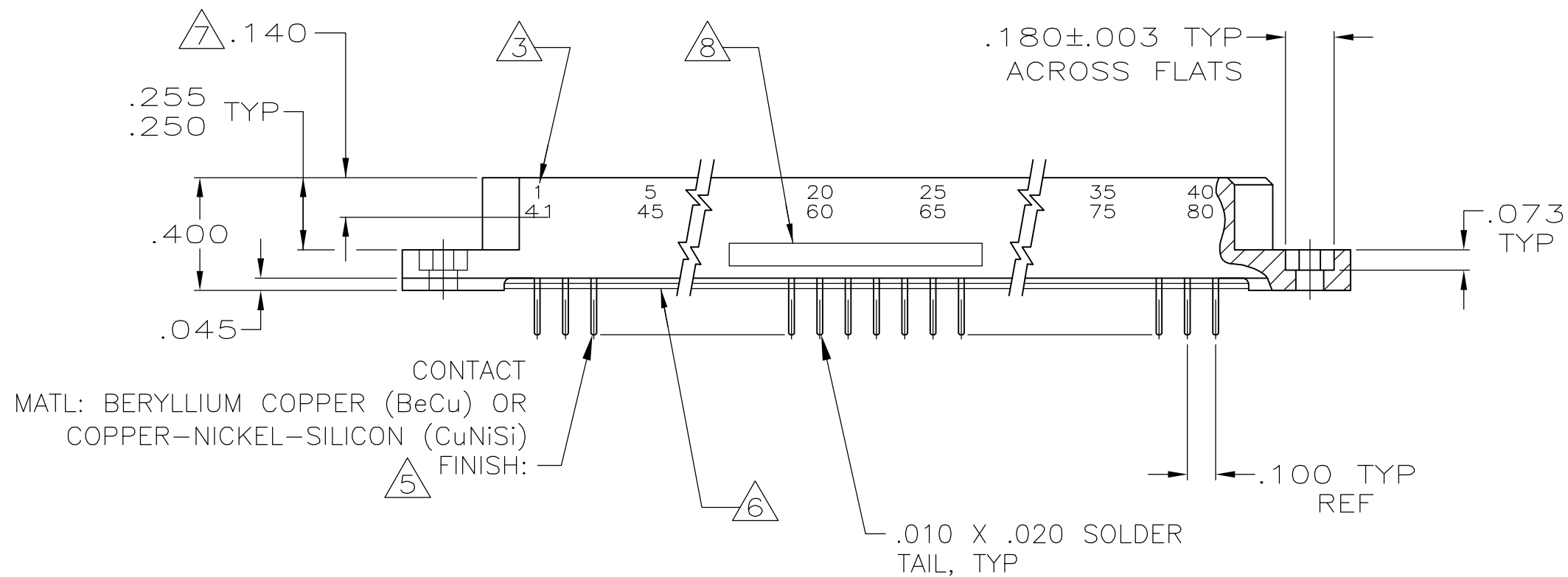


THIS DRAWING IS UNPUBLISHED. RELEASED FOR PUBLICATION  
 © COPYRIGHT BY TYCO ELECTRONICS CORPORATION. ALL RIGHTS RESERVED.

LOC	DIST	REVISIONS					
DF	F0	P	LTR	DESCRIPTION	DATE	DWN	APVD
		B		REV PER ECO 05-013558	12DEC05	VF	CT



- ① CAVITY IDENT NUMBERS (PER TABLE) AND LINES INDICATING EVERY FIVE CAVITIES MARKED ON MATING FACE.
- ② CONNECTOR MEETS ALL APPLICABLE REQUIREMENTS OF MIL-C-55302.
- ③ NUMBERS INDICATING EVERY FIVE CAVITIES MARKED ON SIDE.
- ④ KEY POSITION IDENTIFICATIONS MOLDED ON SURFACES SHOWN.
- ⑤ FINISH: PLATED GOLD .000050 THK IN CONTACT AREA WITH A POINT OF PLATING THICKNESS MEASUREMENT .135 FROM MATING END OF CONTACT; TAILS PLATED TIN-LEAD .000100 THK; ALL OVER NICKEL .000030 THK.
- ⑥ EPOXY SEALANT ADDED TO BOTTOM OF HOUSING.
- ⑦ MAX DEPTH OF CONTACT POINT.
- ⑧ AMP, AMP PART NUMBER, AND DATE CODE MARKED.



RECOMMENDED P.C. BOARD LAYOUT  
(CONNECTOR SIDE)

1 41	40 80	3.900	39	4.565	4.855	80	445596-1
CAVITY IDENT ①		D	C	B	A	NO OF POSN	PART NUMBER
DIMENSIONS							

THIS DRAWING IS A CONTROLLED DOCUMENT.		DWN C.C.THOMAS 10-26-88	Tyco Electronics Corporation Harrisburg, PA 17105-3608	
DIMENSIONS: INCHES		CHK JAMES P. SCHOLTZ 11-1-88	NAME RECEPTACLE ASSEMBLY, 1000 SERIES BOX. .010 X .020 POSTED CONTACTS, .156 TAIL LENGTH	
TOLERANCES UNLESS OTHERWISE SPECIFIED:		APVD G. GRIFFITH 11-1-88	PRODUCT SPEC	
0 PLC ± -		APPLICATION SPEC		
1 PLC ± -		WEIGHT -		
2 PLC ± -		SIZE A2		
3 PLC ± .005		CAGE CODE 00779		
4 PLC ± -		DRAWING NO C=445596		
ANGLES ± -		RESTRICTED TO		
FINISH		SCALE 2:1		
SEE CALLOUTS		SHEET 1 of 1		
CUSTOMER DRAWING		REV B		