



Chipsmall Limited consists of a professional team with an average of over 10 year of expertise in the distribution of electronic components. Based in Hongkong, we have already established firm and mutual-benefit business relationships with customers from,Europe,America and south Asia,supplying obsolete and hard-to-find components to meet their specific needs.

With the principle of “Quality Parts,Customers Priority,Honest Operation,and Considerate Service”,our business mainly focus on the distribution of electronic components. Line cards we deal with include Microchip,ALPS,ROHM,Xilinx,Pulse,ON,Everlight and Freescale. Main products comprise IC,Modules,Potentiometer,IC Socket,Relay,Connector.Our parts cover such applications as commercial,industrial, and automotives areas.

We are looking forward to setting up business relationship with you and hope to provide you with the best service and solution. Let us make a better world for our industry!



## Contact us

Tel: +86-755-8981 8866 Fax: +86-755-8427 6832

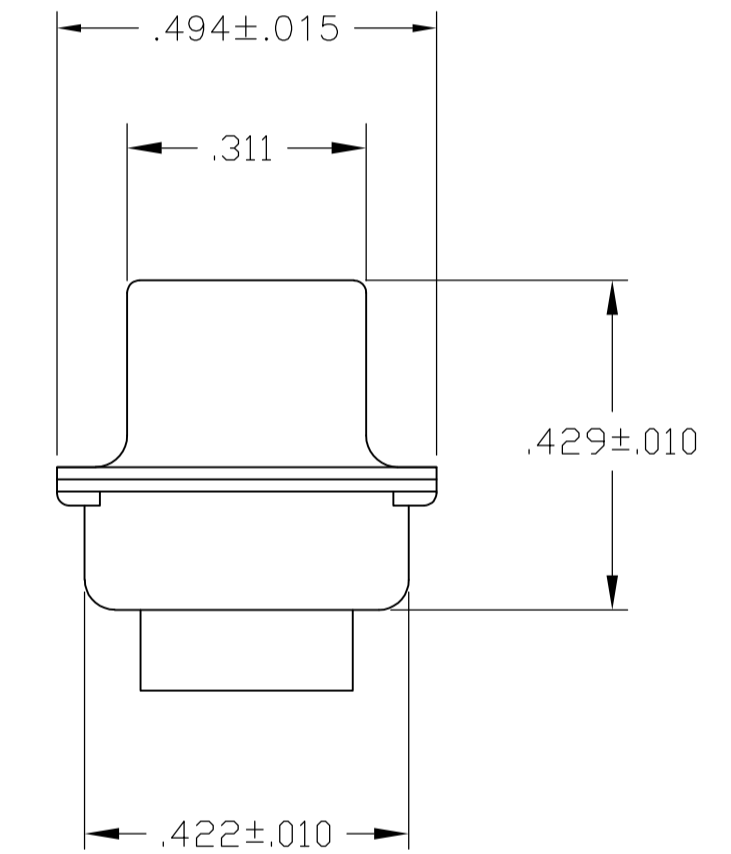
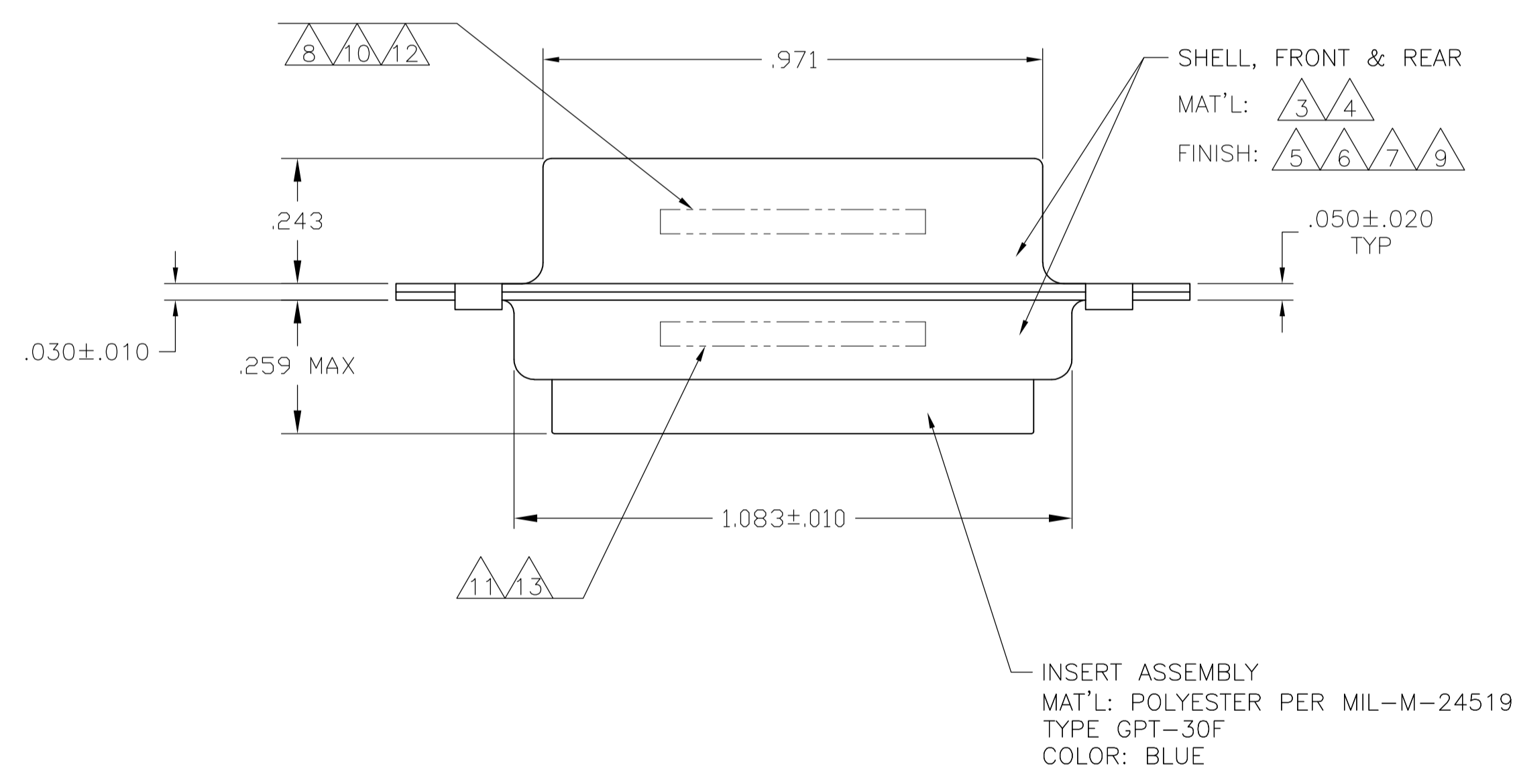
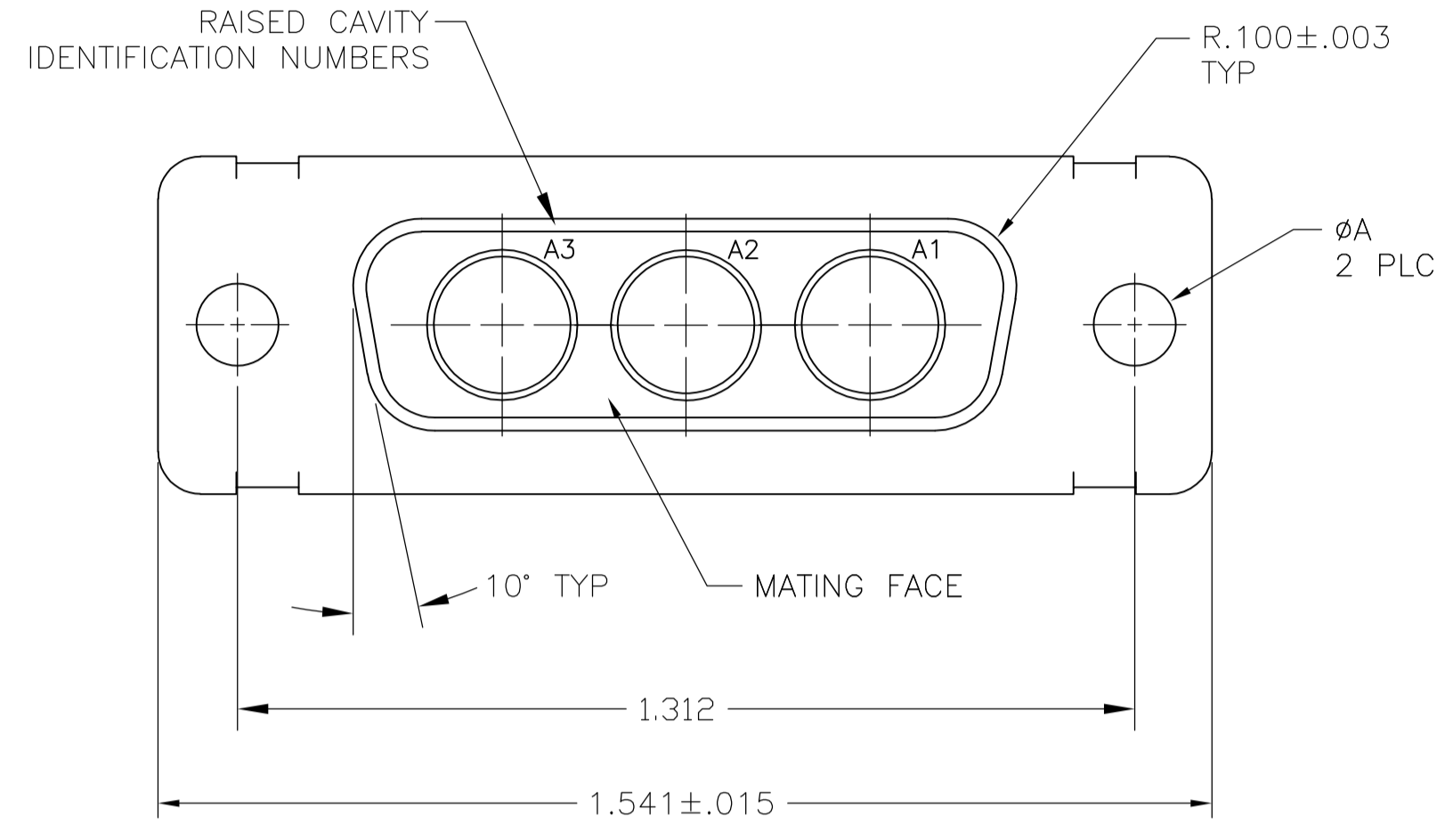
Email & Skype: info@chipsmall.com Web: www.chipsmall.com

Address: A1208, Overseas Decoration Building, #122 Zhenhua RD., Futian, Shenzhen, China



LOC		DIST		REVISIONS			
P	LTR	DESCRIPTION	DATE	DNW	APVD		
V		REV PER ECO 12-004104	16MAR12	PY	RL		

- 1 THIS RECEPTACLE WILL MATE WITH ANY 3C3, SIZE 2 PLUG IN AMPLIMITE SERIES.
- 2 THIS CONNECTOR ACCEPTS (3) POWER 8, OR COAX SOCKET CONTACTS IN POSITIONS A1 THRU A3, PURCHASED SEPARATELY.
- 3 STEEL PER ASTM-A-109.
- 4 BRASS PER MIL-C-50 AND ASTM-B-36 UNS NO. C26000.
- 5 FINISH: TIN PER ASTM-B-545 .000400 MIN THK OVER COPPER PER AMS2418 .000050 MIN THK.
- 6 GOLD PLATED PER MIL-G-45204 TYPE II, GRADE C, CLASS 1 OVER COPPER PER MIL-C-14550, CLASS IV.
- 7 FINISH: PLATED CADMIUM PER QQ-P-416, TYPE II, CLASS 2, OVER COPPER PER MIL-C-14550, CLASS IV.
- 8 IF CUSTOMER PART NUMBER DOES NOT FIT ON FRONT SHELL NEAR SIDE, THEN SPLIT BETWEEN FRONT AND REAR SHELL FAR SIDE.
- 9 FINISH: ZINC PLATE PER ASTM-B-633 .000200-.000400 THK WITH SUPPLEMENTARY CHROMATE (Cr3+).
- 10 MANUFACTURER'S NAME, BRAND OR LOGO AND DATE CODE MARKED ON FAR SIDE. CUSTOMER PART NO MARKED ON NEAR SIDE
- 11 MFG'S PART NUMBER MARKED ON FAR SIDE
- 12 MARK DATE CODE AND CUSTOMER PART NUMBER, FAR SIDE
- 13 MARK MFG PART NUMBER ON NEAR SIDE



	3 9 10 11	.120	-	5-445705-4
	3 7 12 13	.120	T5935-0103-005	445705-8
	3 5 10 11	.120	-	445705-7
OBsolete	4 6 10 11	.120	A010942-0042	445705-6
	4 6 8 10 11	.120	B010942-0014	445705-5
	3 7 10 11	.120	-	445705-4
	4 6 8 10 11	.154	311P405-7S-B-15	445705-3
	4 6 8 10 11	.120	311P405-7S-B-12	445705-2
	3 5 10 11	.120	-	445705-1
REMARKS	øA	CUSTOMER PART NO.	PART NO.	

THIS DRAWING IS A CONTROLLED DOCUMENT.

DIMENSIONS: INCHES	TOLERANCES UNLESS OTHERWISE SPECIFIED:	DIN C.C.THOMAS 01NOV88	TE Connectivity
0 PLC ± -	1 PLC ± -	CHK A.FMADI 02NOV88	APVD A.FMADI 02NOV88
2 PLC ± -	3 PLC ± .005	NAME	RECEPTACLE ASSEMBLY
4 PLC ± -	ANGLES ± 0° 30'	PRODUCT SPEC	AMPLIMITE 3C3
MATERIAL SEE TABLE	FINISH SEE TABLE	APPLICATION SPEC	SIZE 2, SERIES 109, COAX MIX
		WEIGHT	SIZE A1
		CUSTOMER DRAWING	00779C=445705
		SCALE 4:1	SHEET 1 OF 1