



Chipsmall Limited consists of a professional team with an average of over 10 year of expertise in the distribution of electronic components. Based in Hongkong, we have already established firm and mutual-benefit business relationships with customers from,Europe,America and south Asia,supplying obsolete and hard-to-find components to meet their specific needs.

With the principle of “Quality Parts,Customers Priority,Honest Operation,and Considerate Service”,our business mainly focus on the distribution of electronic components. Line cards we deal with include Microchip,ALPS,ROHM,Xilinx,Pulse,ON,Everlight and Freescale. Main products comprise IC,Modules,Potentiometer,IC Socket,Relay,Connector.Our parts cover such applications as commercial,industrial, and automotives areas.

We are looking forward to setting up business relationship with you and hope to provide you with the best service and solution. Let us make a better world for our industry!



Contact us

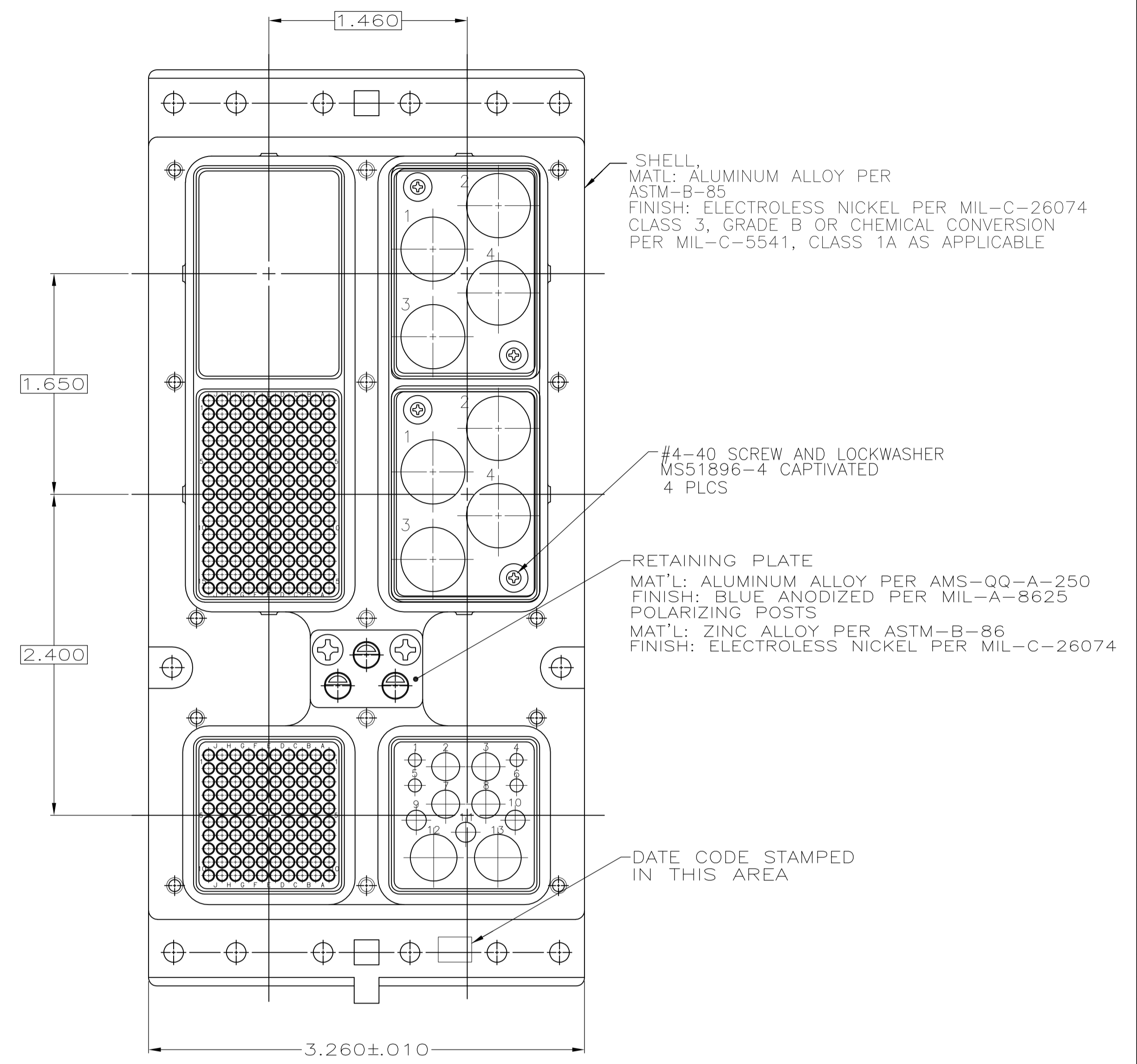
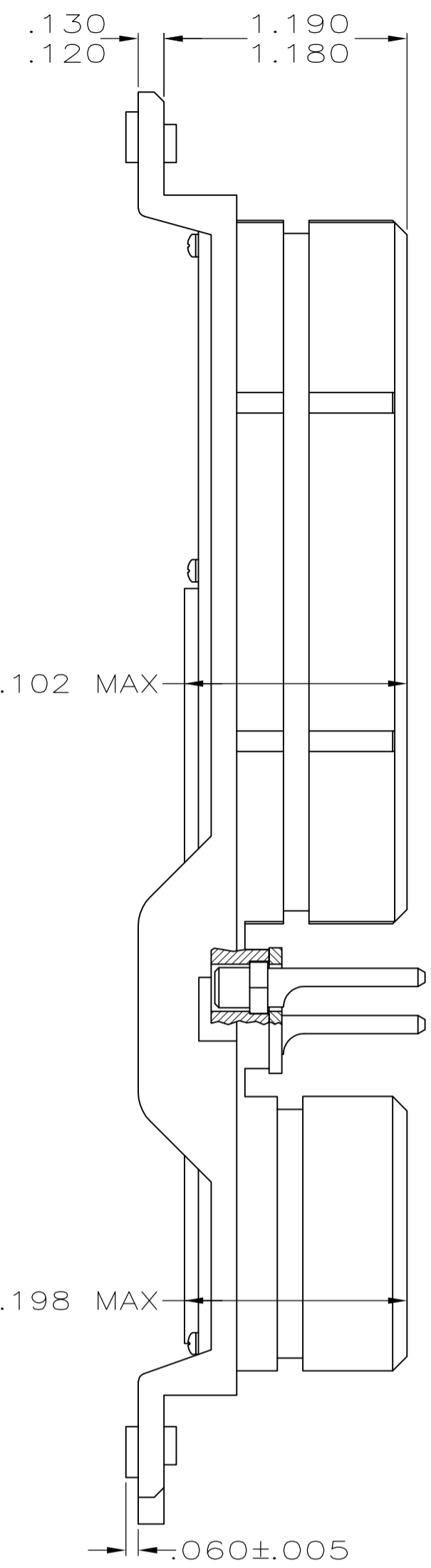
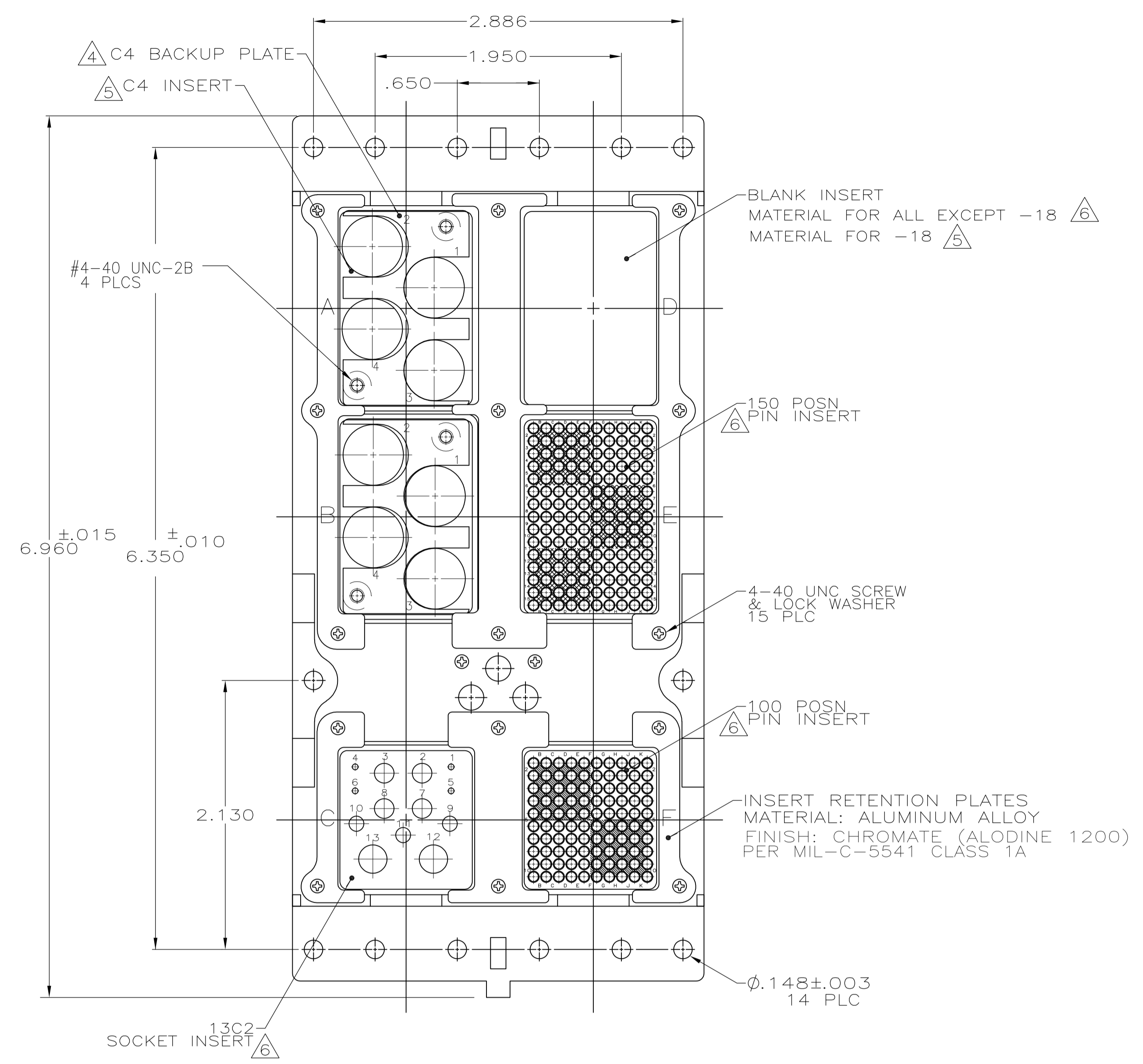
Tel: +86-755-8981 8866 Fax: +86-755-8427 6832

Email & Skype: info@chipsmall.com Web: www.chipsmall.com

Address: A1208, Overseas Decoration Building, #122 Zhenhua RD., Futian, Shenzhen, China



REVISONS		DATE	BY	APPV
LOC	DIST			
V	REV PER ECO-07-027931	27NOV07	PY	KT



PRELIMINARY NOT RELEASED FOR PRODUCTION

- CONTACTS ARE INCLUDED IN A CONTAINER WITHIN THE CONNECTOR PACKAGE WHEN CONNECTOR IS ORDERED WITH CONTACTS.
- ALL CONTACT CAVITIES IN MODULES E & F TO BE LOCATED WITHIN .006 TRUE POSITION DIA. ALL CONTACT CAVITIES IN MODULES A, B & C TO BE LOCATED WITHIN .020 TRUE POSITION DIA.
- POLARIZING KEYS SHOWN IN POSITION 01 FOR ILLUSTRATION ONLY. CONNECTORS SHIPPED WITH KEYING PER ORDERING INSTRUCTIONS.
- C4 BACKUP PLATES & SCREWS ARE ASSEMBLED TO CONNECTOR.
- INSERT MATERIAL: MACHINED ALUMINUM INSERT FINISH: PER MIL-C-5541.
- INSERT MATERIAL: THERMOSET
- C4 BACKUP PLATES ALLOWED COAX TO ROTATE IN CONTACT CAVITY.

DESCRIPTION NO.	DESCRIPTION	PART NO.
NIC66K36C40CD0	KEYED 40, SEMI-ENVIRONMENTAL W/CONTACTS, W/CLINCH NUTS	1-445717-9
SPECIAL	W/ DUSTCOVERS, KEYED 40, NON ENVIRONMENTAL, W/ SIGNAL AND POWER CONTACTS INCLUDED W/COAX CONTACTS (2 SIZE 5 225791-2 & 8 SIZE 1 446549-5)	1-445717-8
NIC66K36C40CD1	KEYED 40, SEMI-ENVIRONMENTAL, W/O CONTACTS, W/CLINCH NUTS	1-445717-7
SPECIAL	W/ DUSTCOVERS, KEYED 40, NON ENVIRONMENTAL, W/O COAX CONTACTS W/OTHER CONTACTS.	1-445717-6
NIC66K36A40SC1	KEYED 40, NON-ENVIR, W/ CONTACTS, W/(8) 6-32 CLINCH NUTS	1-445717-5
-	PRELIMINARY PART NUMBER	1-445717-4
NIC66K36C01CD1	CUSTOMER RESTRICTED - SEE CUSTOMER DWG. 1-445717-3	1-445717-3
SPECIAL	KEYED 40, SEMI-ENVIR WITH CONTACTS, SPECIAL C4 PLATES	1-445717-2
NIC66K36C40CD1	CUSTOMER RESTRICTED - SEE CUSTOMER DWG. 1-445717-1	1-445717-1
SPECIAL	KEYED 40, NON ENVIR WITH CONTACTS, NO COAX	1-445717-0
SPECIAL	BACC66N01	445717-9
SPECIAL	KEYED 40, SEMI-ENVIR, WITH POWER CONTACTS, STD MTG	445717-8
SPECIAL	CUSTOMER RESTRICTED	445717-7
NIC66K36A40SC1	KEYED 40, NON-ENVIR, W/O CONTACTS, W/(10) 4-40 CLINCH NUTS	445717-6
NIC66K36A40CD1	KEYED 40, NON-ENVIR, W/O CONTACTS, W/(8) 6-32 CLINCH NUTS	445717-5
-	KEYED 40, NON-ENVIR, W/CONTACTS, W/O COAX, W/O CLINCH NUTS	445717-4
NIC66K36A40AA1	KEYED 40, NON ENVIRONMENTAL, W/O CONTACTS	445717-3
NIC66K36C40AA0	KEYED 40, SEMI-ENVIRONMENTAL, W/O COAX, W/CONTACTS	445717-2
NIC66K36C40AA1	KEYED 40, SEMI-ENVIRONMENTAL, W/O CONTACTS	445717-1

THIS DRAWING IS A CONTROLLED DOCUMENT.

DIMENSIONS: INCHES	TOLERANCES UNLESS OTHERWISE SPECIFIED:	0 PLC ± .005	1 PLC ± .005	2 PLC ± .005	3 PLC ± .005	4 PLC ± .005	ANGLES ± .005
MATERIAL SEE CALLOUTS	FINISH SEE CALLOUTS	WEIGHT	SIZE	CAGE CODE	DRAWING NO.	RESTRICTED TO	
			A1	00779	445717		

CUSTOMER DRAWING SCALE 1:1 SHEET 1 OF 1 REV V