



Chipsmall Limited consists of a professional team with an average of over 10 year of expertise in the distribution of electronic components. Based in Hongkong, we have already established firm and mutual-benefit business relationships with customers from,Europe,America and south Asia,supplying obsolete and hard-to-find components to meet their specific needs.

With the principle of “Quality Parts,Customers Priority,Honest Operation,and Considerate Service”,our business mainly focus on the distribution of electronic components. Line cards we deal with include Microchip,ALPS,ROHM,Xilinx,Pulse,ON,Everlight and Freescale. Main products comprise IC,Modules,Potentiometer,IC Socket,Relay,Connector.Our parts cover such applications as commercial,industrial, and automotives areas.

We are looking forward to setting up business relationship with you and hope to provide you with the best service and solution. Let us make a better world for our industry!



Contact us

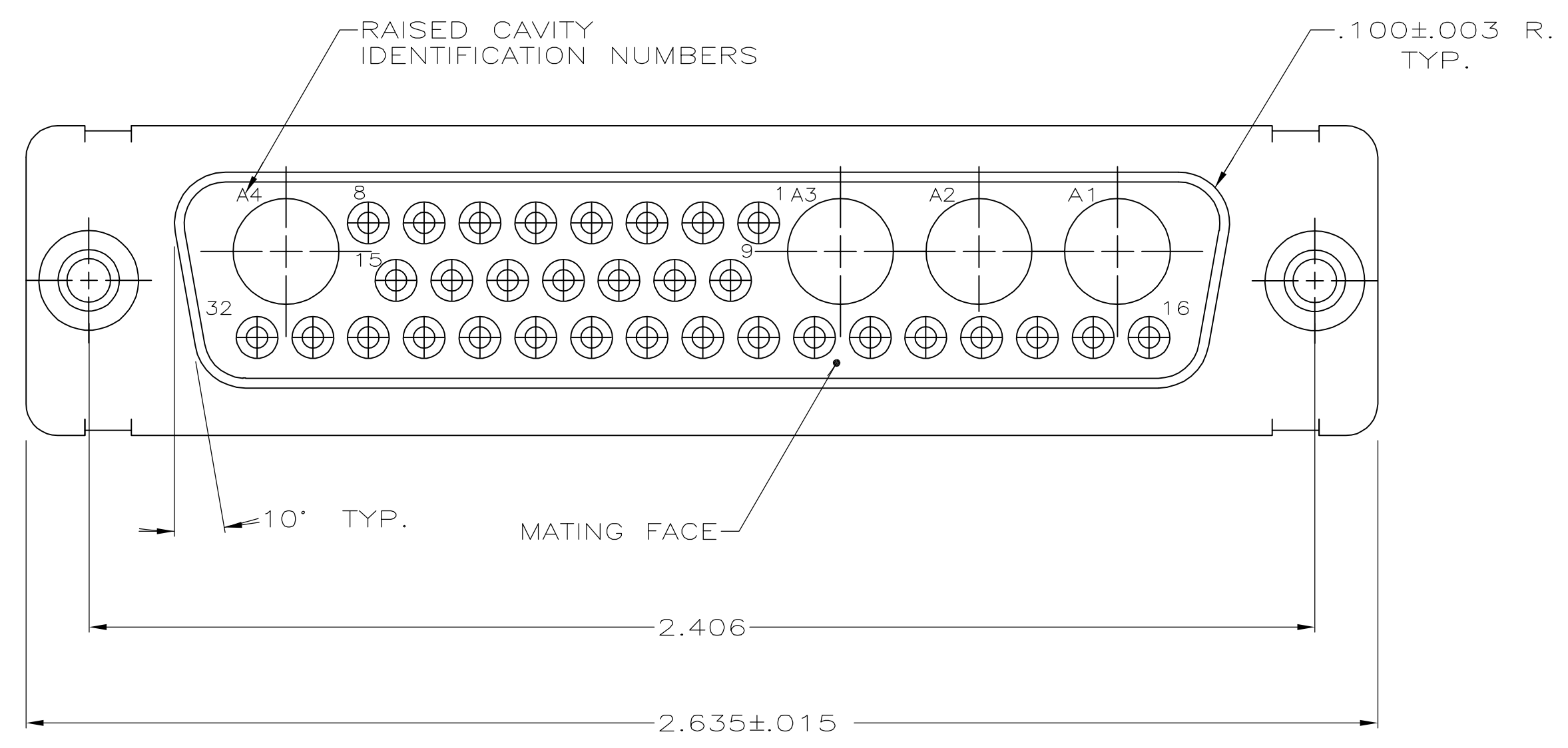
Tel: +86-755-8981 8866 Fax: +86-755-8427 6832

Email & Skype: info@chipsmall.com Web: www.chipsmall.com

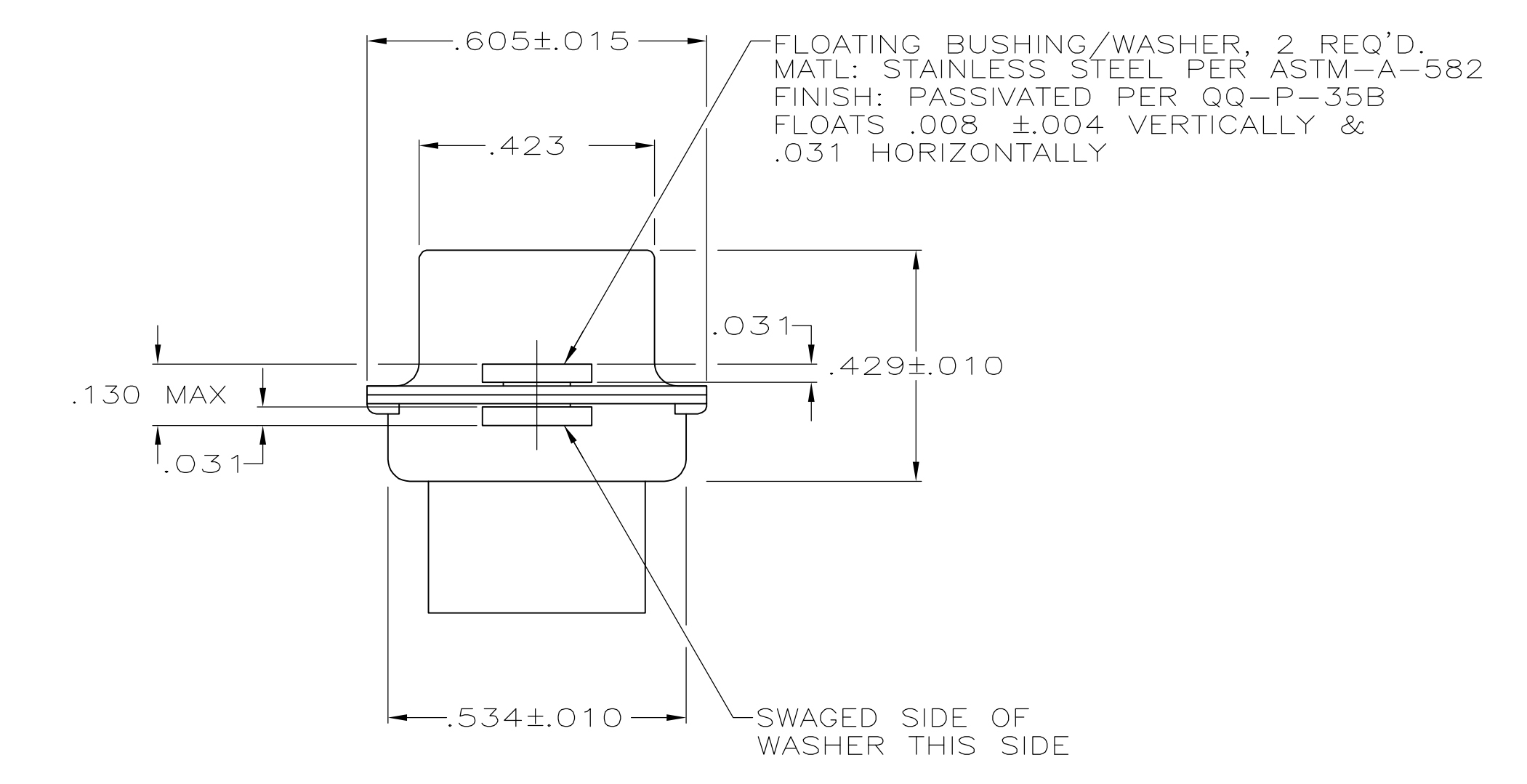
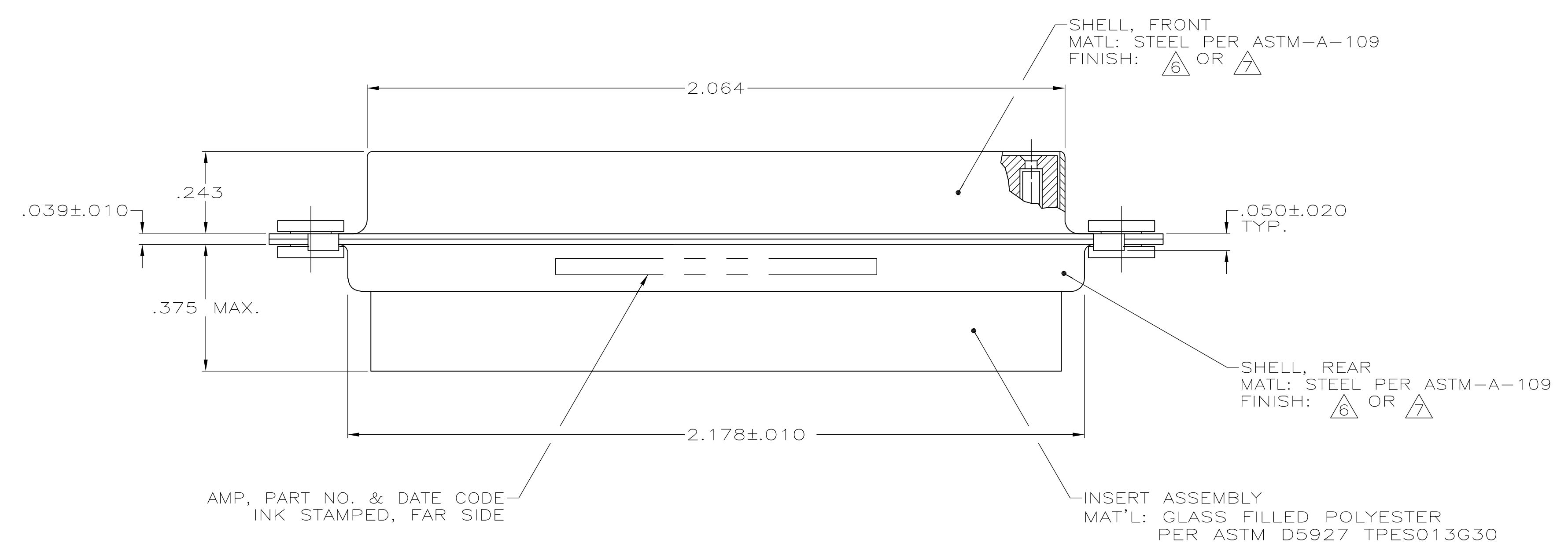
Address: A1208, Overseas Decoration Building, #122 Zhenhua RD., Futian, Shenzhen, China



LOC		DIST		REVISIONS			
DF	DO	REV	PER	DESCRIPTION	DATE	DWN	APVD
C		REV PER	ECR-05--005056		23JUN05	TK	CT



1. THIS RECEPTACLE WILL MATE WITH ANY 36C4, SIZE 5 PLUG IN AMPLIMITE SERIES.
 2. MAXIMUM WIRE INSULATION TO BE USED WITH THIS PLUG IS .068 DIA.
 3. STAINLESS STEEL RETENTION CLIPS ARE INCLUDED IN INSERT ASSEMBLY.
 4. CONNECTOR SUPPLIED WITHOUT CONTACTS, SHOWN FOR ILLUSTRATION ONLY.
 5. THIS CONNECTOR ACCEPTS SIZE 20 SOCKET CONTACTS.
- 6 FINISH: CADMIUM PLATED PER QQ-P-416.
7 FINISH: PLATED BRIGHT TIN PER MIL-T-10727 OR MIL-L-46064 OVER COPPER PER MIL-C-14550.



7	445727-2
6	445727-1
PART NO	

THIS DRAWING IS A CONTROLLED DOCUMENT.		DIN T. SHUEY 11-10-88	Tyco Electronics Corporation Harrisburg, Pa 17105-3608
DIMENSIONS: INCHES		CHK A. EMADI 11-10-88	
TOLERANCES UNLESS OTHERWISE SPECIFIED:		APVD A. EMADI 11-10-88	NAME
0 PLC ± -		PRODUCT SPEC	RECEPTACLE ASSEMBLY, AMPLIMITE, 36C4, SIZE 5, SERIES 109, COAX MIX, WITH FLOAT BUSHINGS
1 PLC ± -		APPLICATION SPEC	
2 PLC ± -		SIZE	A1
3 PLC ± .005		WEIGHT	000779
4 PLC ± -		CUSTOMER DRAWING	445727
ANGLES ± -		SCALE	4:1
FINISH	SEE CALLOUTS	SHEET	1 OF 1
MATERIAL	SEE CALLOUTS	REV	C