



Chipsmall Limited consists of a professional team with an average of over 10 year of expertise in the distribution of electronic components. Based in Hongkong, we have already established firm and mutual-benefit business relationships with customers from,Europe,America and south Asia,supplying obsolete and hard-to-find components to meet their specific needs.

With the principle of “Quality Parts,Customers Priority,Honest Operation,and Considerate Service”,our business mainly focus on the distribution of electronic components. Line cards we deal with include Microchip,ALPS,ROHM,Xilinx,Pulse,ON,Everlight and Freescale. Main products comprise IC,Modules,Potentiometer,IC Socket,Relay,Connector.Our parts cover such applications as commercial,industrial, and automotives areas.

We are looking forward to setting up business relationship with you and hope to provide you with the best service and solution. Let us make a better world for our industry!



Contact us

Tel: +86-755-8981 8866 Fax: +86-755-8427 6832

Email & Skype: info@chipsmall.com Web: www.chipsmall.com

Address: A1208, Overseas Decoration Building, #122 Zhenhua RD., Futian, Shenzhen, China

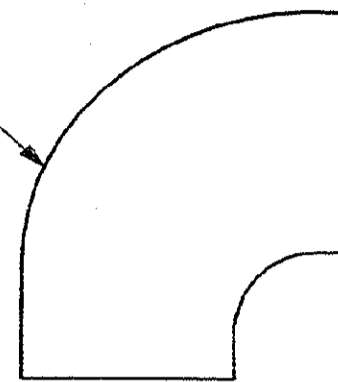


DRAWING MADE IN THIRD ANGLE PROJECTION

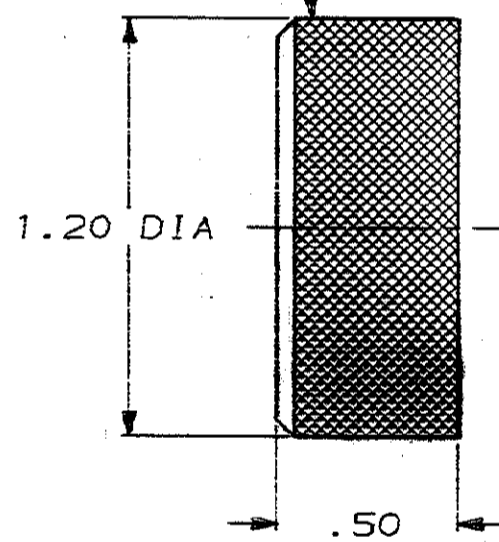
THIS DRAWING IS UNPUBLISHED. RELEASED FOR PUBLICATION .19
 © COPYRIGHT 19 BY AMP INCORPORATED. ALL INTERNATIONAL RIGHTS RESERVED.

PROJ	LOC	DIST	REVISIONS	DATE	APPD
4081	DF	51	Q RLSE/NPR 88-474	OCT 11-88	CS

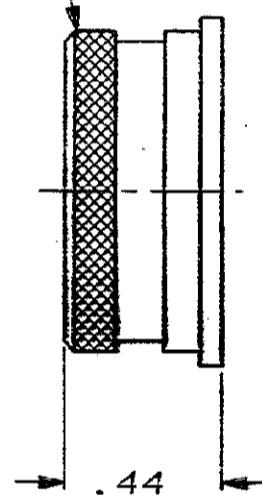
BOOT, SHRINKABLE, 90°
 MAT'L: POLYOLEFIN



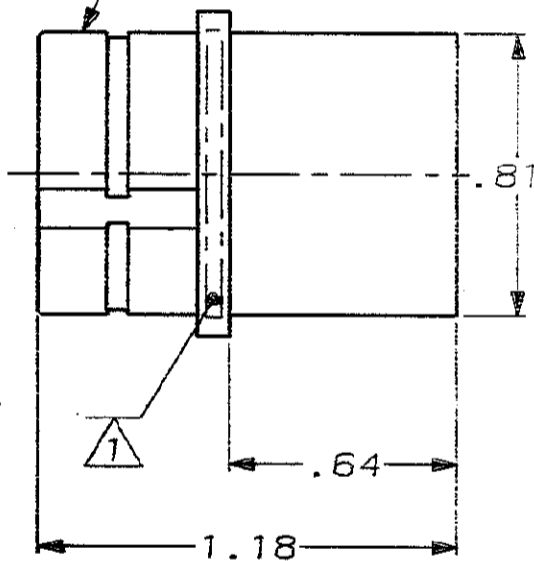
CAP
 MAT'L: BRASS
 FINISH: NICKEL
 OVER COPPER FLASH



FERRULE
 MAT'L: BRASS
 FINISH: NICKEL
 OVER COPPER FLASH

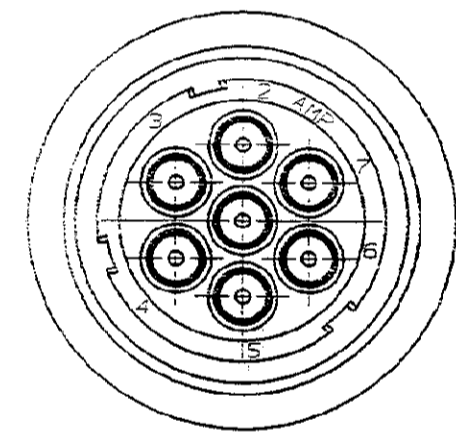
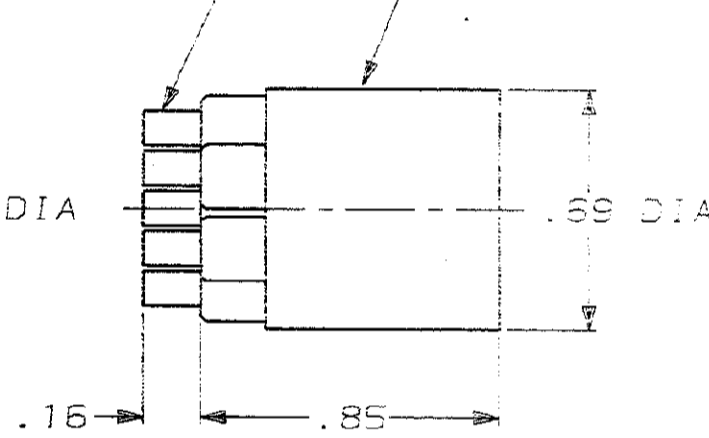


HOUSING
 MAT'L: POLYESTER



SOCKET END

SLUG
 MAT'L: SILICONE RUBBER



445729

AMP PART NO., CUSTOMER PART NO. AND SPECIAL DATE CODE INK STAMPED PER MIL-STD-130.

DO NOT SCALE PRINT. UNLESS SPECIFIED DIMENSIONS IN INCHES. TOLERANCES ON: 2 PLC DEC ± .03 3 PLC DEC ± .015 ANGLES ± -		DR 11-17-88 C.C. THOMAS	CI-2A-074-003V-00	445729-1
MATERIAL: SEE CALLOUTS		CHK: <i>G. Schutte</i> 1-26-89	CUSTOMER PART NO.	PART NO.
FINISH: -		APPD: <i>M. Harden</i> 1-26-89	AMP INCORPORATED Harrisburg, Pa. 17105	
APPLICATION SPEC: -		PRODUCT SPEC: -	NAME: PLUG KIT, 7 PIN MINIATURE, LGH	
WEIGHT: -		APPLIC. SPEC: -	SIZE: C	FSCM NO: 00779
			SCALE: 2:1	DRAWING NO: 445729
				SHEET: 1 OF 1