



Chipsmall Limited consists of a professional team with an average of over 10 year of expertise in the distribution of electronic components. Based in Hongkong, we have already established firm and mutual-benefit business relationships with customers from,Europe,America and south Asia,supplying obsolete and hard-to-find components to meet their specific needs.

With the principle of “Quality Parts,Customers Priority,Honest Operation,and Considerate Service”,our business mainly focus on the distribution of electronic components. Line cards we deal with include Microchip,ALPS,ROHM,Xilinx,Pulse,ON,Everlight and Freescale. Main products comprise IC,Modules,Potentiometer,IC Socket,Relay,Connector.Our parts cover such applications as commercial,industrial, and automotives areas.

We are looking forward to setting up business relationship with you and hope to provide you with the best service and solution. Let us make a better world for our industry!



Contact us

Tel: +86-755-8981 8866 Fax: +86-755-8427 6832

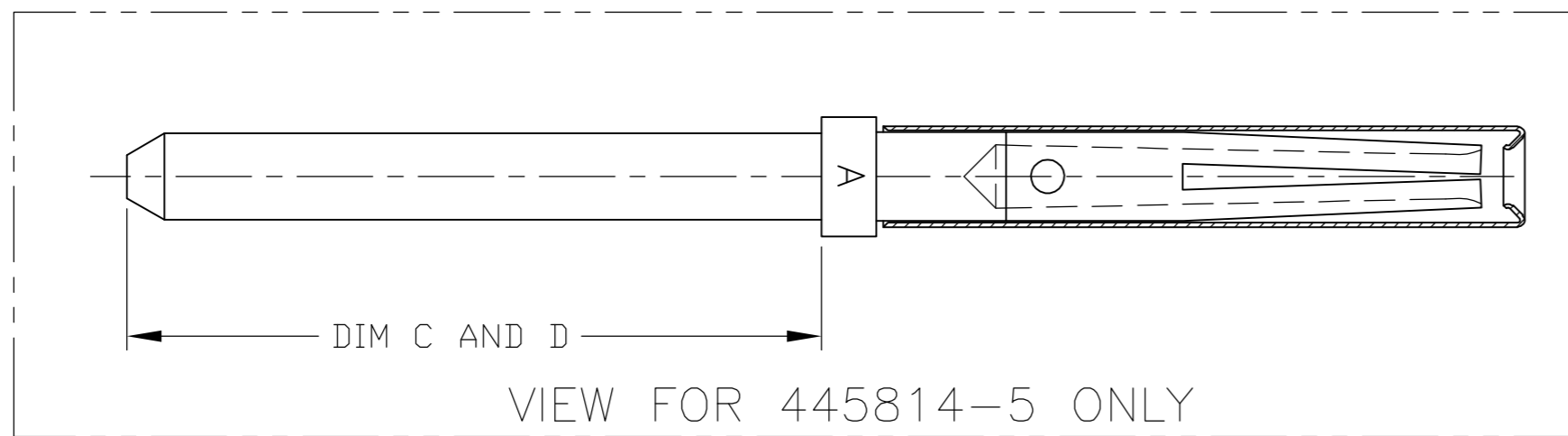
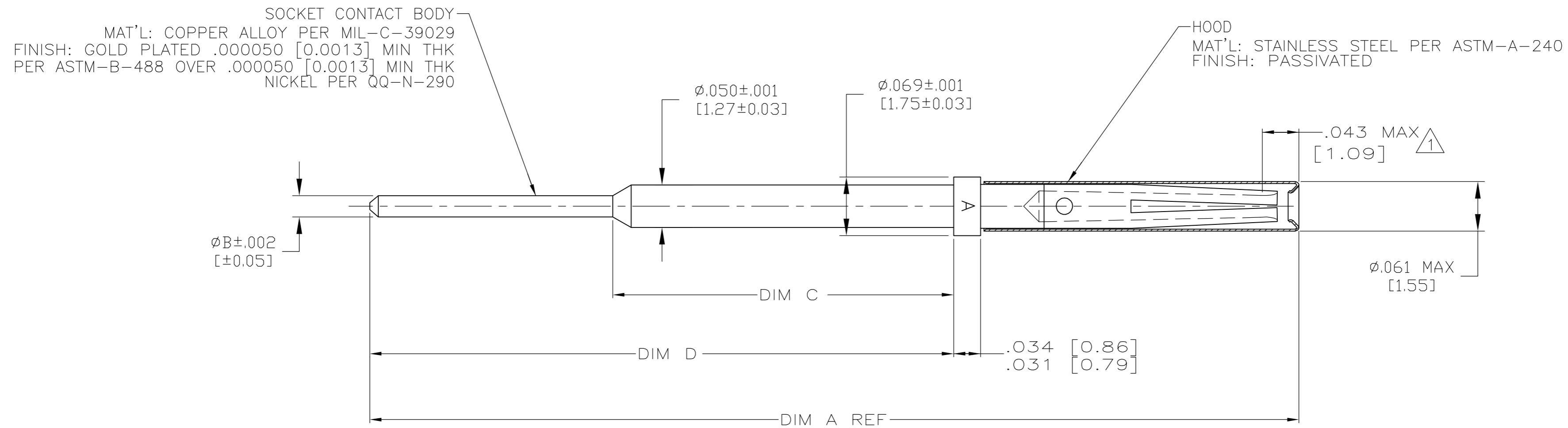
Email & Skype: info@chipsmall.com Web: www.chipsmall.com

Address: A1208, Overseas Decoration Building, #122 Zhenhua RD., Futian, Shenzhen, China



THIS DRAWING IS UNPUBLISHED. RELEASED FOR PUBLICATION
 © COPYRIGHT BY TYCO ELECTRONICS CORPORATION. ALL RIGHTS RESERVED.

LOC		DIST		REVISIONS			
P	LTR	DESCRIPTION		DATE	DWN	APVD	
DF	A0	B		REV PER ECO 06-028577	12-7-06	CT	DE



DEPENDS UPON INSERT	1.152±.010 [29.26±0.25]	.587 [14.91]	.025 [0.64]	1.561 [39.65]	445814-7
DEPENDS UPON INSERT	.867±.010 [22.02±0.25]	.587 [14.91]	.025 [0.64]	1.276 [32.41]	445814-6
DEPENDS UPON INSERT	.492 [12.50]	.492 [12.50]	.025 [0.64]	.901 [22.88]	445814-5
DEPENDS UPON INSERT	.577±.005 [14.66±0.13]	.370 [9.40]	.025 [0.64]	.986 [25.04]	445814-4
.180 [4.57]	.6775±.0020 [17.209±0.051]	.401 [10.19]	.020 [0.51]	1.087 [27.61]	445814-3
.230 [5.84]	.7275±.0105 [18.478±0.267]	.5775±.0065 [14.668±0.165]	.025 [0.64]	1.137 [28.88]	445814-2
.190 [4.82]	.688±.010 [17.48±0.25]	.401 [10.19]	.025 [0.64]	1.097 [27.86]	445814-1
MINIMUM POST EXTENSION BEYOND REAR OF INSERT	D DIM	C DIM	B DIM	A DIM	PART NUMBER

▲ ELECTRICAL ENGAGEMENT POINT.

THIS DRAWING IS A CONTROLLED DOCUMENT.

DIMENSIONS: INCHES [mm]	TOLERANCES UNLESS OTHERWISE SPECIFIED:	DWN C.C.THOMAS 12-7-06	Tyco Electronics Corporation Harrisburg, PA 17105-3608
	0 PLC ± - 1 PLC ± - 2 PLC ± - 3 PLC ± .005 [0.13] 4 PLC ± - ANGLES ± -	CHK D.EABY 12-7-06	
		APVD D.EABY 12-7-06	
		PRODUCT SPEC	
MATERIAL SEE CALLOUTS	FINISH SEE CALLOUTS	APPLICATION SPEC	NAME POSTED CONTACT SOCKET ASSY, SIZE 22,REAR RELEASE,ARINC 600
		WEIGHT	SIZE A2
		CUSTOMER DRAWING	CAGE CODE 00779
		SCALE 10:1	DRAWING NO C=445814
		SHEET 1 of 1	RESTRICTED TO -
		REV B	