



Chipsmall Limited consists of a professional team with an average of over 10 year of expertise in the distribution of electronic components. Based in Hongkong, we have already established firm and mutual-benefit business relationships with customers from,Europe,America and south Asia,supplying obsolete and hard-to-find components to meet their specific needs.

With the principle of “Quality Parts,Customers Priority,Honest Operation,and Considerate Service”,our business mainly focus on the distribution of electronic components. Line cards we deal with include Microchip,ALPS,ROHM,Xilinx,Pulse,ON,Everlight and Freescale. Main products comprise IC,Modules,Potentiometer,IC Socket,Relay,Connector.Our parts cover such applications as commercial,industrial, and automotives areas.

We are looking forward to setting up business relationship with you and hope to provide you with the best service and solution. Let us make a better world for our industry!



Contact us

Tel: +86-755-8981 8866 Fax: +86-755-8427 6832

Email & Skype: info@chipsmall.com Web: www.chipsmall.com

Address: A1208, Overseas Decoration Building, #122 Zhenhua RD., Futian, Shenzhen, China

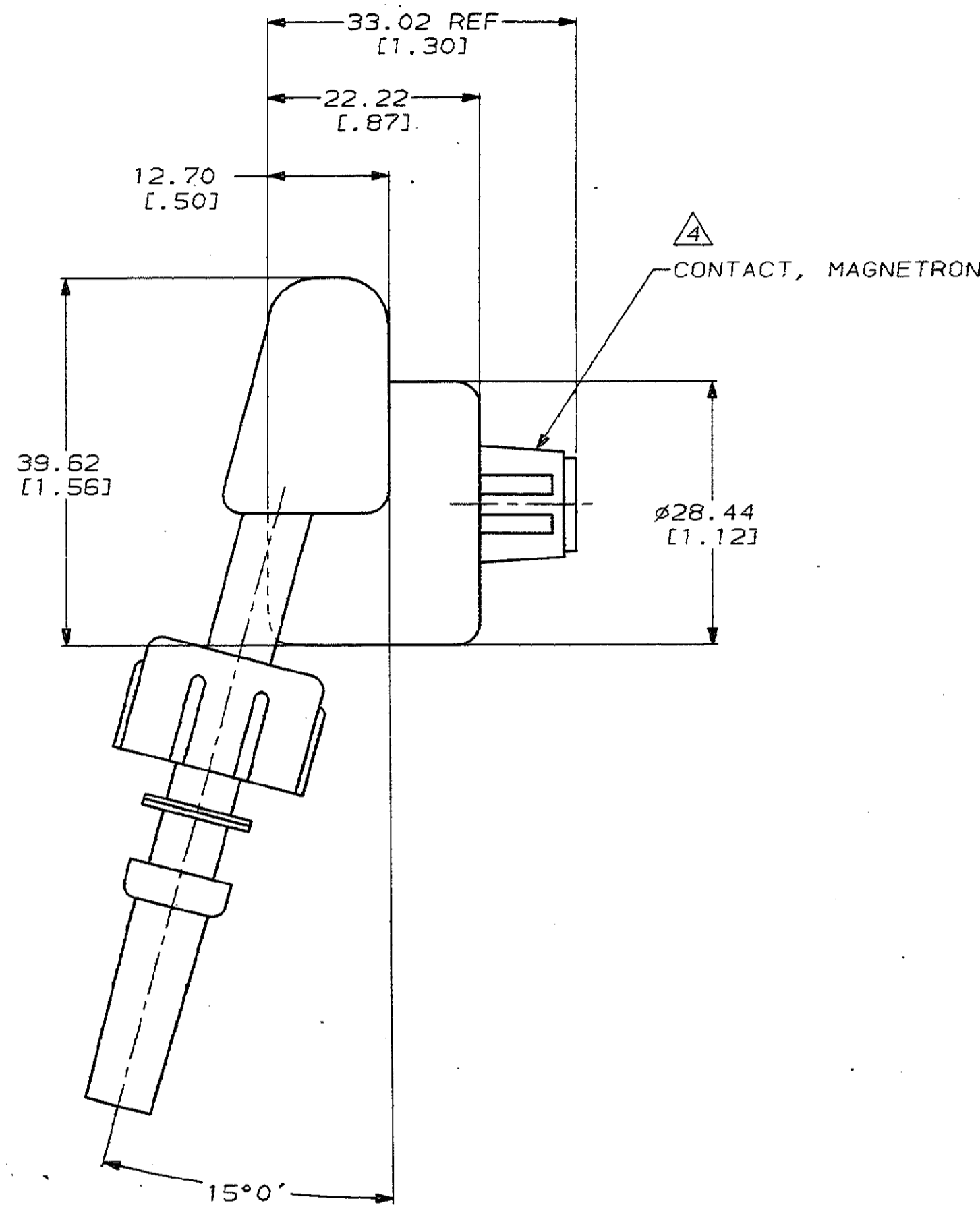
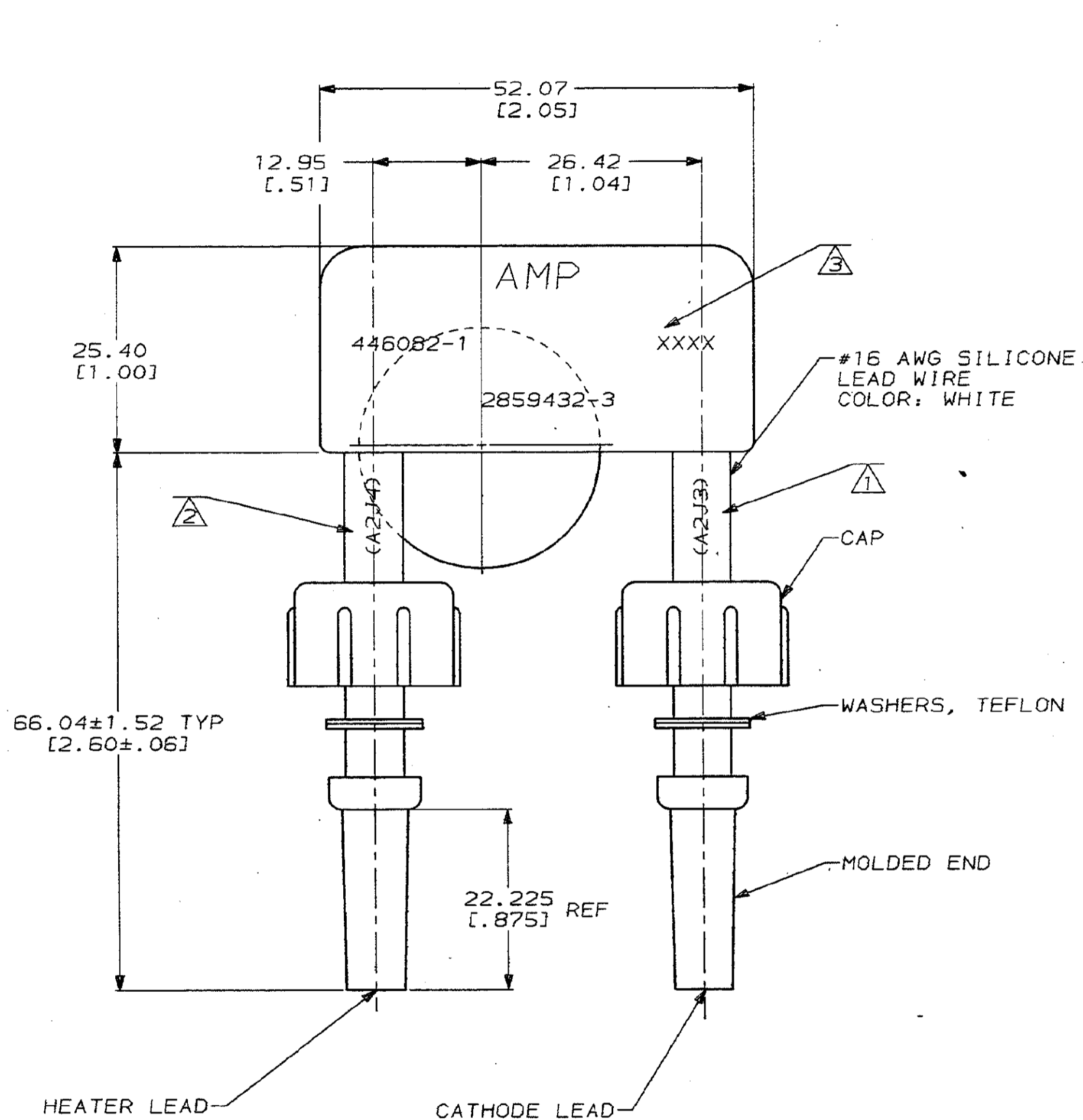


DRAWING MADE IN THIRD ANGLE PROJECTION

THIS DRAWING IS UNPUBLISHED. RELEASED FOR PUBLICATION .19
 © COPYRIGHT 19 BY AMP INCORPORATED. ALL INTERNATIONAL RIGHTS RESERVED.

METRIC

PROD		LOC		DIST		REVISIONS					
CODE						ZONE	LTR	DESCRIPTION	DATE	APPD	
4092	DF	S1						0 RLSE/NPR 89-241	CCT	7-89	CS



- 1. MARKED WITH CUSTOMER DATA: P1 & (A2J3) PER MIL-STD-130.
- 2. MARKED WITH CUSTOMER DATA: P2 & (A2J4) PER MIL-STD-130.
- 3. AMP & CUSTOMER DATA MARKED PER MIL-STD-130.
- 4. TO MATE WITH MAGNETRON 4J52A.
- 5. TO MATE WITH AMP RECEPTACLE PART NO. 868754-1.
- 6. HI-POT: 45 KVDC AT SEA LEVEL FOR 3 MIN; 100%
- 7. OPERATING VOLTAGE: 30 KVDC AT SEA LEVEL.
- 8. SOLDER TO WITHSTAND A TEMPERATURE OF 500°F MAX.

DO NOT SCALE PRINT. UNLESS SPECIFIED DIMENSIONS IN MM [INCHES] TOLERANCES ON: 2 PLC DEC ± 0.51 [.02] 3 PLC DEC ± 0.13 [.005] ANGLES ± -		DR C.C. THOMAS 7-6-89	446082-1 AMP PART NO.	
MATERIAL SEE CALLOUTS		CHK G. Schreff 7/13/89	AMP AMP INCORPORATED Harrisburg, Pa. 17105	
FINISH -		APPD U. S. Lutz 7-13-89	NAME LGH CONNECTOR, MAGNETRON	
APPLICATION SPEC -		APPD U. S. Lutz 7-13-89	SIZE C	FSCM NO 00779
WEIGHT -		DRAWING NO 446082		SCALE 2:1
		SHEET 1 OF 1		

AMP 1471-6 REV 3-87

10 MAY 1989 10:30:06 716412 451285-DEP18021-ALLSH

RESTRICTED CUSTOMER DRAWING