



Chipsmall Limited consists of a professional team with an average of over 10 year of expertise in the distribution of electronic components. Based in Hongkong, we have already established firm and mutual-benefit business relationships with customers from,Europe,America and south Asia,supplying obsolete and hard-to-find components to meet their specific needs.

With the principle of "Quality Parts,Customers Priority,Honest Operation,and Considerate Service",our business mainly focus on the distribution of electronic components. Line cards we deal with include Microchip,ALPS,ROHM,Xilinx,Pulse,ON,Everlight and Freescale. Main products comprise IC,Modules,Potentiometer,IC Socket,Relay,Connector.Our parts cover such applications as commercial,industrial, and automotives areas.

We are looking forward to setting up business relationship with you and hope to provide you with the best service and solution. Let us make a better world for our industry!



## Contact us

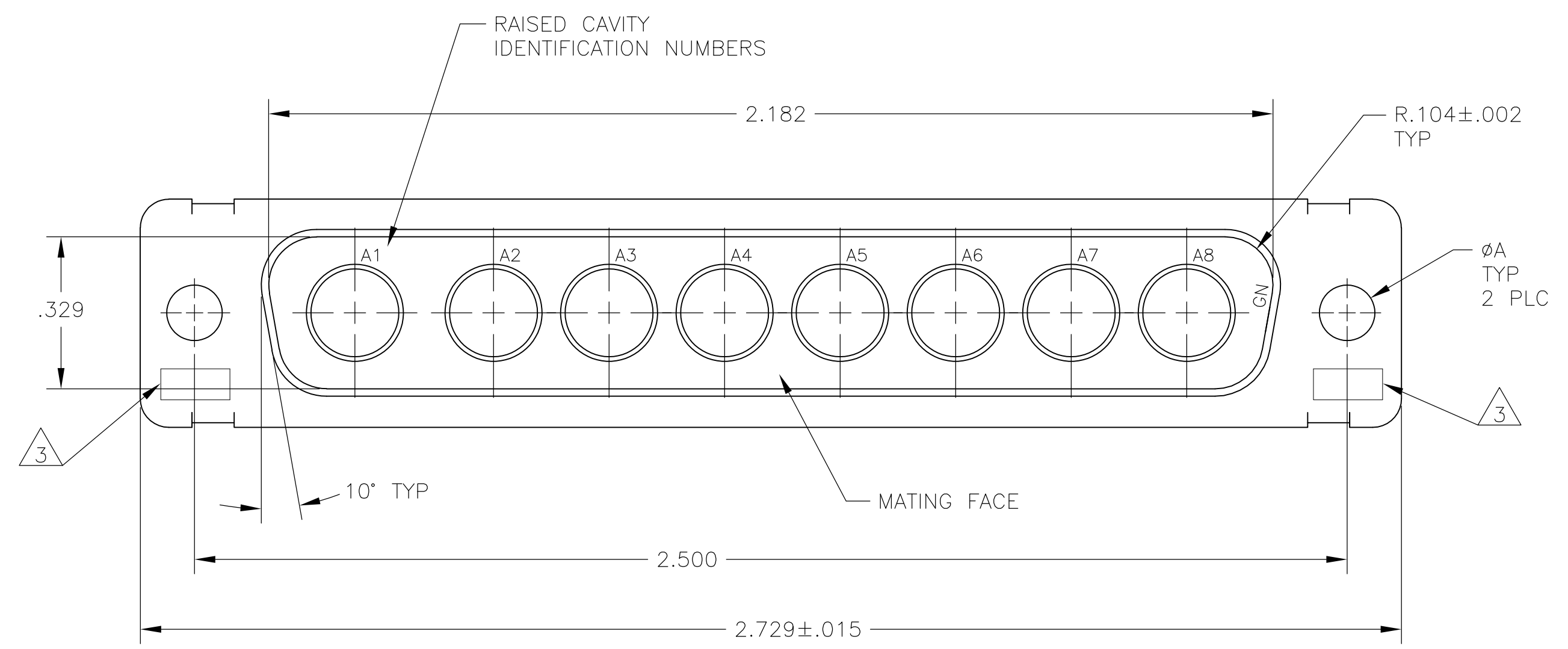
Tel: +86-755-8981 8866 Fax: +86-755-8427 6832

Email & Skype: info@chipsmall.com Web: www.chipsmall.com

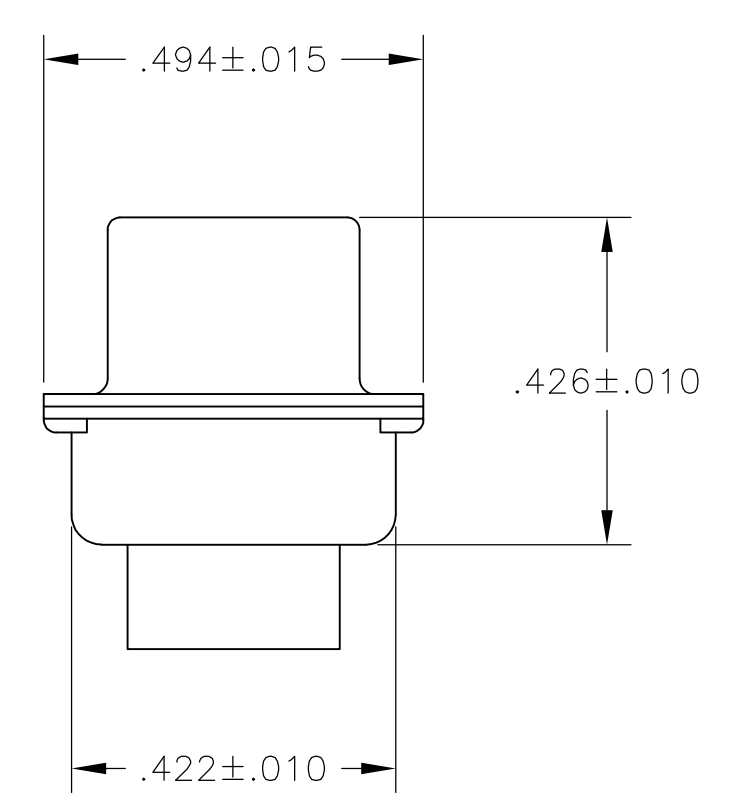
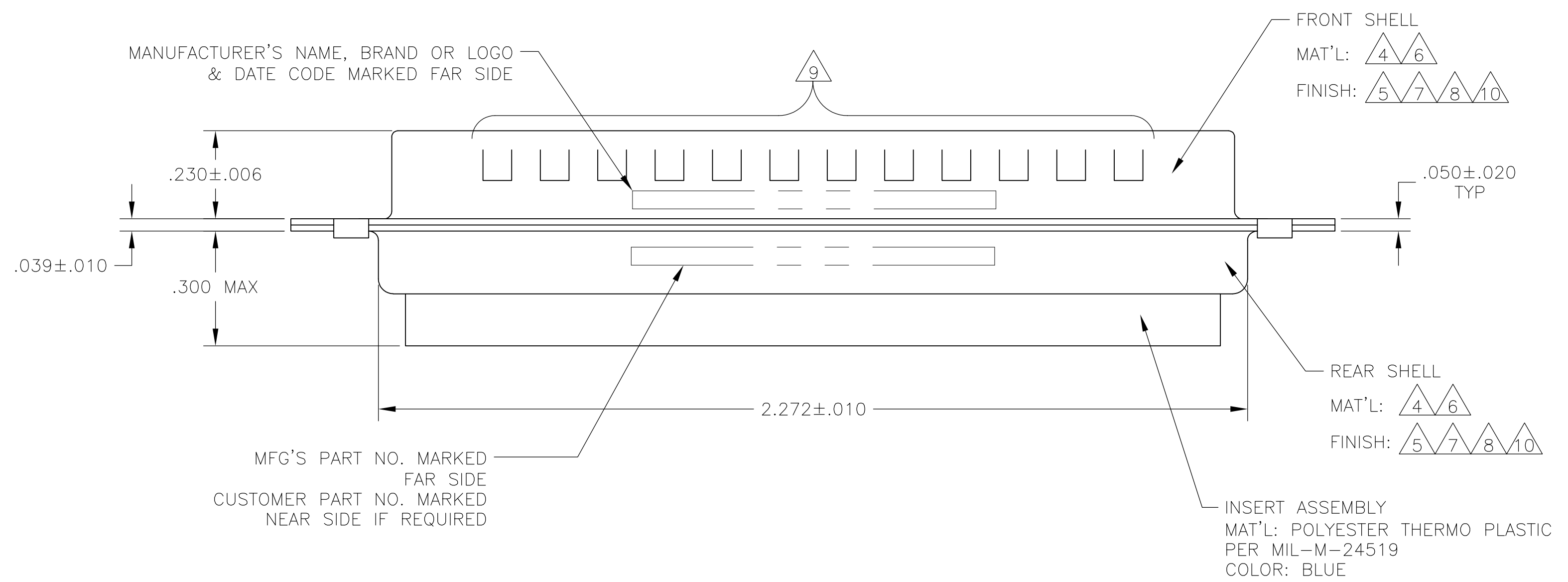
Address: A1208, Overseas Decoration Building, #122 Zhenhua RD., Futian, Shenzhen, China



REVISONS		DATE	BY	APPV
NO	DESCRIPTION			
N	REVISED PER ECO-12-004104	16MAR13	PY	RL



- THIS PLUG WILL MATE WITH ANY 8C8, SIZE 4 RECEPTACLE IN AMPLIMITE SERIES.
- USE (8) SIZE 8 POWER, OR COAX PIN CONTACTS. CONSULT PRODUCT ENGINEERING FOR MORE DETAILS.
- UL/CSA DESIGNATION STAMPED IN THIS AREA, OPTIONAL.
- STEEL PER ASTM-A-109.
- CADMIUM PLATED PER QQ-P-416, TYPE II, CLASS 2.
- BRASS PER ASTM-B-36 AND MIL-C-50.
- FINISH: PLATED GOLD PER ASTM-B-488, TYPE 3, CODE C, CLASS 1.25 OVER COPPER PLATE PER MIL-C-14550, CLASS IV.
- FINISH: TIN PER ASTM-B-545 .000400 MIN THK OVER COPPER PER AMS2418 .000050 MIN THK.
- GROUNDING INDENTS FOR 446405-4 & 5-446405-4 ONLY.
- FINISH: ZINC PLATE PER ASTM-B-633 .000200-.000400 THK WITH SUPPLEMENTARY CHROMATE (Cr3+).



REMARKS	CUSTOMER PART NO.	ØA	DESCRIPTION	PART NO.
4 9 8	-	.120	MIL-C-24308 EQUIVALENT	5-446405-4
4 10	B010942-0041	.120	-	5-446405-1
6 7	ST81D284-001	.120	-	446405-6
6 7	-	.120	-	446405-5
4 8 9	97942-645A935H02	.120	-	446405-4
6 7	311P405-15P-B-15	.154	NON-MAGNETIC NASA QUALIFIED	446405-3
6 7	311P405-15P-B-12	.120	NON-MAGNETIC NASA QUALIFIED	446405-2
4 5	-	.120	MIL-C-24308 EQUIVALENT	446405-1

THIS DRAWING IS A CONTROLLED DOCUMENT. **STE** TE Connectivity

DIMENSIONS: INCHES	TOLERANCES UNLESS OTHERWISE SPECIFIED:	APPROVED: A. EMADI	DATE: 02-MAY-89
0 PLC ± -	1 PLC ± -	2 PLC ± -	3 PLC ± -
4 PLC ± .005(0.13)	ANGLES ± 0° 30'	NAME: PLUG ASSEMBLY	RESTRICTED TO: -
MATERIAL: -	FINISH: -	SIZE: A1	SCALE: 4:1
CUSTOMER DRAWING		WEIGHT: -	SHEET 1 OF 1