



Chipsmall Limited consists of a professional team with an average of over 10 year of expertise in the distribution of electronic components. Based in Hongkong, we have already established firm and mutual-benefit business relationships with customers from,Europe,America and south Asia,supplying obsolete and hard-to-find components to meet their specific needs.

With the principle of “Quality Parts,Customers Priority,Honest Operation,and Considerate Service”,our business mainly focus on the distribution of electronic components. Line cards we deal with include Microchip,ALPS,ROHM,Xilinx,Pulse,ON,Everlight and Freescale. Main products comprise IC,Modules,Potentiometer,IC Socket,Relay,Connector.Our parts cover such applications as commercial,industrial, and automotives areas.

We are looking forward to setting up business relationship with you and hope to provide you with the best service and solution. Let us make a better world for our industry!



Contact us

Tel: +86-755-8981 8866 Fax: +86-755-8427 6832

Email & Skype: info@chipsmall.com Web: www.chipsmall.com

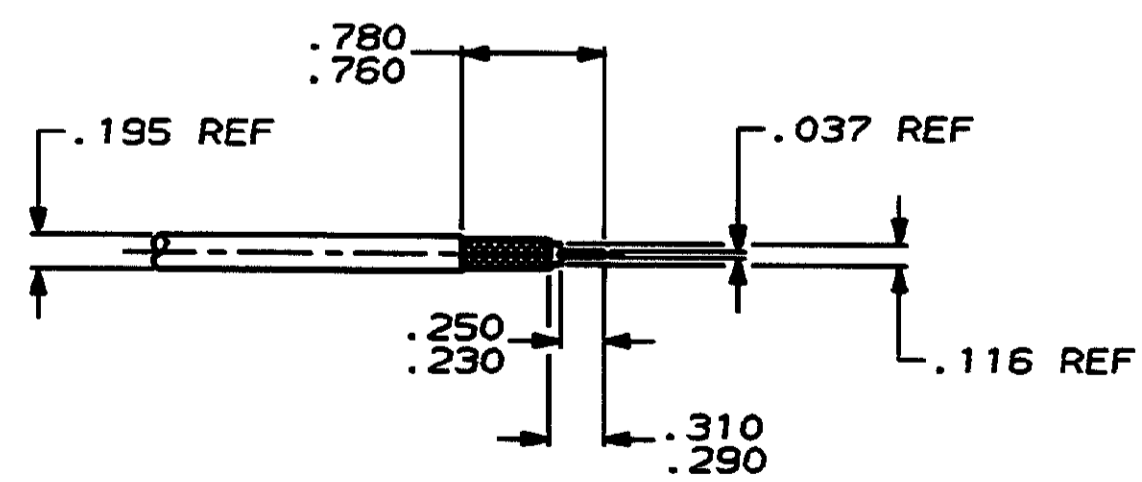
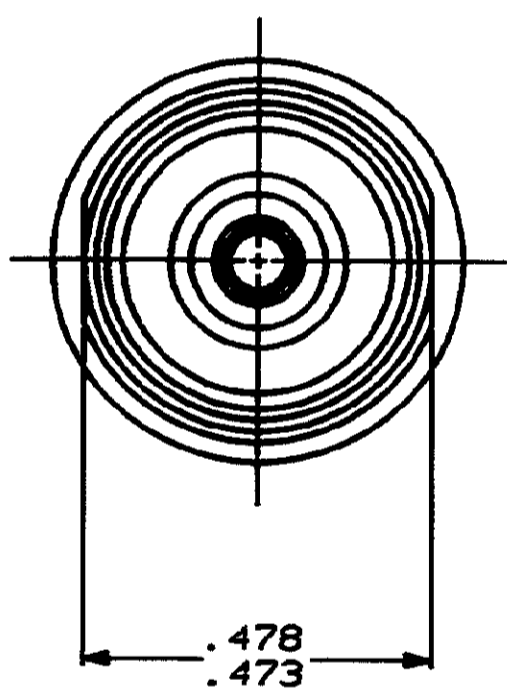
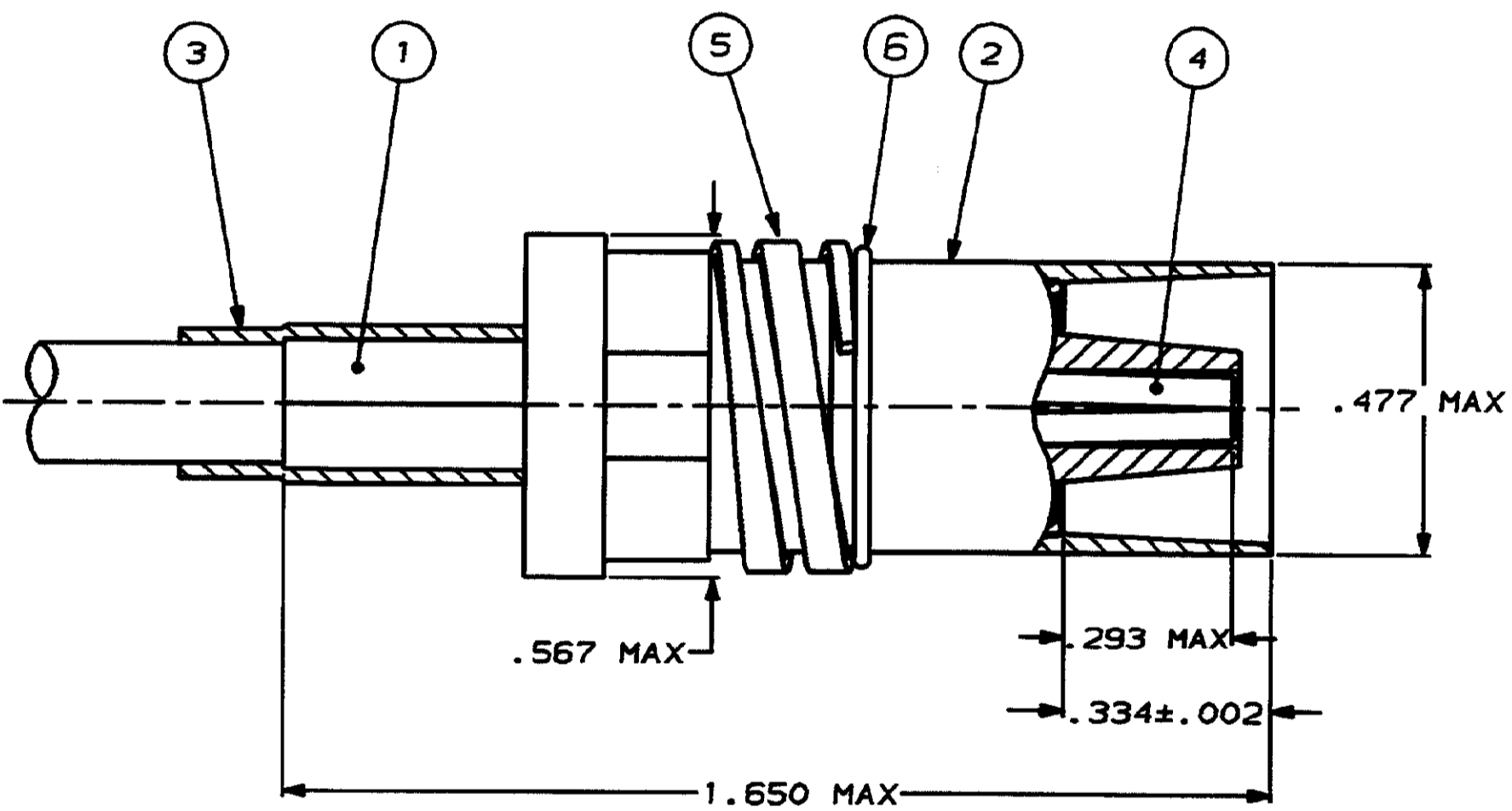
Address: A1208, Overseas Decoration Building, #122 Zhenhua RD., Futian, Shenzhen, China



DRAWING MADE IN THIRD ANGLE PROJECTION
 THIS DRAWING IS UNPUBLISHED. RELEASED FOR PUBLICATION
 © COPYRIGHT 19 BY AMP INCORPORATED. ALL INTERNATIONAL RIGHTS RESERVED.

LOC	DIST	P	F	ZONE	LTR	DESCRIPTION	DATE	APPO
DF	XO					RELEASED PER NPR 89-0192	5/12/89	KH/RH
					A	REVISED PER DF2079	7/24/89	RCH
					B	REVISED PER DF2563	11/21/89	RCH
					C	REVISED PER DF2990	2-28-90	PY
					D	REVISED PER DF3222	4-12-90	PY
					E	REVISED PER DF3583	7-24-90	PY
					F	REV PER 0600-0177-93 JB		

- FOR USE WITH RG-142/U CABLE
- BRAID CRIMP; USE MILITARY TOOL M22520/5-01, WITH DIE SET M22520/5-11, CAVITY A OR EQUIVALENT
- CENTER CONTACT CRIMP; USE MILITARY TOOL M22520/5-01, WITH DIE SET M22520/5-11, CAVITY B OR EQUIVALENT
- SEE APPLICATION SPEC. 114-9017.
- PARTS PACKAGED UNASSEMBLED.



RECOMMENDED STRIP LENGTH
SCALE 1:1

QTY	PART NO	DESCRIPTION	ITEM NO
1	985184-1	RING, RETAINING	6
1	446921-2	SPRING	5
1	446551-1	CONTACT ASSEMBLY	4
1	228143-2	HEAT SHRINK TUBING	3
1	446550-1	SOCKET ASSEMBLY	2
1	446556-3	FERRULE	1

DO NOT SCALE PRINT. UNLESS SPECIFIED DIMENSIONS IN INCHES TOLERANCES ON:		DR 5/11/89		AMP AMP INCORPORATED Harrisburg, Pa. 17105	
2 PLC DEC ± -		CFK 5/12/89			
3 PLC DEC ± .005		APPD 5/12/89		NAME	
ANGLES ± -		R. HOSLER			
MATERIAL		APPD 5/12/89		COAXIAL CONTACT, SOCKET, SIZE 1, MODIFIED	
-		R. HOSLER			
FINISH		PRODUCT SPEC		SIZE	
-		APPLICATION SPEC		FSCN NO	
				DRAWING NO	
				C 00779	
				446549-1	
				SCALE 4:1	
				SHEET 1 OF 1	

CUSTOMER DRAWING