



Chipsmall Limited consists of a professional team with an average of over 10 year of expertise in the distribution of electronic components. Based in Hongkong, we have already established firm and mutual-benefit business relationships with customers from,Europe,America and south Asia,supplying obsolete and hard-to-find components to meet their specific needs.

With the principle of “Quality Parts,Customers Priority,Honest Operation,and Considerate Service”,our business mainly focus on the distribution of electronic components. Line cards we deal with include Microchip,ALPS,ROHM,Xilinx,Pulse,ON,Everlight and Freescale. Main products comprise IC,Modules,Potentiometer,IC Socket,Relay,Connector.Our parts cover such applications as commercial,industrial, and automotives areas.

We are looking forward to setting up business relationship with you and hope to provide you with the best service and solution. Let us make a better world for our industry!



Contact us

Tel: +86-755-8981 8866 Fax: +86-755-8427 6832

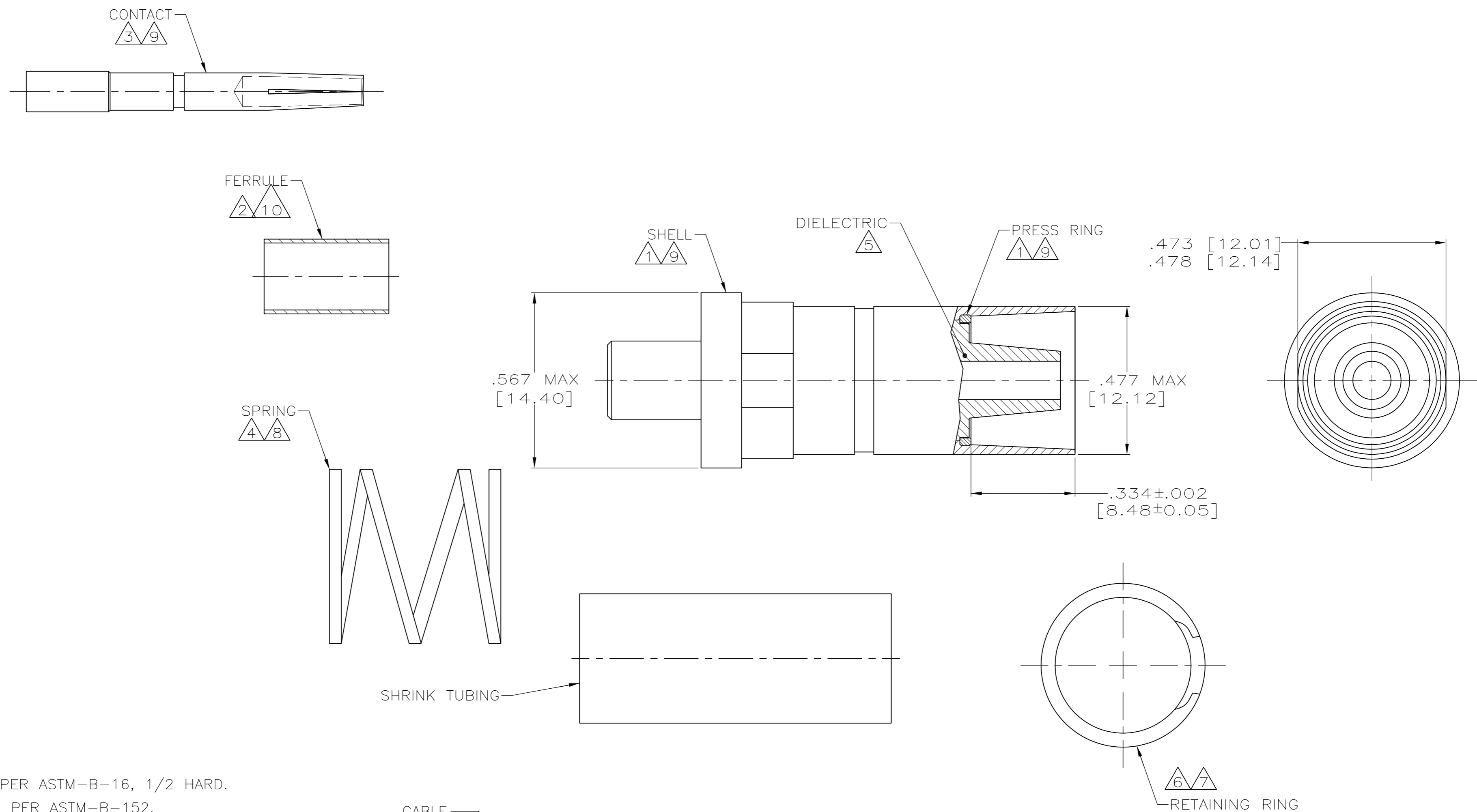
Email & Skype: info@chipsmall.com Web: www.chipsmall.com

Address: A1208, Overseas Decoration Building, #122 Zhenhua RD., Futian, Shenzhen, China



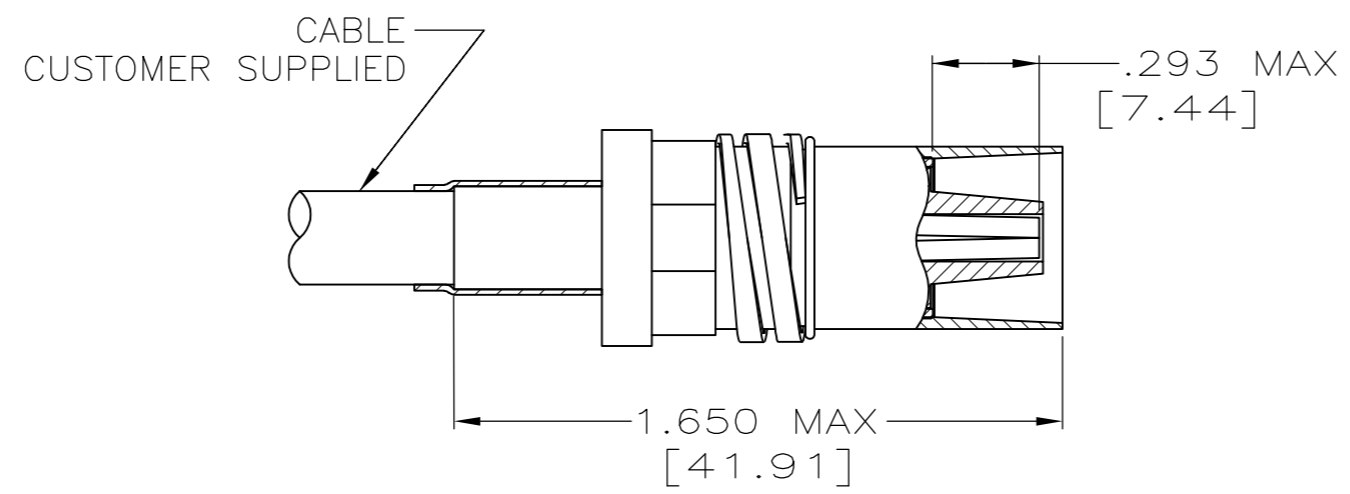
THIS DRAWING IS UNPUBLISHED. RELEASED FOR PUBLICATION
 © COPYRIGHT BY TYCO ELECTRONICS CORPORATION. ALL INTERNATIONAL RIGHTS RESERVED.

LOC	DIST	REVISIONS			
P	LTR	DESCRIPTION	DATE	DWN	APVD
DF	X0				
	B	REVISED PER ECO-09-006799	26-03-09	CT	RG



- 1 MAT'L: BRASS PER ASTM-B-16, 1/2 HARD.
- 2 MAT'L: COPPER PER ASTM-B-152.
- 3 MAT'L: BERYLLIUM COPPER PER ASTM-B-197.
- 4 MAT'L: MUSIC WIRE OIL TEMPER ASTM 226.
- 5 MAT'L: PTFE PER ASTM-D-1710.
- 6 MAT'L: STAINLESS STEEL PER QQ-S-766.
- 7 FINISH: PASSIVATED PER ASTM-A-380.
- 8 FINISH: CADMIUM PLATED PER QQ-P-416.
- 9 FINISH: GOLD PLATED PER MIL-G-45204 OVER NICKEL PER QQ-N-290.
- 10 FINISH: TIN-LEAD PLATED.

11. FOR USE WITH FC38Z CABLE.



ASSEMBLED VIEW
SCALE 2:1

THIS DRAWING IS A CONTROLLED DOCUMENT.		DWN C.C.THOMAS 11-8-94	Tyco Electronics Corporation Harrisburg, PA 17105-3608	
DIMENSIONS: INCHES		CHK J.DUNBAR 11-10-94	NAME SOCKET KIT, SIZE 1, MODIFIED, RF	
TOLERANCES UNLESS OTHERWISE SPECIFIED:		APVD J.DUNBAR 11-10-94	SIZE A2	
0 PLC ± -		PRODUCT SPEC	CAGE CODE 00779	DRAWING NO C=446549-8
1 PLC ± -		APPLICATION SPEC	RESTRICTED TO	
2 PLC ± -			-	
3 PLC ± -		WEIGHT -	-	
4 PLC ± -		CUSTOMER DRAWING	SCALE 4:1	SHEET 1 of 1
FINISH SEE CALOUTS			REV B	

446549-8
PART NO.