



Chipsmall Limited consists of a professional team with an average of over 10 year of expertise in the distribution of electronic components. Based in Hongkong, we have already established firm and mutual-benefit business relationships with customers from,Europe,America and south Asia,supplying obsolete and hard-to-find components to meet their specific needs.

With the principle of "Quality Parts,Customers Priority,Honest Operation,and Considerate Service",our business mainly focus on the distribution of electronic components. Line cards we deal with include Microchip,ALPS,ROHM,Xilinx,Pulse,ON,Everlight and Freescale. Main products comprise IC,Modules,Potentiometer,IC Socket,Relay,Connector.Our parts cover such applications as commercial,industrial, and automotives areas.

We are looking forward to setting up business relationship with you and hope to provide you with the best service and solution. Let us make a better world for our industry!



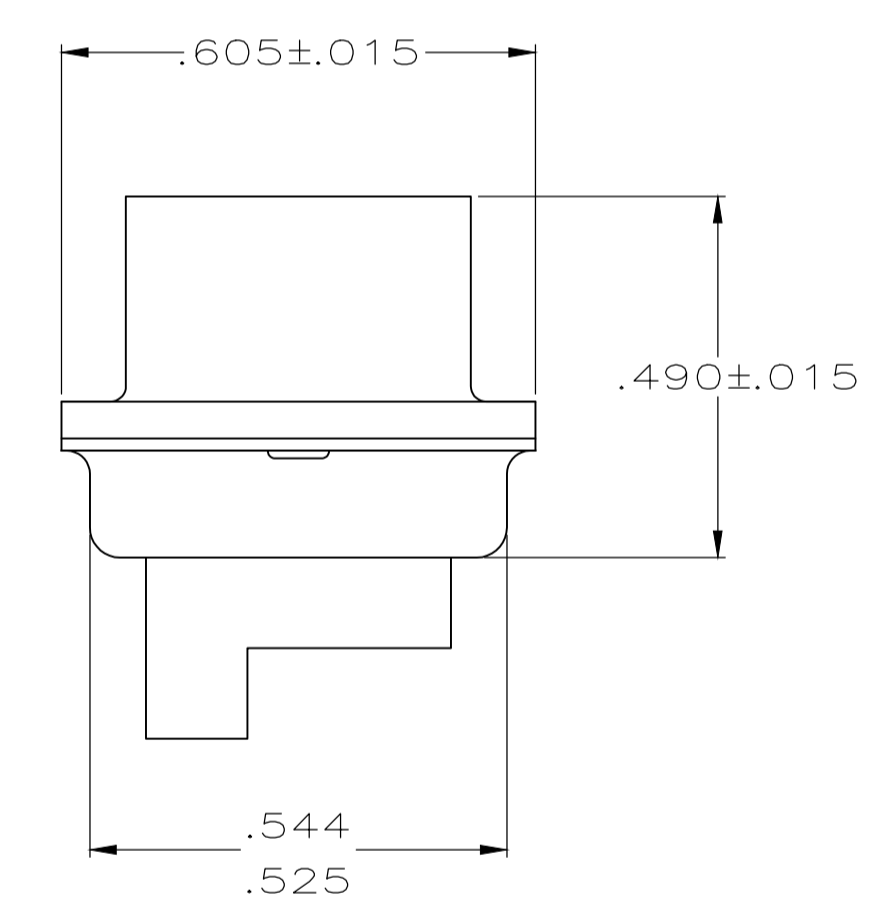
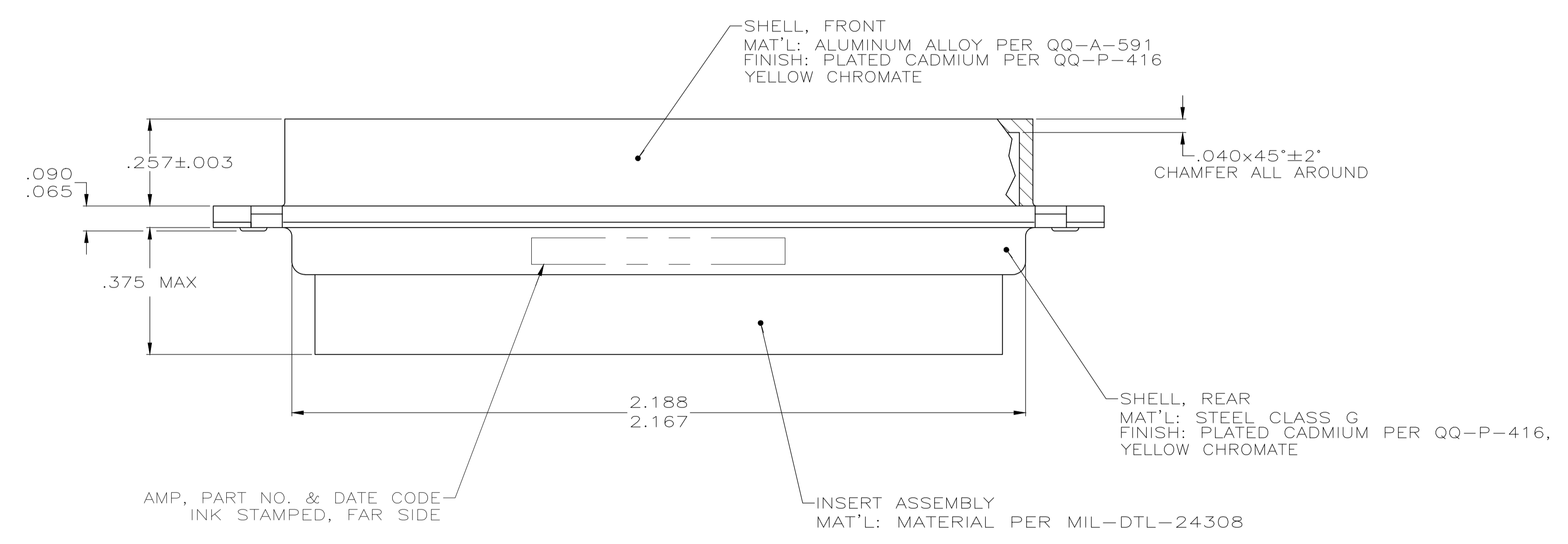
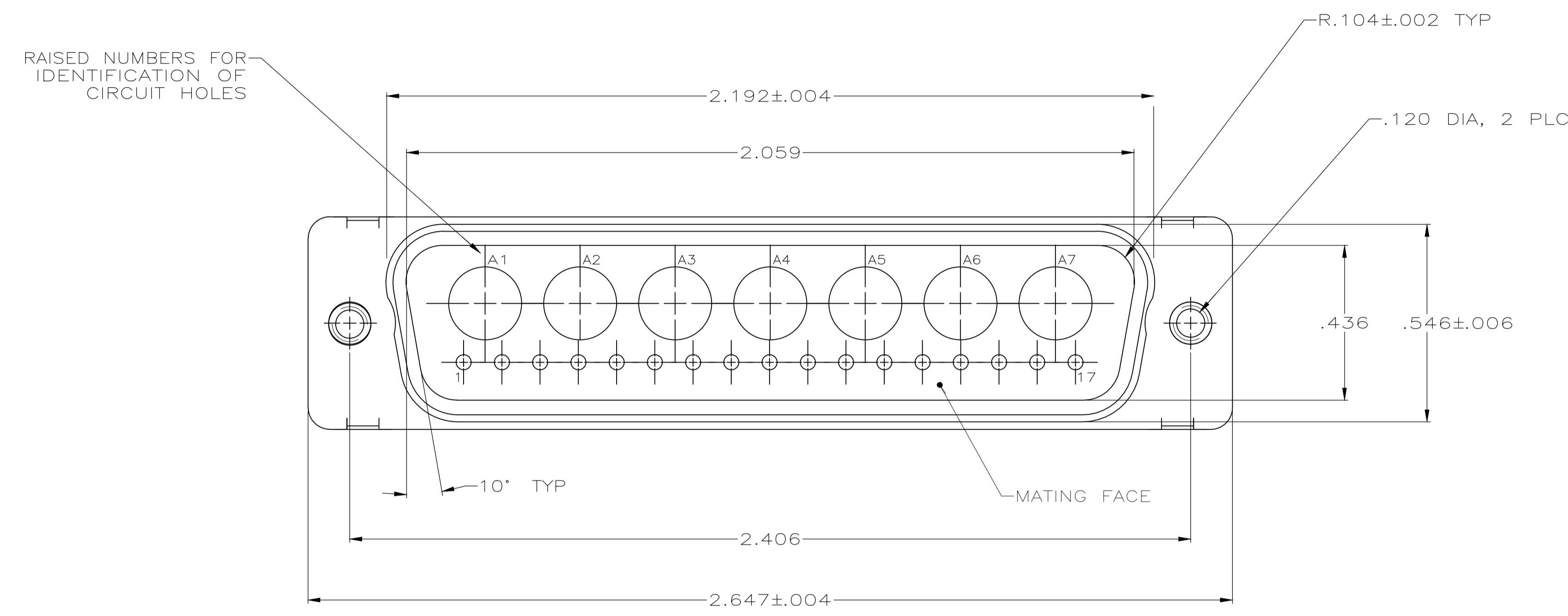
Contact us

Tel: +86-755-8981 8866 Fax: +86-755-8427 6832

Email & Skype: info@chipsmall.com Web: www.chipsmall.com

Address: A1208, Overseas Decoration Building, #122 Zhenhua RD., Futian, Shenzhen, China





1. THIS PLUG WILL MATE WITH ANY 24C7, SIZE 5 RECEPTACLE IN AMPLIMITE SERIES.
2. MAXIMUM WIRE INSULATION TO BE USED WITH THIS PLUG IS .068 DIA.
3. STAINLESS STEEL RETENTION ARE INCLUDED IN INSERT ASSEMBLY.
4. THIS CONNECTOR ACCEPTS SIZE 20 PIN SIGNAL CONTACTS. NOT SUPPLIED WITH CONNECTOR.
5. INSERTION/EXTRACTION TOOL USED FOR SIZE 20 PIN SIGNAL CONTACTS IS 91067-2.
6. USE 7 POWER OR COAX PIN CONTACTS. CONSULT PRODUCT ENGR. FOR MORE DETAILS.

~~UL/CSA DESIGNATION STAMPED IN THIS AREA.~~

446631-1
PART NO

| | | | | | | | | | | | | | | | | | |
|--|--------|--|--------|----------------------------------|--------|-------|--------|-------|--------|-------|--------|--------|--------|------------------------|--|---------------|--|
| THIS DRAWING IS A CONTROLLED DOCUMENT. | | DIN MANJUNATH G.M. 27-May-15 | | TE Connectivity | | | | | | | | | | | | | |
| DIMENSIONS: INCHES | | TOLERANCES UNLESS OTHERWISE SPECIFIED: | | APVD CHARLES THOMAS 27-May-15 | | | | | | | | | | | | | |
| <table border="1"> <tr><td>0 PLC</td><td>± .005</td></tr> <tr><td>1 PLC</td><td>± .005</td></tr> <tr><td>2 PLC</td><td>± .005</td></tr> <tr><td>3 PLC</td><td>± .005</td></tr> <tr><td>4 PLC</td><td>± .005</td></tr> <tr><td>ANGLES</td><td>± .005</td></tr> </table> | | 0 PLC | ± .005 | 1 PLC | ± .005 | 2 PLC | ± .005 | 3 PLC | ± .005 | 4 PLC | ± .005 | ANGLES | ± .005 | NAME CHARLES THOMAS | | RESTRICTED TO | |
| 0 PLC | ± .005 | | | | | | | | | | | | | | | | |
| 1 PLC | ± .005 | | | | | | | | | | | | | | | | |
| 2 PLC | ± .005 | | | | | | | | | | | | | | | | |
| 3 PLC | ± .005 | | | | | | | | | | | | | | | | |
| 4 PLC | ± .005 | | | | | | | | | | | | | | | | |
| ANGLES | ± .005 | | | | | | | | | | | | | | | | |
| MATERIAL SEE CALLOUTS | | FINISH SEE CALLOUTS | | APPLICATION SPEC | | | | | | | | | | | | | |
| WEIGHT | | SIZE A1 | | CAGE CODE 00779 | | | | | | | | | | | | | |
| CUSTOMER DRAWING | | SCALE 4:1 | | SHEET 1 OF 1 | | | | | | | | | | | | | |
| REV | | DATE | | REV | | | | | | | | | | | | | |