



Chipsmall Limited consists of a professional team with an average of over 10 year of expertise in the distribution of electronic components. Based in Hongkong, we have already established firm and mutual-benefit business relationships with customers from,Europe,America and south Asia,supplying obsolete and hard-to-find components to meet their specific needs.

With the principle of “Quality Parts,Customers Priority,Honest Operation,and Considerate Service”,our business mainly focus on the distribution of electronic components. Line cards we deal with include Microchip,ALPS,ROHM,Xilinx,Pulse,ON,Everlight and Freescale. Main products comprise IC,Modules,Potentiometer,IC Socket,Relay,Connector.Our parts cover such applications as commercial,industrial, and automotives areas.

We are looking forward to setting up business relationship with you and hope to provide you with the best service and solution. Let us make a better world for our industry!



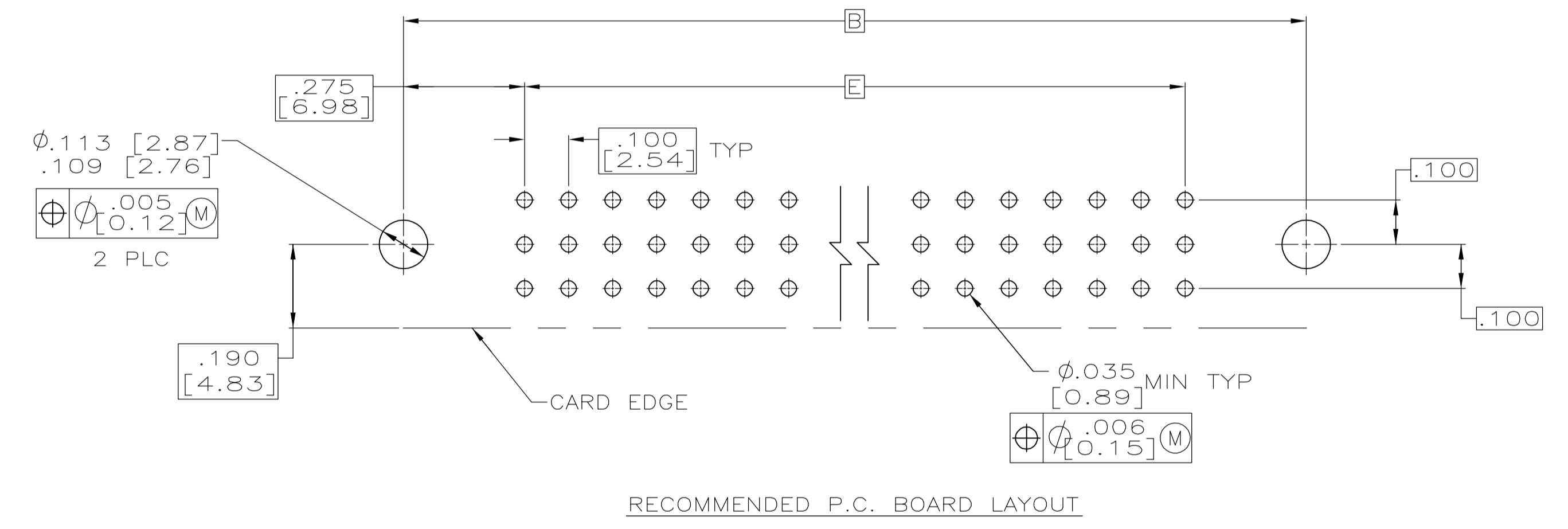
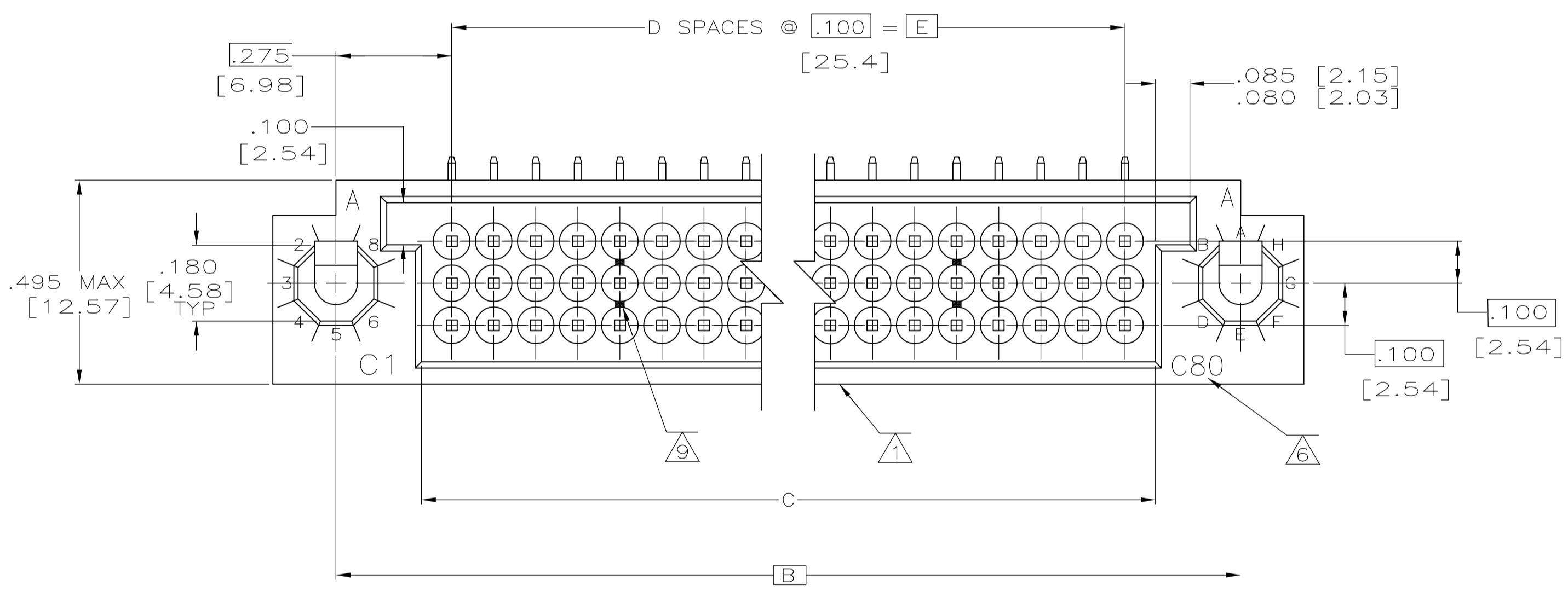
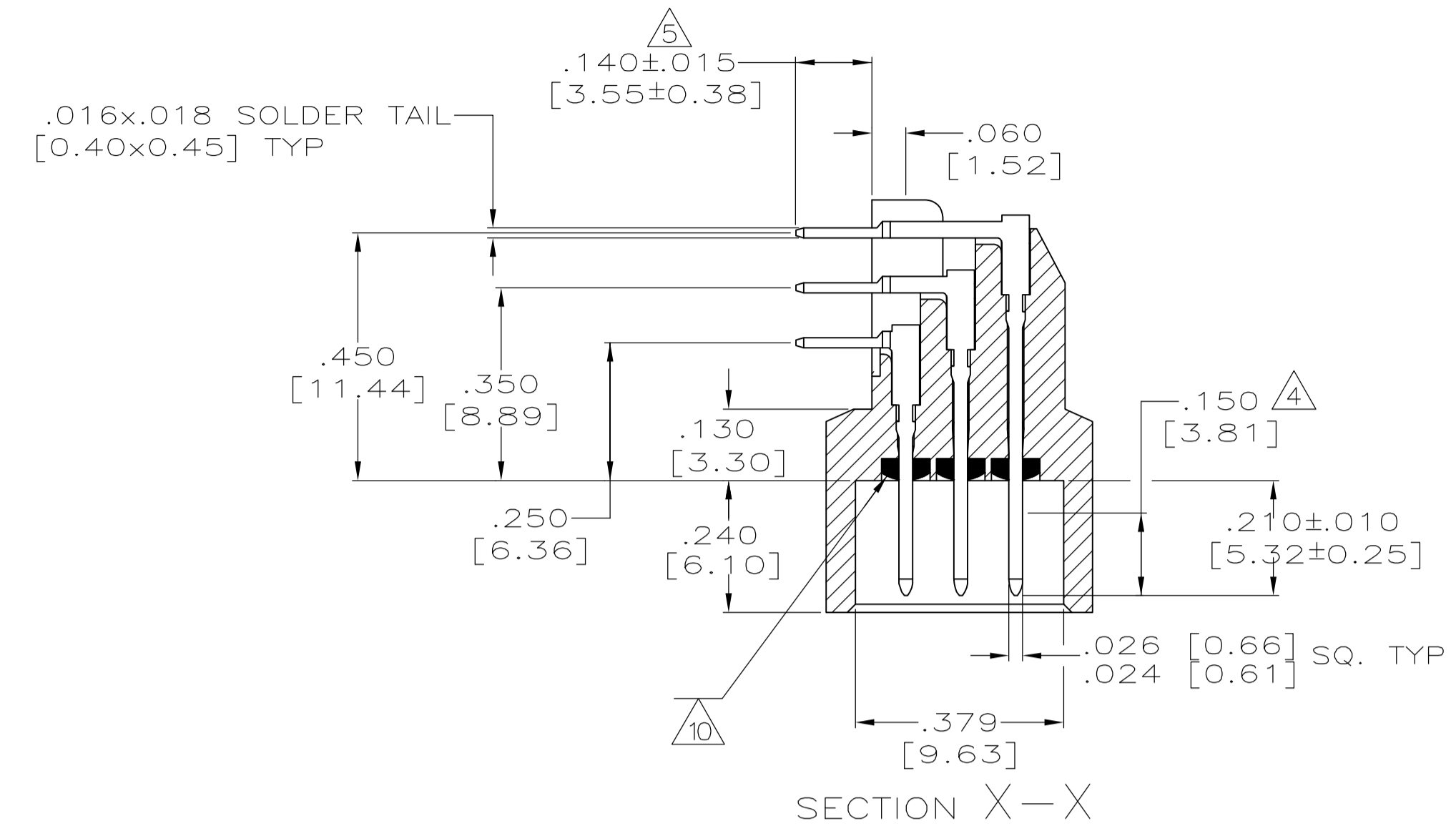
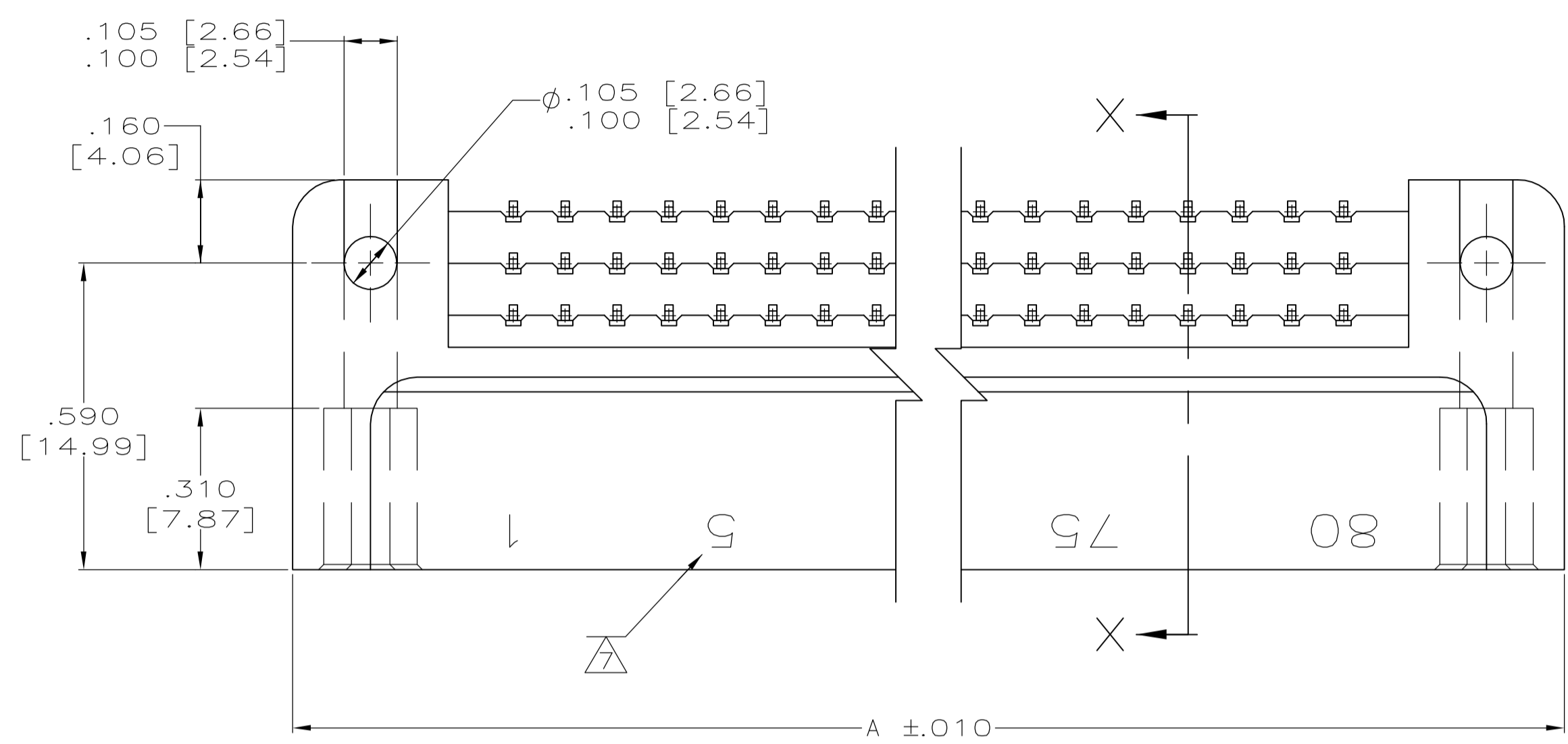
Contact us

Tel: +86-755-8981 8866 Fax: +86-755-8427 6832

Email & Skype: info@chipsmall.com Web: www.chipsmall.com

Address: A1208, Overseas Decoration Building, #122 Zhenhua RD., Futian, Shenzhen, China





- ① MILITARY PART NO., 00779, DATE CODE, PART NO. AND AMP MARKED THIS SIDE.
- ② HOUSING MAT'L: POLYPHENYLENE SULFIDE, GST-40F PER MIL-M-24519.
- ③ CONTACT MAT'L: BRASS PER QQ-B-626.
- ④ CONTACT FINISH: .000050" [0.00127] GOLD OVER .000050" [0.00127] NICKEL IN CONTACT AREA.
- ⑤ CONTACT FINISH: .000100" [0.00254] TIN-LEAD OVER .000050" [0.00127] NICKEL
- ⑥ LETTERS INDICATING OUTSIDE ROWS AND NUMBERS INDICATING END CAVITIES (ROW C ONLY) MARKED THIS SURFACE.
- ⑦ NUMBERS INDICATING EVERY FIVE CAVITIES MARKED, BOTH SIDES.
- ⑧ MEETS ALL REQUIREMENTS OF MIL-C-55302.
- ⑨ LINES INDICATING EVERY FIVE CAVITIES MARKED ON MATING FACE, EXCEPT END CAVITIES, STARTING AT POSN. #1.
- ⑩ EPOXY SEALANT TO PREVENT WICKING OF FLUXES AND CONFORMAL COATING INTO THE CONTACT ENGAGEMENT AREA.

M55302/129-16	6.400 [162.56]	64	6.544 [166.21]	6.950 [176.53]	7.250 [184.15]	195	1-446852-0
M55302/129-12	4.400 [111.76]	44	4.544 [115.41]	4.950 [125.73]	5.250 [133.35]	135	446852-9
M55302/129-18	7.900 [200.66]	79	8.044 [204.31]	8.450 [214.63]	8.750 [222.25]	240	446852-8
M55302/129-17	6.900 [175.26]	69	7.044 [178.91]	7.450 [189.23]	7.750 [196.85]	210	446852-7
M55302/129-15	5.900 [149.86]	59	6.044 [153.51]	6.450 [163.83]	6.750 [171.45]	180	446852-6
M55302/129-14	5.400 [137.16]	54	5.544 [140.81]	5.950 [151.13]	6.250 [158.75]	165	446852-5
M55302/129-13	4.900 [124.46]	49	5.044 [128.11]	5.450 [138.43]	5.750 [146.05]	150	446852-4
M55302/129-11	3.900 [99.06]	39	4.044 [102.71]	4.450 [113.03]	4.750 [120.65]	120	446852-3
M55302/129-10	3.400 [86.36]	34	3.544 [90.01]	3.950 [100.33]	4.250 [107.95]	105	446852-2
M55302/129-09	2.900 [73.66]	29	3.044 [77.31]	3.450 [87.63]	3.750 [95.25]	90	446852-1
MILITARY P/N	E	D	C	B	A	POSN.	PART NO.

THIS DRAWING IS A CONTROLLED DOCUMENT.

DIMENSIONS: INCHES	TOLERANCES UNLESS OTHERWISE SPECIFIED:	DIN C.C.THOMAS 5-7-90	Tyco Electronics Corporation Harrisburg, PA 17105-3608
0 PLC ± -	1 PLC ± -	CHK D.MILLER 5-25-90	
2 PLC ± -	3 PLC ± .005 [0.13]	APVD	NAME
4 PLC ± -	ANGLES ± -	PRODUCT SPEC	PIN HEADER ASS'Y, RIGHT ANGLE, .100
MATERIAL	FINISH	APPLICATION SPEC	SIZE CASE CODE DRAWING NO. RESTRICTED TO
		WEIGHT	A1 00779 C=446852
CUSTOMER DRAWING		SCALE 4:1	SHEET 1 OF 1 REV B