



Chipsmall Limited consists of a professional team with an average of over 10 year of expertise in the distribution of electronic components. Based in Hongkong, we have already established firm and mutual-benefit business relationships with customers from,Europe,America and south Asia,supplying obsolete and hard-to-find components to meet their specific needs.

With the principle of "Quality Parts,Customers Priority,Honest Operation,and Considerate Service",our business mainly focus on the distribution of electronic components. Line cards we deal with include Microchip,ALPS,ROHM,Xilinx,Pulse,ON,Everlight and Freescale. Main products comprise IC,Modules,Potentiometer,IC Socket,Relay,Connector.Our parts cover such applications as commercial,industrial, and automotives areas.

We are looking forward to setting up business relationship with you and hope to provide you with the best service and solution. Let us make a better world for our industry!



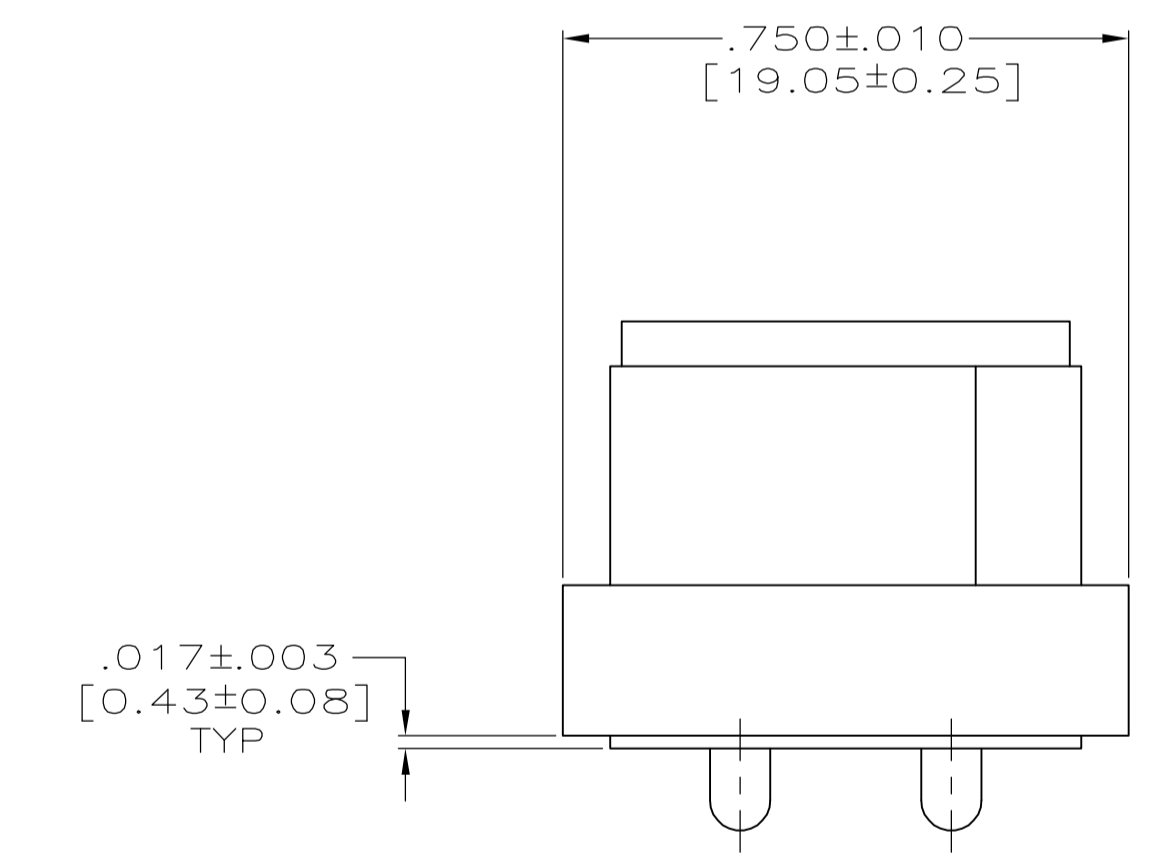
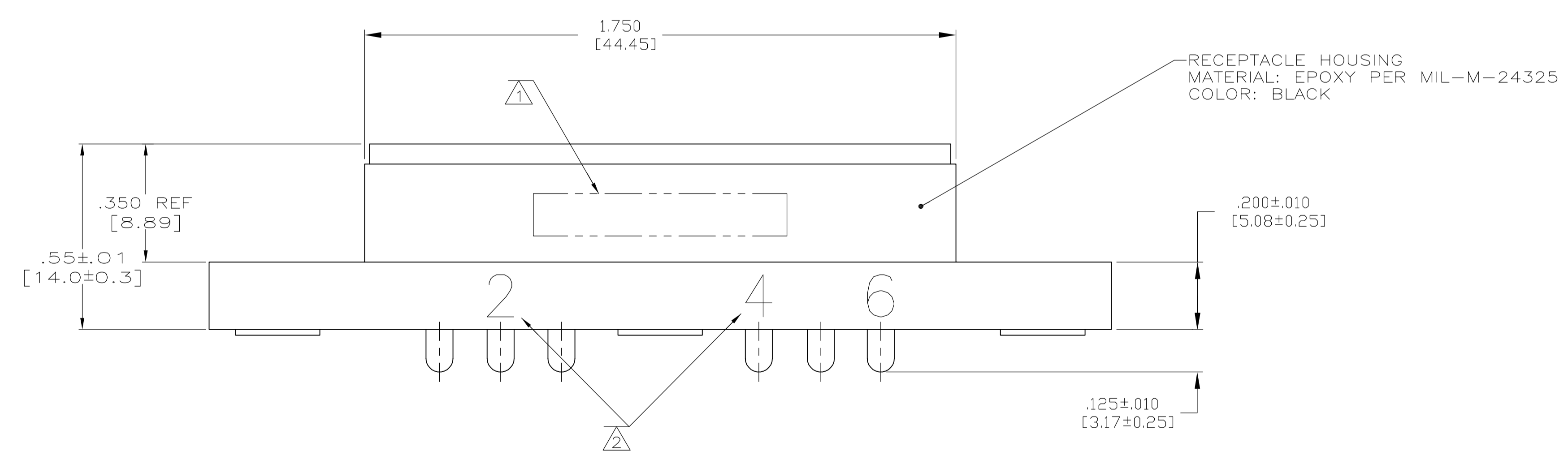
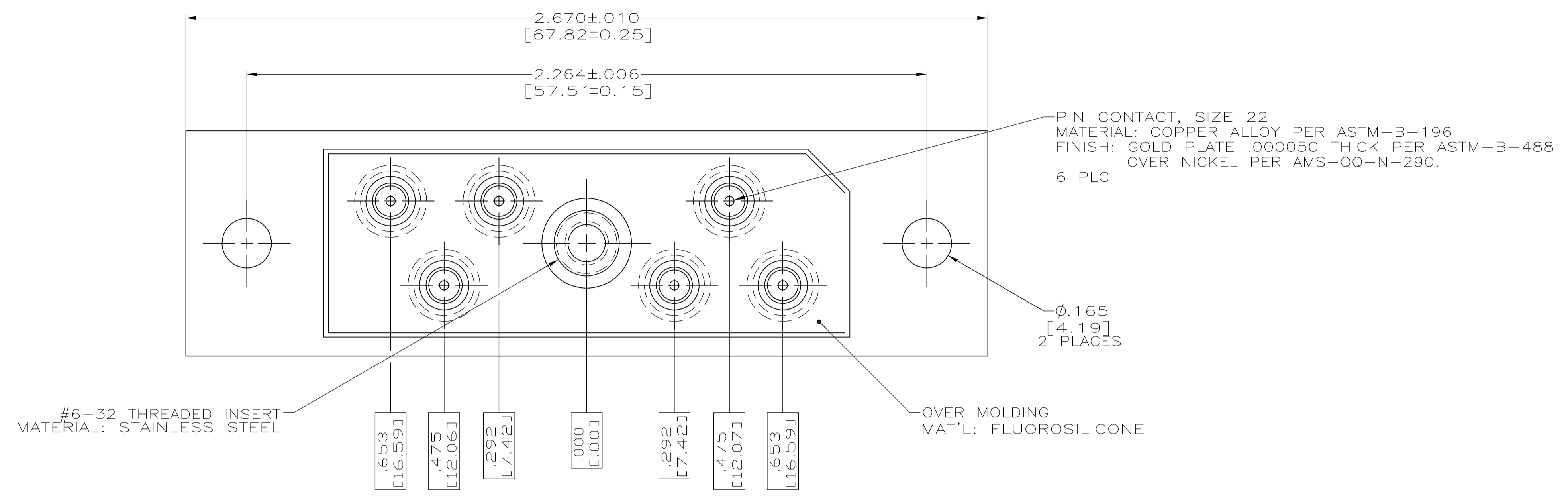
Contact us

Tel: +86-755-8981 8866 Fax: +86-755-8427 6832

Email & Skype: info@chipsmall.com Web: www.chipsmall.com

Address: A1208, Overseas Decoration Building, #122 Zhenhua RD., Futian, Shenzhen, China





△ CUSTOMER P/N 10088468-102 AMP, AMP P/N & DATE CODE
 WHITE INK STAMPED IN THIS AREA.

△ PIN IDENTIFICATION NUMBERS WHITE INK STAMPED IN
 AREAS SHOWN .125 HIGH, BOTH SIDES.

446947-1
 PART NUMBER

THIS DRAWING IS A CONTROLLED DOCUMENT.		DWN C.C.THOMAS	10AUG05	Tyco Electronics Corporation Harrisburg, Pa 17105-3608	
DIMENSIONS: INCHES [mm]		CHK D.EABY	8-10-05	NAME RCPT ASSY, RETANGULAR, LGH 6 POSITION	
TOLERANCES UNLESS OTHERWISE SPECIFIED:		APD D.EABY	8-10-05	PRODUCT SPEC	
0 PLC ± -		APPLICATION SPEC		RESTRICTED TO	
1 PLC ± -		SIZE		CAGE CODE	
2 PLC ± -		A1		00779	
3 PLC ± .005 [0.13]		DRAWING NO		C=446947	
4 PLC ± -		WEIGHT		CUSTOMER DRAWING	
ANGLES ± -		SCALE		4:1	
FINISH -		SHEET		1 OF 1	
		REV		E	