



Chipsmall Limited consists of a professional team with an average of over 10 year of expertise in the distribution of electronic components. Based in Hongkong, we have already established firm and mutual-benefit business relationships with customers from,Europe,America and south Asia,supplying obsolete and hard-to-find components to meet their specific needs.

With the principle of “Quality Parts,Customers Priority,Honest Operation,and Considerate Service”,our business mainly focus on the distribution of electronic components. Line cards we deal with include Microchip,ALPS,ROHM,Xilinx,Pulse,ON,Everlight and Freescale. Main products comprise IC,Modules,Potentiometer,IC Socket,Relay,Connector.Our parts cover such applications as commercial,industrial, and automotives areas.

We are looking forward to setting up business relationship with you and hope to provide you with the best service and solution. Let us make a better world for our industry!



## Contact us

Tel: +86-755-8981 8866 Fax: +86-755-8427 6832

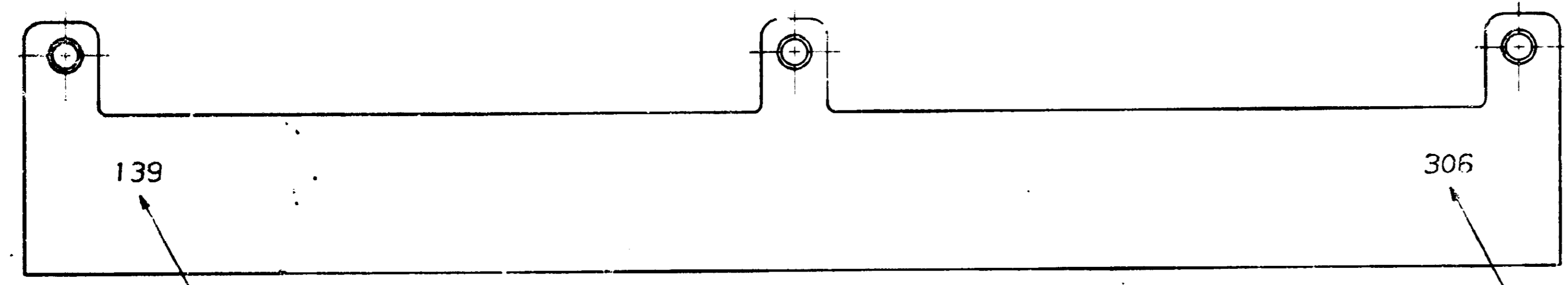
Email & Skype: info@chipsmall.com Web: www.chipsmall.com

Address: A1208, Overseas Decoration Building, #122 Zhenhua RD., Futian, Shenzhen, China

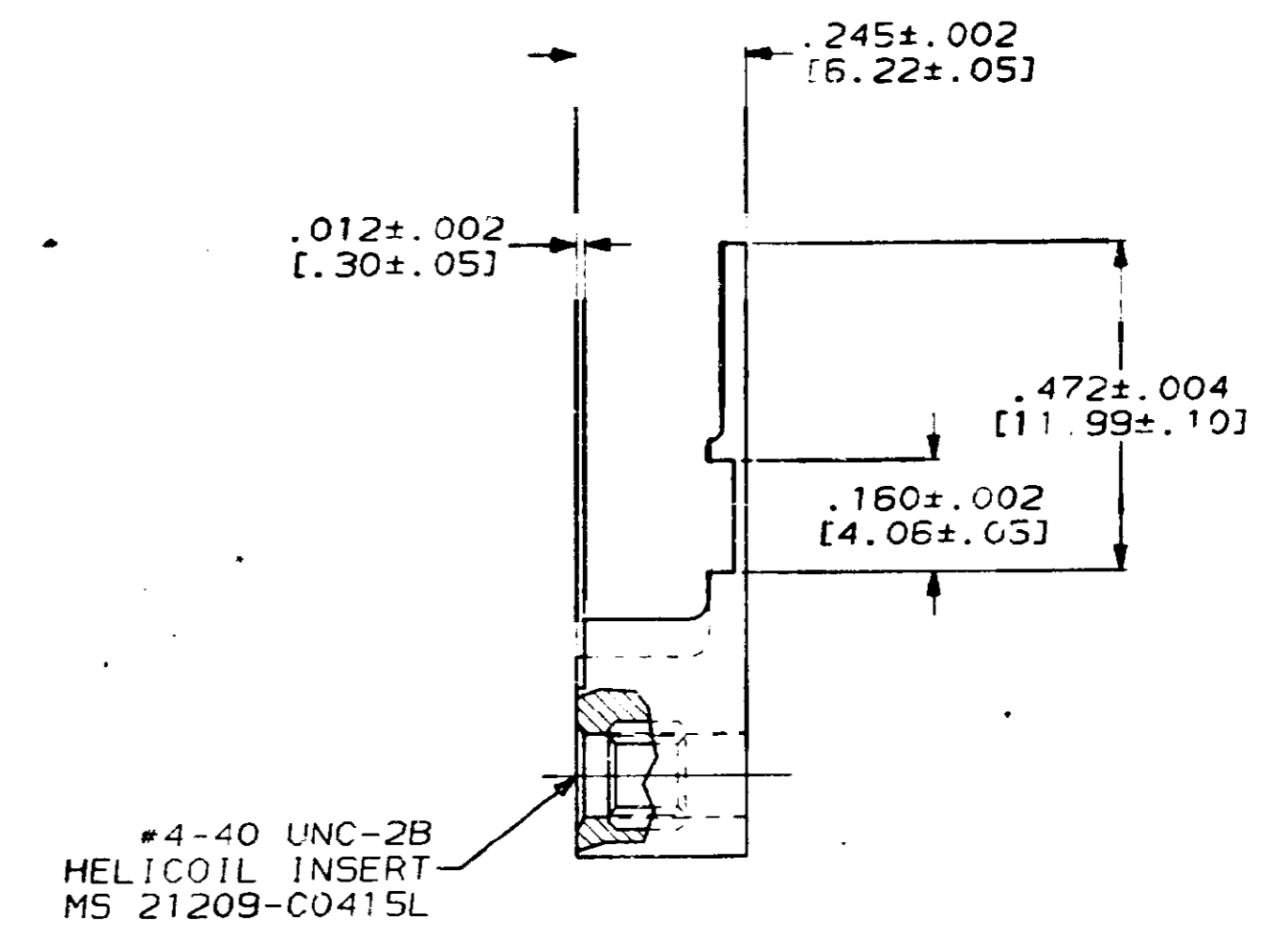
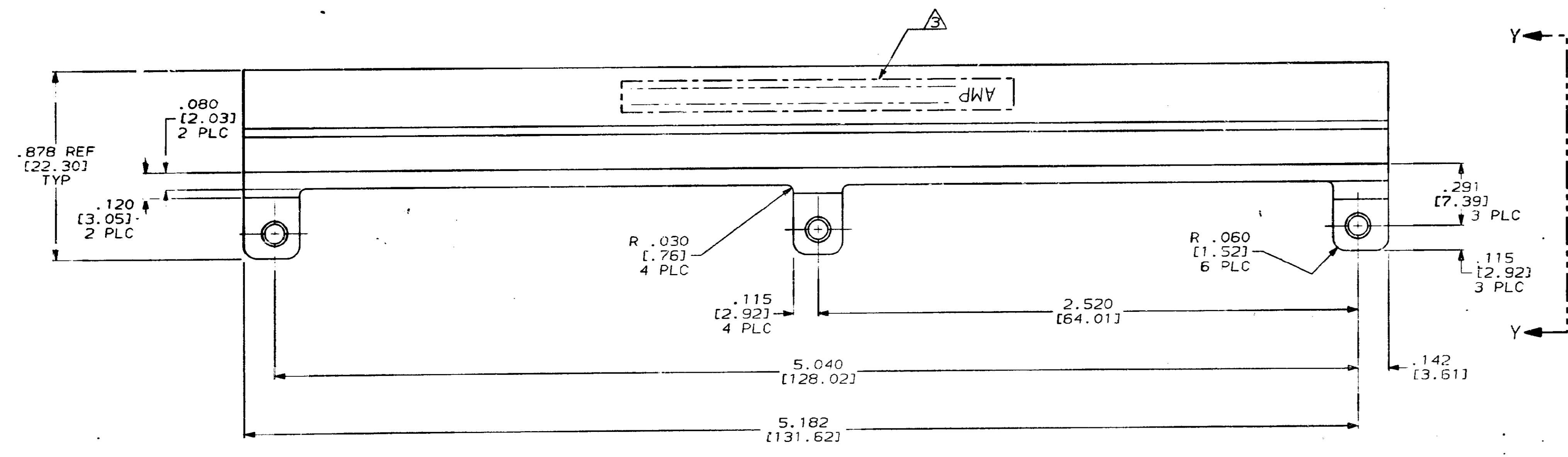
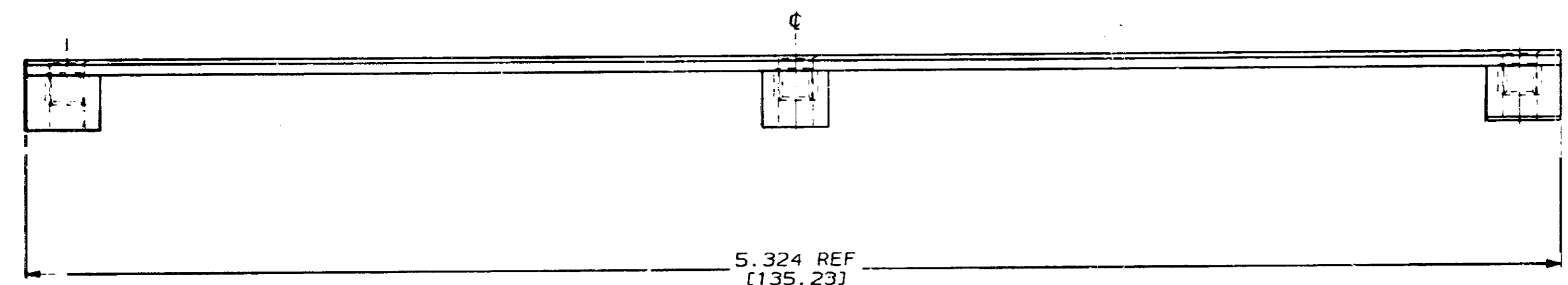


DRAWING MADE IN THIRD ANGLE PROJECTION  
 THIS DRAWING IS UNCLASSIFIED  
 RELEASED FOR PUBLICATION  
 BY AMP INCORPORATED. ALL INTERNATIONAL RIGHTS RESERVED.

REV	DATE	DESCRIPTION	BY	APPD
0	01-09-89	RELEASED, HAS 63-4820-39	JMN	JMN
A	04-14-90	REV PER ECN DF-2961	ETG	ETG
B	03-22-90	REV PER ECN DF-2957	ETG	ETG
C	08-21-90	REV PER ECN DF-3520	ETG	ETG



- 1 MATERIAL: ALUMINUM, ASTM B 221-ALLOY 6061-T6.
- 2 FINISH: CHROMATE CONVERSION PER MIL-C-5541, CLASS 3.
- 3 INK STAMP AMP, AMP P/N, DATE CODE AND FSCM NO. IN THIS AREA PER MIL-STD-1285 AND MIL-STD-202, METHOD 215.
- 4 INK STAMP NUMBERS "139" AND "306" IN AREA SHOWN PER MIL-STD-1285 AND MIL-STD-202, METHOD 215.



VIEW Y-Y  
SCALE 4:1

447006-1  
PART NO

DR 12-13-89 B.W. BLAIR CHK 01-02-90 J.M. NORTON APPD 01-02-90 J.M. NORTON APPD 01-03-90 D.E. SMITH PRODUCT SPEC -		<b>AMP</b> AMP INCORPORATED Harrisburg, Pa. 17105	
DC NOT SCALE PRINT. UNLESS SPECIFIED DIMENSIONS IN INCHES [mm] TOLERANCES ON: 2 PLC DEC ± 3 PLC DEC ± .005 [.13] ANGLES ±		NAME <b>SHELL ASSEMBLY,          B-SIDE, HDI-6ROW</b>	
FINISH 2	APPLICATION SPEC -	SIZE <b>D</b>	FSCM NO 00779
WEIGHT -	SCALE 3:1	DRAWING NO 447006	SHEET 1 OF 1

CUSTOMER DRAWING