



Chipsmall Limited consists of a professional team with an average of over 10 year of expertise in the distribution of electronic components. Based in Hongkong, we have already established firm and mutual-benefit business relationships with customers from,Europe,America and south Asia,supplying obsolete and hard-to-find components to meet their specific needs.

With the principle of "Quality Parts,Customers Priority,Honest Operation,and Considerate Service",our business mainly focus on the distribution of electronic components. Line cards we deal with include Microchip,ALPS,ROHM,Xilinx,Pulse,ON,Everlight and Freescale. Main products comprise IC,Modules,Potentiometer,IC Socket,Relay,Connector.Our parts cover such applications as commercial,industrial, and automotives areas.

We are looking forward to setting up business relationship with you and hope to provide you with the best service and solution. Let us make a better world for our industry!



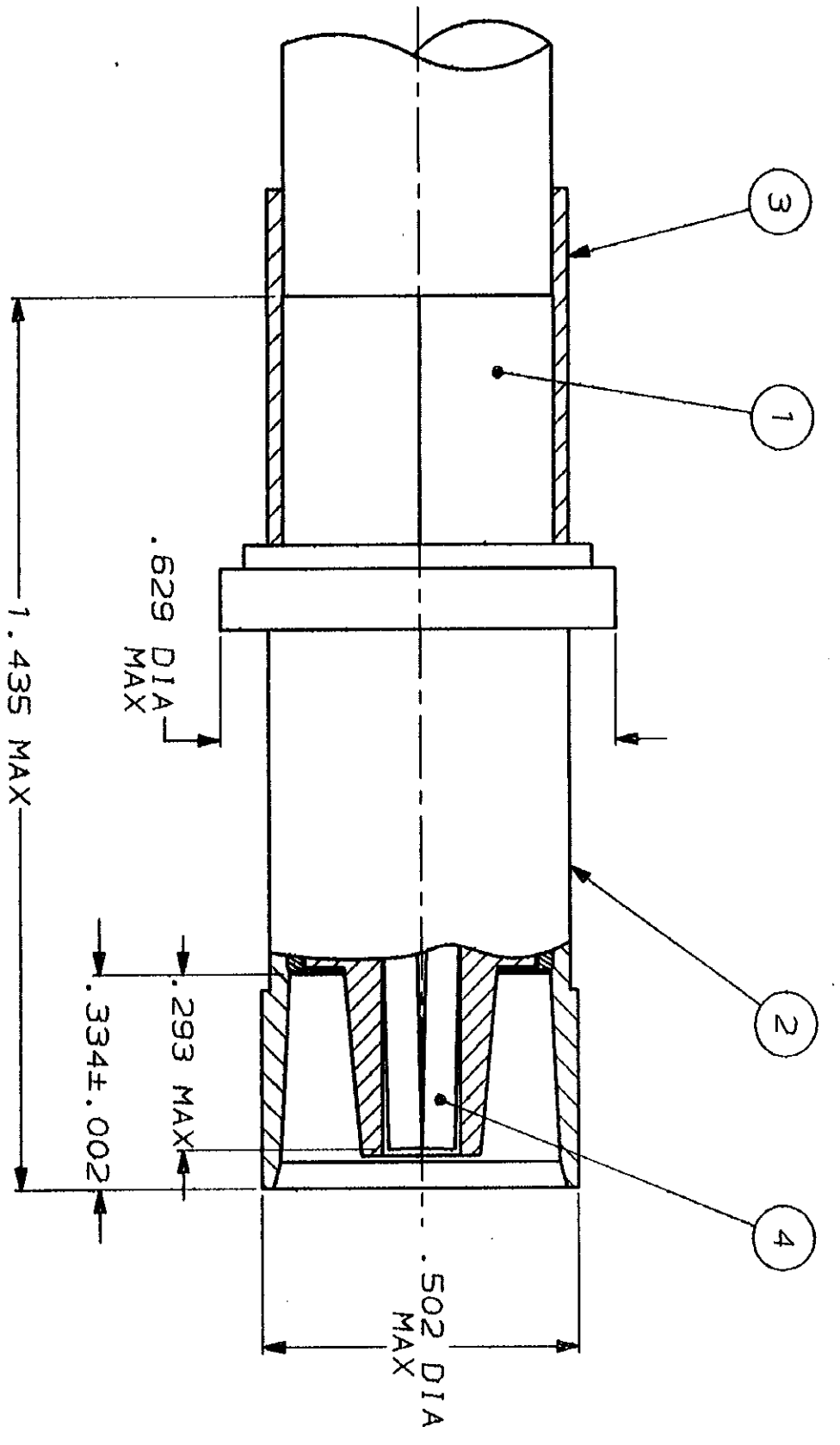
Contact us

Tel: +86-755-8981 8866 Fax: +86-755-8427 6832

Email & Skype: info@chipsmall.com Web: www.chipsmall.com

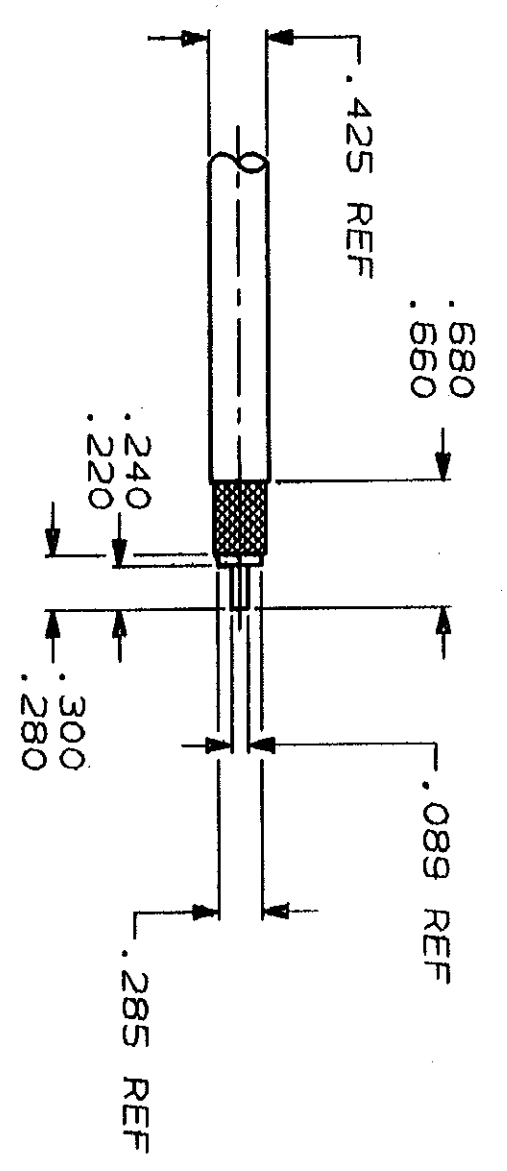
Address: A1208, Overseas Decoration Building, #122 Zhenhua RD., Futian, Shenzhen, China





1. FOR USE WITH RG-214/U
2. BRAID CRIMP: USE MILITARY TOOL M22520/5-01, WITH DIE SET M22520/5-25, CAVITY A OR EQUIVALENT
3. CENTER CONTACT CRIMP: USE MILITARY TOOL M22520/5-01, WITH DIE SET M22520/5-25, CAVITY B OR EQUIVALENT

RECOMMENDED STRIP LENGTH
 SCALE 1:1



LOC	DIST	REV	DATE	APPD
DF	X0	0	RELEASED NPR 90-0064	PY

QTY	PART NO	DESCRIPTION	ITEM NO
1	447091-3	CONTACT, FEMALE	4
1	228143-4	HEAT SHRINK TUBING	3
1	447101-1	SOCKET ASSEMBLY	2
1	446556-9	FERRULE	1

DR	P. YEAGER	2-13-90	NAME	AMP INCORPORATED Merrilldale, Pa. 17105
CHK	J. CABARLO	2-26-90		
APPD	R. HOSLER	2-28-90		

FINISH		SIZE	FSCM NO	DRAWING NO
		C	00779	447087-1
APPLICATION SPEC		SCALE	4:1	SHEET 1 OF 1

COAXIAL CONTACT,
 SOCKET, SIZE 1

CUSTOMER DRAWING